

ROAD TRANSPORT (GENERAL) REGULATION 2013

Rowing Boat Trailer Combination Exemption Notice 2017

I, Roger Weeks, Director Compliance, Roads and Maritime Services, pursuant to Clause 50M of the Road Transport (General) Regulation 2013, exempt motor vehicle and trailer combinations to which this Notice applies from the requirements of Clauses 50L(1)(a)(iii), 50L(1)(f) & 50L(2)(a) of Part 3A to the Road Transport (General) Regulation 2013 on the basis of the provisions in the Schedule of this Notice.

ROGER WEEKS
Director Compliance
Roads and Maritime Services
17 November 2017

SCHEDULE

PART 1 – PRELIMINARY

1.1 Citation

This Notice may be cited as the ***Rowing Boat Trailer Combination Exemption Notice 2017***.

1.2 Commencement

This Notice takes effect on and from the date of publication in the *New South Wales Government Gazette*.

1.3 Effect

This Notice remains in force up to and including 31 October 2022 unless it is amended or repealed earlier.

1.4 Interpretation

- 1.4.1 Unless stated otherwise in this Notice, the words and expressions used in this Notice have the same meaning as those defined in the *Road Transport Act 2013* and the statutory rules.
- 1.4.2 Except where a contrary intention is indicated, the notes in the text of this Notice do not form part of this Notice.

PART 2 – APPLICATION

2.1 Application

2.1.1 This Notice applies to a motor vehicle and trailer combination:

- (i) Which has a Gross Vehicle Mass or Gross Combination Mass of 4.5 ton or less.
- (ii) Which comprises:
 - (a) A motor vehicle
 - (b) A trailer designed to carry a load that is a rowing boat commonly known as a dragon boat, outrigger canoe, kayak, surf ski, rowing shell or a similar rowing.
- (iii) where the trailer load comprises a vessel as described in 2.1.1(ii)(b).

2.1.2 Where the trailer's rear overhang (ROH) together with the rear projection (RP) of its load extends more than 3.7 m from the trailer's rear overhang line, the combination must operate similar to a heavy vehicle combination, and in accordance with:

- (i) The general operating conditions made under Part 2, Division 1 of Schedule 1 to the **Multi-state Class 1 Load Carrying Vehicles Dimension Exemption Notice 2016 (No. 1)** provided on the Roads and Maritime webpage at [NSW Oversize Load Carrying Vehicles](#)
- (ii) The route and travel restrictions made under Appendix 2 to the **Class 1 Load Carrying Vehicles Notice 2014** provided on the NHVR website at [NSW State Transitional notices](#).

2.1.3 Failure to comply with the Notices at 2.1.2 (i) or (ii) when required to do so renders the driver or registered operator of the combination liable to an offence against clause 50C of the Road Transport (General) Regulation 2013.

NOTE: a vehicle combination operating under this Notice is considered an eligible vehicle for the purposes of the *Multi-state Class 1 Load Carrying Vehicles Dimension exemption Notice 2016 (No. 1)*, as amended

PART 3 – DIMENSIONS

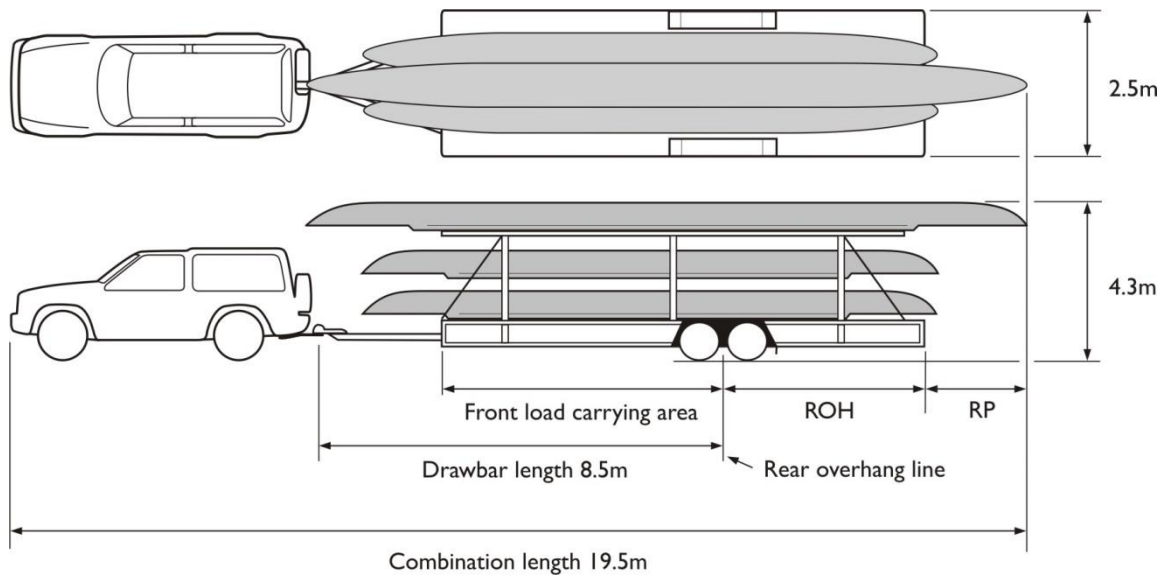
3.1 Dimension Limits

As far as is practicable, the length and width of a load projecting beyond the rear of the trailer must be minimised. Please refer to **Diagram 1** for more information.

NOTE: Rear projection (RP) means the distance between the rear of the vehicle and the rear of the load.

- 3.1.1 The overall height (H) of the combination and its load must not exceed 4.3 m.
- 3.1.2 The overall width (W) of the combination and its load must not exceed 2.5 m.
- 3.1.3 The trailer's rear overhang (ROH) must not exceed the lessor of 3.7 m or the length of the trailer's front load carrying area.
- 3.1.4 The overall length (OAL) of the combination when loaded must not exceed 19.5 m.

Diagram 1: Dimensions - rowing boats

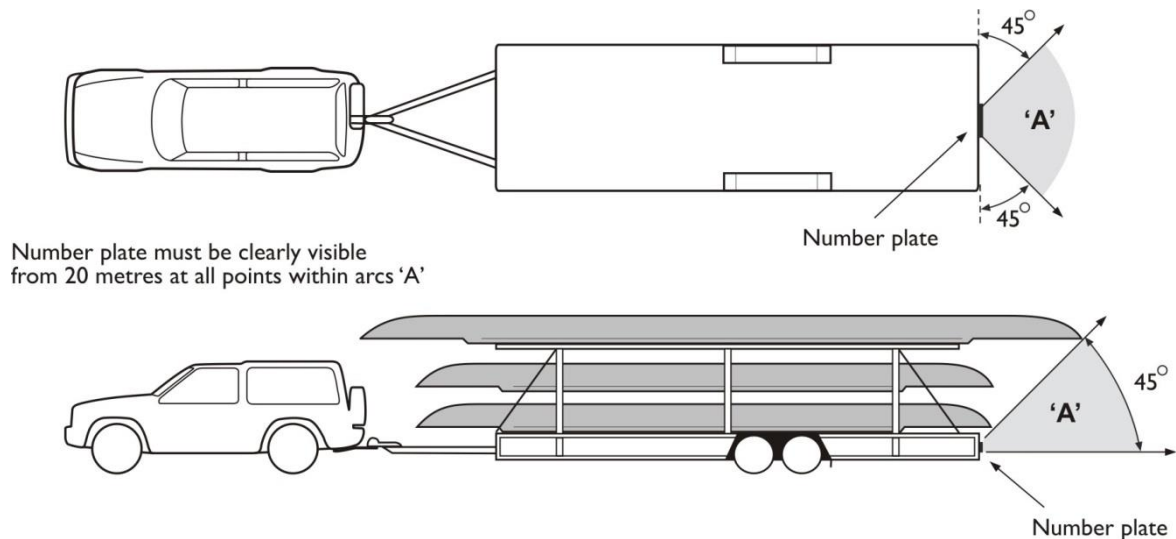


PART 4 – OPERATING, TRAVEL AND OTHER CONDITIONS

4.1 Operating Conditions

- 4.1.1 A copy of this **Notice** must be carried in the driving compartment whenever the combination is operating under this **Notice**, and must be produced when the driver is requested to do so by a police officer or an authorised officer.
- 4.1.2 While operating under this **Notice**, the trailer may only be used for transporting one (or more) of the vessels described in 2.1.1(ii)(b) and the equipment necessary for their use.
- 4.1.3 The registered operator of a combination operating under this **Notice** must ensure that the loaded combination can be safely operated on each intended route.
- 4.1.4 The laden mass of the trailer must not exceed the lesser of:
- the capacity of the towing attachment fitted to the motor vehicle, or
 - the maximum laden mass or Gross Trailer Mass (GTM) for the trailer.
- 4.1.5 Each component vehicle of the combination must comply in all respects with the requirements for that vehicle under the *Road Transport (Vehicle Registration) Regulation 2017*.
- 4.1.6 If the trailer's mandatory lights or reflectors are obscured by its load, additional lights & reflectors complying with the relevant applicable vehicle standards must be attached at the rear of the load. Additional lights and reflectors may be attached to a removable light panel.
- 4.1.7 The trailer's number plates must not be obscured and must be visible within an arc of 45 degrees to the top and sides of the plates as shown in **Diagram 2**. If necessary, the number plate must be relocated to the rear of load and provision made to illuminate that number plate.

Diagram 2: Number plate visibility



- 4.1.8 If the rear projection of the load (RP) extends past the rear of the trailer by more than 1.2 m, there is attached at the load's rear, as a warning to other road users of that projecting load:
- (i) A device complying with Clause 50L(2)(b)
 - (ii) If used at night or in hazardous weather conditions causing reduced visibility, a lamp complying with Clause 50L(2)(c).
- 4.1.9 The trailer must be fitted with a DO NOT OVERTAKE TURNING VEHICLE warning sign with a surface area of at least 0.125 m^2 (eg 250 mm X 500 mm) and with characters that are black in colour and in block letters at least 50 mm high (see Diagram 3).

Diagram 3: DO NOT OVERTAKE TURNING VEHICLE sign



- 4.1.10 The trailer must also be fitted with an OVERSIZE vehicle warning sign with a surface area of at least 0.540 m^2 (eg 450mm X 1200mm) and with characters that are black in colour and in block letters at least 200mm high (see Diagram 4).

Diagram 4: OVERSIZE vehicle sign



Surface area of plate must be at least 0.540m²

- 4.1.11 Each warning sign must be located as close as possible to the rear of the combination and have a yellow surface complying with Class 1 of Australian/New Zealand Standard AS/NZS 1906.1: 2017 *Retroreflective materials and devices for road control purposes - Retroreflective sheeting*, as amended.