

Use this form to register a trailer over 4.5 tonnes ATM without a NSW inspection.

1. Manufacturer / Dealer / Distributor

Entity name:	Phone number:
Address:	Fax number:
	Australian Company Number (ACN)
Contact person:	<input type="text"/> <input type="text"/> <input type="text"/> <input type="text"/> <input type="text"/> <input type="text"/> <input type="text"/> <input type="text"/> <input type="text"/>

2. Vehicle details

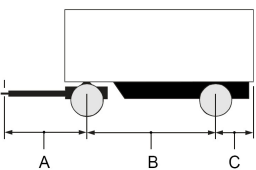
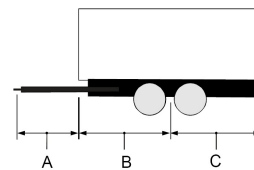
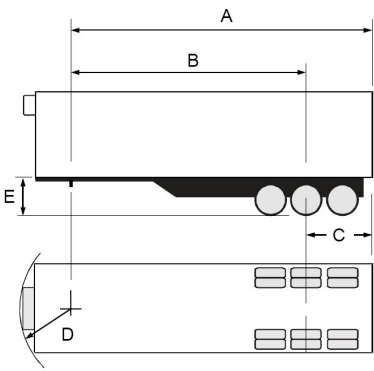
Make:	Model:
Description or shape:	Date of manufacture: month / year
VIN / chassis number (to be used with identical vehicles)	
1. <input type="text"/>	Colour: _____
2. <input type="text"/>	Colour: _____
3. <input type="text"/>	Colour: _____
4. <input type="text"/>	Colour: _____
5. <input type="text"/>	Colour: _____
6. <input type="text"/>	Colour: _____
7. <input type="text"/>	Colour: _____
8. <input type="text"/>	Colour: _____
Compliance plate approval number:	TARE weight: ATM / GVM:
Axle code (if known): <small>Please see description of Heavy Vehicle / Trailer form for a list of axle codes.</small>	Brake type:

3. Overall dimension details

The legal limits for vehicle dimensions are found at www.nhvr.gov.au

Overall length:	Overall height:	Overall width: <small>(excluding mirrors and signalling devices)</small>	Rear overhang:
-----------------	-----------------	---	----------------

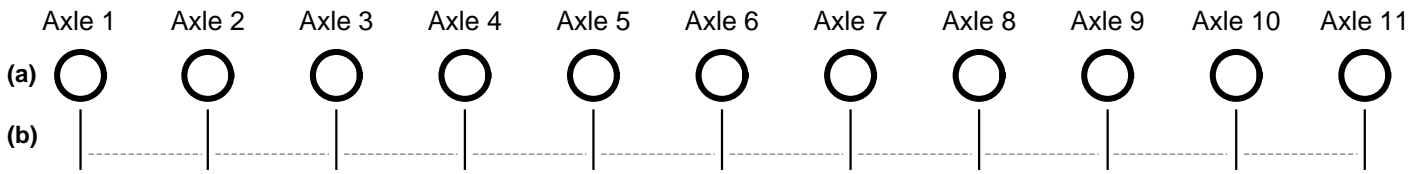
4. Vehicle dimension details (tick applicable trailer type)

<input type="checkbox"/> Dog trailer  <input type="checkbox"/> Pig trailer  <input type="checkbox"/> Converter dolly trailer A. Drawbar length B2. Forward loading space _____ B1. Wheelbase OR C. Rear overhang _____ _____	<input type="checkbox"/> Semi trailer  A. Point of articulation to rear of trailer _____ B. Point of articulation to foremost extremity of rear overhang (also known as 'S Dimension') _____ C. Rear overhang _____ D. Radius forward of trailer kingpin (includes any trailer fittings eg refrigeration unit) _____ E. Deck height _____
---	---

5. Gross mass and axle loads (to be completed in every case)

A) Complete trailer description for vehicles up to 11 axles (complete diagram below). If vehicle has more than 11 axles, show the following details on a separate sheet of paper and attach to this application.

- (a) Write the number of tyres in circles
- (b) Write the distance between axle centres (axle spacings).



B) For vehicles with up to 5 axle groups use table below. If the vehicle has more than 5 axle groups, show details on a sheet of paper and attach it to the application.

	Group 1	Group 2	Group 3	Group 4	Group 5
Number of axles in the group					
Overall axle width (mm) 					
Tyre size and ply rating of narrowest tyre in axle group					
Load sharing axle group YES or NO					
Manufacturer's maximum axle group ratings (tonnes)					
Manufacturer's maximum suspension ratings (tonnes)					

Notes: **The manufacturer's ratings are not to be exceeded.** Refer to ATM / GTM ratings on vehicle compliance plate or check with the manufacturer. The manufacturer's axle and suspension ratings are not to be exceeded.

6. Allowable dimension and mass limits

Are the vehicles described within the allowable dimension and mass limits prescribed by National Heavy Vehicle Regulations?

Yes ► Go to Section 7 **OR**

No ► Vehicle Standards Exemption will be required. If the trailer is part of an accepted PBS combination attach NHVR PBS approval and record document number in the space provided. In other cases attach the Certificate of Approved Operation and record the document number. Continue to Section 7.

Approval number:

Visit www.nhvr.gov.au for NHVR vehicle standards exemption requirements.

7. Declaration and privacy statement

I acknowledge that this information is provided for the purpose of Road Transport Legislation, held by Roads and Maritime Services, of 20-44 Ennis Road, Milsons Point NSW 2061. I understand that if I do not supply the requested details and/or do not sign/confirm this declaration registration may not be issued.

I acknowledge that personal information about me held by Roads and Maritime may be disclosed inside and outside NSW to driver licensing and vehicle registration agencies, law enforcement agencies, providers of compulsory third party (bodily injury) insurance and solicitors in regard to motor vehicle accidents.

I acknowledge that personal information about me held by Roads and Maritime may be disclosed for the purposes of verifying the contents of this application; the administration of driver licensing and vehicle registration legislation and law enforcement; and for the purposes of the protection of public revenue and road safety. I understand that I have a right to access and where necessary seek amendment of personal information about me held by Roads and Maritime in accordance with the provisions of the *Privacy and Personal Information Protection Act 1998* (NSW) and/or the *Privacy Act 1988* (Cth).

In support of this certification I have completed the applicable parts and declare the vehicles described comply with Heavy Vehicle (Vehicle Standards) National Regulations.

The information given in this form is complete, true and correct in every detail. I understand that failure to provide complete, true and correct information may result in the registration being not processed or refused.

Under Road Transportation Legislation, it is an offence to attempt to register a vehicle by false statement or any misrepresentation or other dishonest means.

Certifier's signature (*manufacturer / dealer / distributor*)

Date _____ / _____ / _____
day month year

Roads and Maritime Office Use

If the certifier has ticked "No" at Section 6, attach copies of associated exemptions or permits to the application and record any approval numbers and relevant conditions on the registration certificate and related records.

Name (*print*)

Signature

Date

_____ / _____ / _____
day month year