



- Use this form **only** for written-off motor vehicles recorded on the Written-Off Vehicle Register (WOVR). **TfNSW Reference Number**
- **This Certificate must be presented in its original form and without alteration to the Vehicle Identification Inspection Unit (VIU) within three months of the issue date.**

Please note: From **31 January 2013**, all repaired and re-registered written-off vehicles will show that the vehicle has been reported to the NSW Written-off Vehicle Register on the Certificate of Registration.

1 Motor vehicle details

VIN

--	--	--	--	--	--	--	--	--	--	--	--	--	--	--	--	--	--	--	--	--

Make / Model

2 Repair details

Repairs conducted by:

(Please tick the appropriate box)

Licensed Repairer

Vehicle Owner

Repairs conducted in accordance with:

Manufacturers repair guidelines

Industry recognised standard

Date of Inspection

day /
 month /
 year

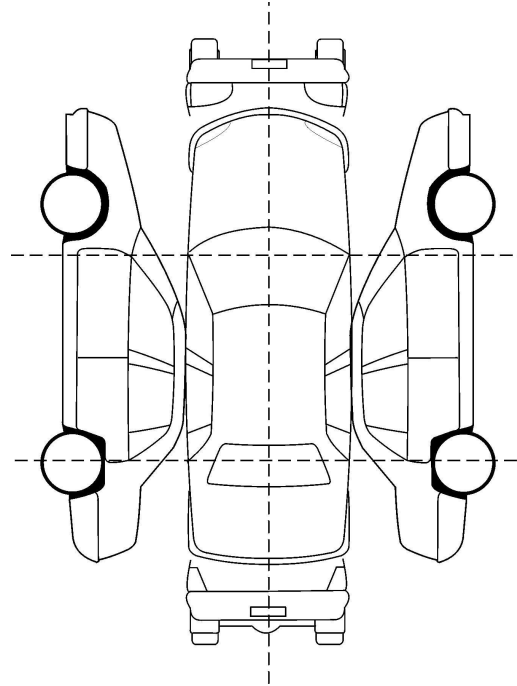
Please provide details of the reference documents used when assessing the vehicle repairs for certification.

If vehicle repairs were conducted by vehicle owner please provide information in relation to the inspection process undertaken to confirm damage that has impacted the structural integrity of the vehicle has been repaired to the vehicle manufacturers repair guidelines or industry recognised standard.

Electronic Control Systems (air bags, traction control, ABS). Please provide details of person/company (including name, address and repairer license number) who undertook these repairs.

3 Summary of repairs conducted

Please mark the vehicle diagram below with numbers 1, 2, 3 etc the areas that were repaired and specify in the table what repairs were conducted. If there is insufficient space please attach a separate document.



No	Details of repair

continued page 2

