

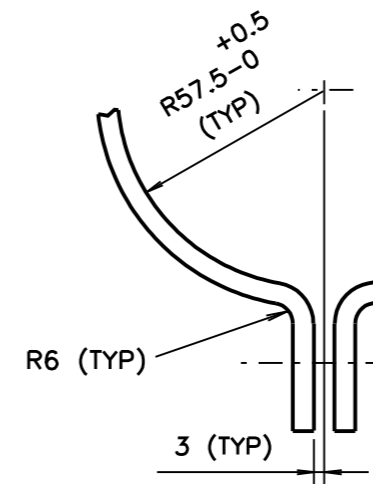
NOTES

1. TOLERANCE OF ALL DIMENSIONS UNLESS OTHERWISE INDICATED:

- UP TO AND INCLUDING 100mm TO BE  $\pm 0.5$ mm.
- OVER 100mm TO BE  $\pm 1$ mm.
- ANGULAR TOLERANCE  $\pm 1^\circ$ .

TOLERANCE OF THE FLAT STEEL OF BRACKET TO COMPLY WITH AS 3679.

- 2. ALL BURRS, SHARP EDGES & WELDING SCALE TO BE REMOVED BEFORE GALVANISING.
- 3. ALL WELDS TO BE CONTINUOUS FILLET IN ACCORDANCE WITH AS 1554 PART 1.
- 4. BRACKET TO BE HOT DIP GALVANISED IN ACCORDANCE WITH AS 1650.
- 5. ITEMS 2 TO 9 TO BE SUPPLIED FULLY ASSEMBLED AS SHOWN.

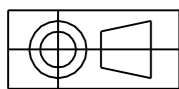


DETAIL A

2 : 1

DIMENSIONS ARE IN MILLIMETRES

ITEM	DESCRIPTION	MATERIAL	FINISH	QTY
9	HEX NUT M10 TO AS 1112	MILD STEEL	GALV TO AS 1214	2
8	SPRING WASHER M10 TO AS 1968	SPRING STEEL	GALV TO AS 1650	2
7	FLAT WASHER M10 LARGE SERIES TO AS 1237	MILD STEEL	GALV TO AS 1650	2
6	CUP HEAD SQUARE NECK BOLT M10 X 30 TO AS 1390	MILD STEEL	GALV TO AS 1650	2
5	HEX NUT M12 TO AS 1112	MILD STEEL	GALV TO AS 1214	2
4	SPRING WASHER M12 TO AS 1968	SPRING STEEL	GALV TO AS 1650	2
3	FLAT WASHER M12 TO AS 1237	MILD STEEL	GALV TO AS 1650	4
2	HEX HD SCREW M12 x 50 TO AS 1111	MILD STEEL	GALV TO AS 1214	2
1	BRACKET 40 x 6 FLAT TO AS 3679	MILD STEEL	GALV TO AS 1650	TO SUIT



A ORIGINAL ISSUE

SUPPLY CAT NO  
35025311

REFERENCE DRAWINGS	
BKT VERTICAL SMALL	VT006-56
BKT VERTICAL LARGE	VT006-57

ROADS AND TRAFFIC AUTHORITY OF NSW  
TRAFFIC SIGNALS

**BRACKET HORIZONTAL SADDLE  
MOUNTING TO A TYPE 2 TRAFFIC SIGNAL POST  
FOR ALL SIGNS**

SCALE 1 : 5 OR AS SHOWN	
SUPERSEDES: -	
DRAWN	RVC 10-09-98
CHECKED	BWT 10-09-98
PASSED	BRIAN TAYLOR 10-09-98

APPROVED: 15-09-98 T YUNG MGR STANDARDS & QUALITY	
ISSUE	A
<b>VT006-58</b>	