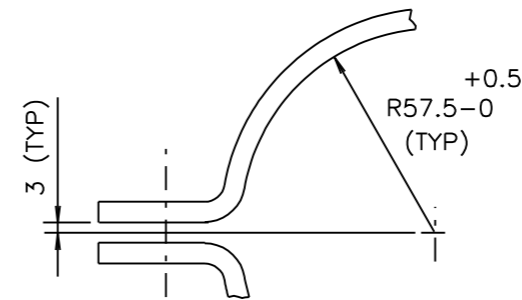


NOTES

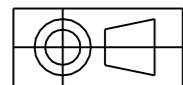
1. TOLERANCE OF ALL DIMENSIONS UNLESS OTHERWISE INDICATED:
 - UP TO AND INCLUDING 100mm TO BE $\pm 0.5\text{mm}$.
 - OVER 100mm TO BE $\pm 1\text{mm}$.
 - ANGULAR TOLERANCE $\pm 1^\circ$.
2. TOLERANCE OF THE FLAT STEEL OF BRACKET TO COMPLY WITH AS 3679.
3. ALL BURRS, SHARP EDGES & WELDING SCALE TO BE REMOVED BEFORE GALVANISING.
4. ALL WELDS TO BE CONTINUOUS FILLET IN ACCORDANCE WITH AS 1554 PART 1.
5. BRACKET TO BE HOT DIP GALVANISED IN ACCORDANCE WITH AS 1650.
6. ITEMS 2 TO 9 TO BE SUPPLIED FULLY ASSEMBLED AS SHOWN.



DETAIL A
2 : 1

DIMENSIONS ARE IN MILLIMETRES

ITEM	DESCRIPTION	MATERIAL	FINISH	QTY
9	HEX NUT M10 TO AS 1112	MILD STEEL	GALV TO AS 1214	2
8	SPRING WASHER M10 TO AS 1968	SPRING STEEL	GALV TO AS 1650	2
7	FLAT WASHER M10 LARGE SERIES TO AS 1237	MILD STEEL	GALV TO AS 1650	2
6	CUP HEAD SQUARE NECK BOLT M10 X 30 TO AS 1390	MILD STEEL	GALV TO AS 1650	2
5	HEX NUT M12 TO AS 1112	MILD STEEL	GALV TO AS 1214	2
4	SPRING WASHER M12 TO AS 1968	SPRING STEEL	GALV TO AS 1650	2
3	FLAT WASHER M12 TO AS 1237	MILD STEEL	GALV TO AS 1650	4
2	HEX HD SCREW M12 x 50 TO AS 1111	MILD STEEL	GALV TO AS 1214	2
1	BRACKET 40 x 6 FLAT TO AS 3679	MILD STEEL	GALV TO AS 1650	TO SUIT



A ORIGINAL ISSUE

SUPPLY CAT NO
35025309

REFERENCE DRAWINGS	
BKT VERTICAL LARGE	VT006-57
BKT HORIZONTAL	VT006-58

ROADS AND TRAFFIC AUTHORITY OF NSW
TRAFFIC SIGNALS

BRACKET VERTICAL SADDLE (SMALL)
MOUNTING TO A TYPE 2 SIGNAL POST
FOR 450mm HIGH SPECIAL STOP SIGN

SCALE	
1 : 5	OR AS SHOWN
SUPERSEDES: -	
DRAWN	RVC 07-09-98
CHECKED	BWT 10-09-98
PASSED	BRIAN TAYLOR 10-09-98

APPROVED: 15-09-98	
T YUNG	
MGR STANDARDS & QUALITY	
ISSUE	A
VT006-56	