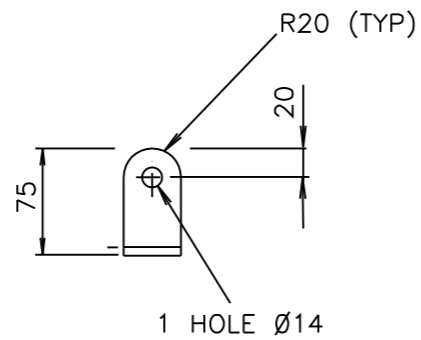


DETAIL A

1 : 2

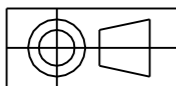


NOTES

1. TOLERANCE OF ALL DIMENSIONS UNLESS OTHERWISE INDICATED:
 - UP TO AND INCLUDING 100mm TO BE ± 0.5 mm.
 - OVER 100mm TO BE ± 1 mm.
 - ANGULAR TOLERANCE $\pm 1^\circ$.

TOLERANCE OF THE FLAT STEEL OF BRACKET TO COMPLY WITH AS 3679.
2. ALL BURRS, SHARP EDGES AND WELDING SCALE TO BE REMOVED BEFORE GALVANISING.
3. ALL WELDS TO BE CONTINUOUS FILLET IN ACCORDANCE WITH AS 1554 PART 1.
4. BRACKET TO BE HOT DIP GALVANISED IN ACCORDANCE WITH AS 1650.
5. ITEMS 2 TO 10 TO BE SUPPLIED FULLY ASSEMBLED AS SHOWN.
6. A PAIR OF LOCK WASHERS (ITEM 10) SHALL BE FITTED TO THE LUG ASSEMBLY (DIMPLE TO DIMPLE).
 LOCK WASHERS ARE TO BE MANUFACTURED TO RTA PLAN VM200-24 AND MAY BE OBTAINED FROM BOB PANICH CONSULTANCY (RYDE) OR ALDRIDGE TRAFFIC SYSTEMS PTY LTD (RHODES).

ITEM	DESCRIPTION	MATERIAL	FINISH	QTY
10	LOCK WASHER REFER PLAN VM200-24	STAINLESS STEEL	NATURAL	2
9	HEX NUT M10 TO AS 1112	MILD STEEL	GALV TO AS 1214	2
8	SPRING WASHER M10 TO AS 1968	SPRING STEEL	GALV TO AS 1650	2
7	FLAT WASHER M10 LARGE SERIES TO AS 1237	MILD STEEL	GALV TO AS 1650	2
6	CUP HEAD SQUARE NECK BOLT M10 X 30 TO AS 1390	MILD STEEL	GALV TO AS 1650	2
5	HEX NUT M12 TO AS 1112	MILD STEEL	GALV TO AS 1214	1
4	SPRING WASHER M12 TO AS 1968	SPRING STEEL	GALV TO AS 1650	1
3	FLAT WASHER M12 TO AS 1237	MILD STEEL	GALV TO AS 1650	2
2	HEX HD SCREW M12 x 40 TO AS 1111	MILD STEEL	GALV TO AS 1214	1
1	BRACKET 40 x 6 FLAT TO AS 3679	MILD STEEL	GALV TO AS 1650	TO SUIT



DIMENSIONS ARE IN MILLIMETRES

A ORIGINAL ISSUE B ISSUE 28-10-98 JI TC2961 ITEM 10 & NOTE 6 ADDED. RVC BWT	SUPPLY CAT NO 35026897	REFERENCE DRAWINGS		ROADS AND TRAFFIC AUTHORITY OF NSW TRAFFIC SIGNALS BRACKET SINGLE MOUNTING (LARGE) FOR 600mm - 900mm HIGH SIGNS	SCALE 1 : 5 UNLESS SHOWN OTHERWISE		APPROVED: 15-09-98 T YUNG MGR STANDARDS & QUALITY							
		BKT SINGLE SMALL	VT006-51		SUPERSEDES: -		ISSUE <table border="1" style="display: inline-table; border-collapse: collapse;"> <tr> <td style="width: 20px; height: 20px;"></td> <td style="width: 20px; height: 20px;"></td> <td style="width: 20px; height: 20px;"></td> <td style="width: 20px; height: 20px;"></td> <td style="width: 20px; height: 20px;"></td> <td style="width: 20px; height: 20px;"></td> </tr> </table>							
		BKT DOUBLE SMALL	VT006-53		DRAWN	RVC 02-09-98								
BKT DOUBLE MEDIUM	VT006-54	CHECKED	BWT 10-09-98											
BKT DOUBLE LARGE	VT006-55	PASSED	BRIAN TAYLOR 10-09-98	VT006-52										
LOCK WASHER	VM200-24													