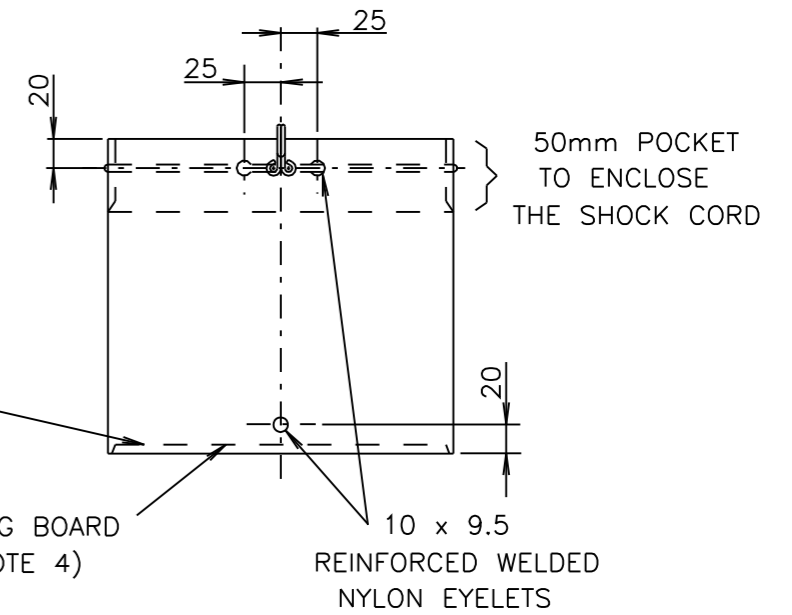
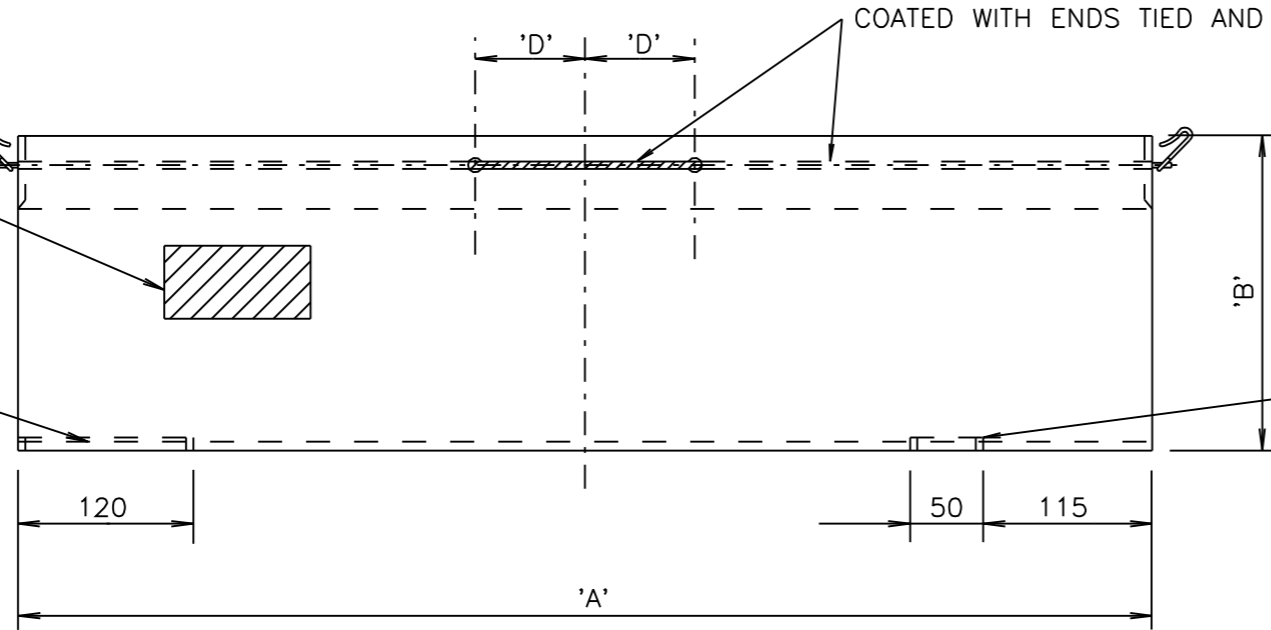


TWO GALVANISED STEEL HOOKS
(SEE DETAIL A)

16mm NYLON SHOCK CORD POLYETHYLENE
COATED WITH ENDS TIED AND CRIMPED

SUGGESTED LOCATION
FOR MARKING
(ON THE INSIDE)
REFER NOTE 5

SEE NOTE 3

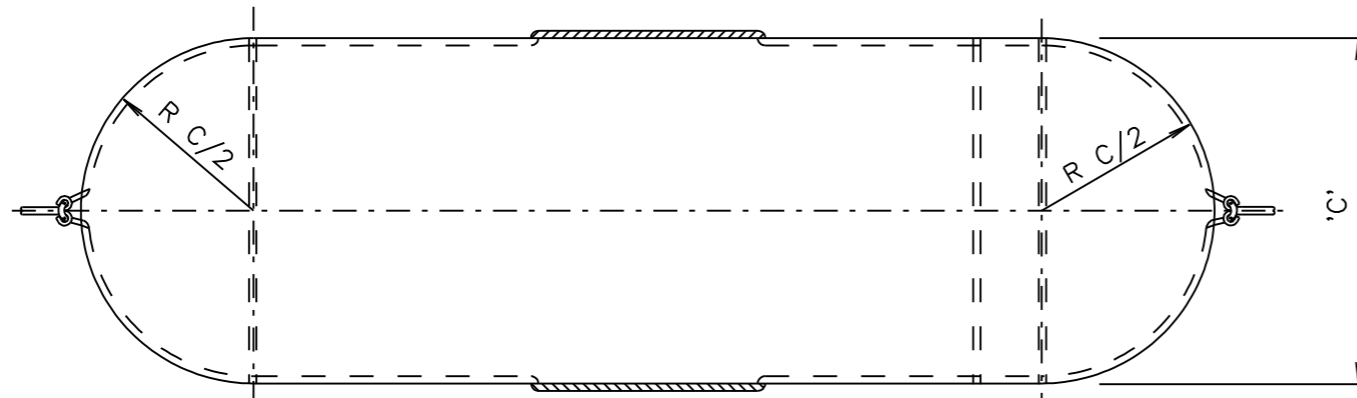


STIFFENING BOARD
(SEE NOTE 4)

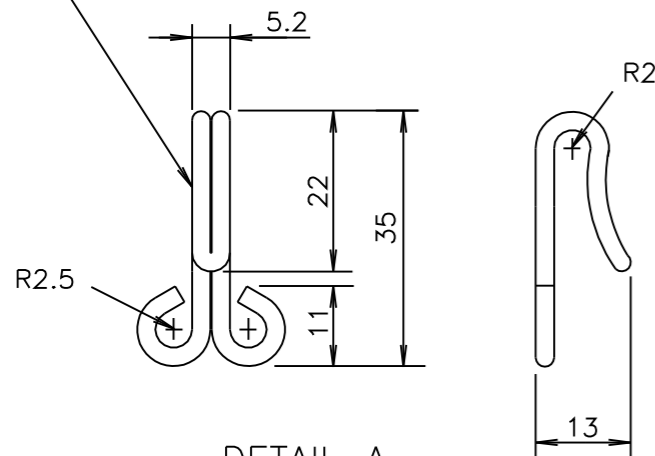
10 x 9.5
REINFORCED WELDED
NYLON EYELETS

NOTES

1. THE MATERIAL FOR THE COVER SHALL BE 840 DENIER NYLON WEAVE COATED WITH PVC AS MANUFACTURED BY PLASTDYNE PRODUCTS PTY LTD No376F-XP 84/55 OR IT'S EQUIVALENT AND SHALL POSSESS THE FOLLOWING PROPERTIES:
 - COLOUR: BLACK;
 - WING RIP TEST: MIN 200N \times 200N WHEN TESTED IN ACCORDANCE WITH AS2001-2-10;
 - COATING ADHESION: MIN 70N/50mm WHEN TESTED IN ACCORDANCE WITH AS1441-5;
 - FLAMMABILITY: SELF EXTINGUISHING WHEN TESTED IN ACCORDANCE WITH AS1441-13;
 - PRODUCT WEIGHT: 670g/m²
 - COATING WEIGHT: 320g/m² (FACE)
150g/m² (BACK).
2. ALL CUT EDGES TO BE INSIDE AND ALL JOINTS TO BE STITCHED WITH HEAVY NYLON THREAD.
3. STIFFENING BOARD RETAINING POCKET AND STRAP TO HAVE PVC COATED NYLON BIAS BRAID BINDING.
4. STIFFENING BOARD, MANUFACTURED IN ACCORDANCE WITH DRG No VM418-2, TO BE FITTED TO EACH COVER BEFORE DELIVERY.
5. MANUFACTURER'S IDENTIFICATION, DATE OF MANUFACTURE AND RTA SUPPLY CATALOGUE NUMBER, SHALL BE LEGIBLY AND DURABLY MARKED ON THE INSIDE OF THE COVER.



Ø2.6 (12 GAUGE SWG)
STEEL WIRE



DETAIL A
GALVANISED STEEL HOOKS
SCALE 1:1

LANTERN SIZE	A	B	C	D	SUPPLY CAT No
Ø200mm	775	215	236	75	18231417
Ø300mm	1070	310	325	100	18231468

C ISSUE 2000-02-08 J/1 TC2687 PLAN REDRAWN. RVC/IH BWT	REFERENCE DRAWINGS		ROADS AND TRAFFIC AUTHORITY OF NSW TRAFFIC SIGNALS TRAFFIC SIGNAL OUT-OF-SERVICE LANTERN COVER (BLACK)	SCALE		APPROVED: 04-09-1986 F HULSCHER MANAGER STANDARDS & QUALITY ISSUE C
	STIFFENING BOARD	VM418-2		SUPERSEDES: ISSUE B		
	OUT OF SERVICE COVER (YELLOW)	VM418-1		DRAWN	DH 04-09-86	
				CHECKED	RB 04-09-86	
				PASSED		
VM418-3						