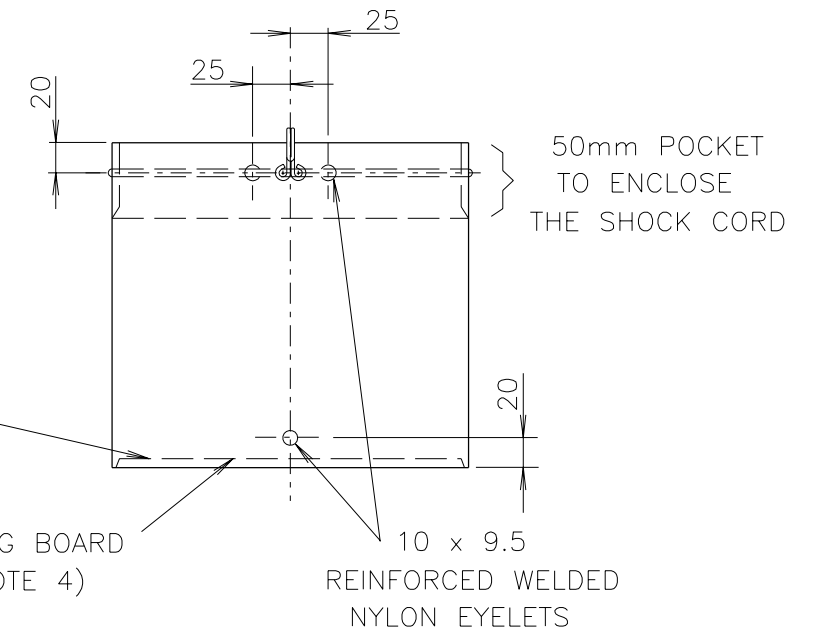
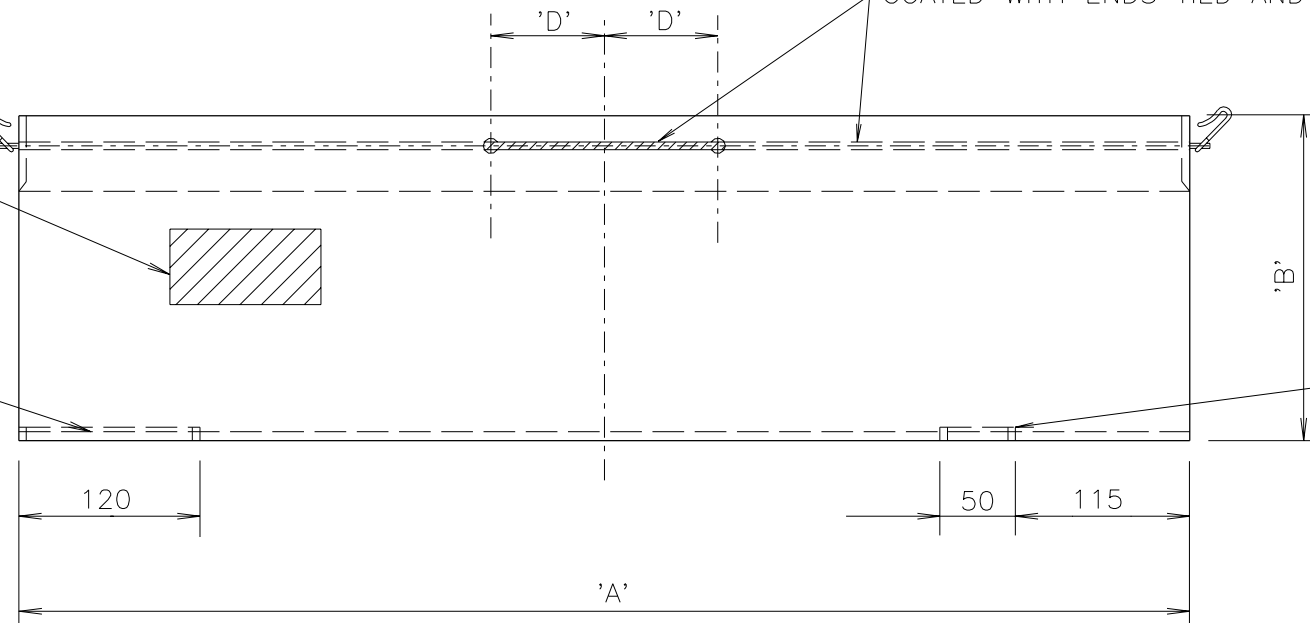


TWO GALVANISED STEEL HOOKS  
(SEE DETAIL A)

16mm NYLON SHOCK CORD POLYETHYLENE  
COATED WITH ENDS TIED AND CRIMPED

SUGGESTED LOCATION  
FOR MARKING  
(ON THE INSIDE)  
REFER NOTE 5

SEE NOTE 3

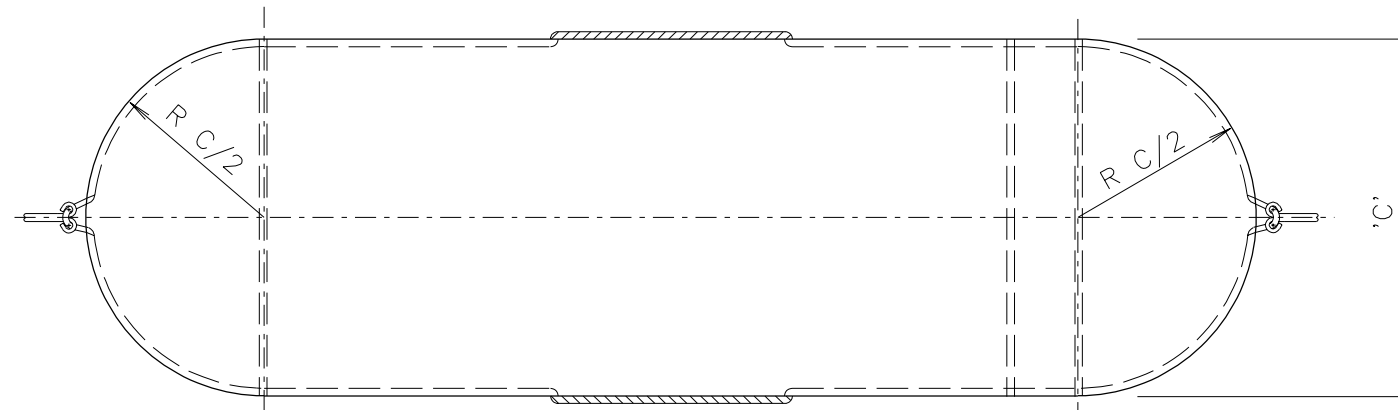


STIFFENING BOARD  
(SEE NOTE 4)

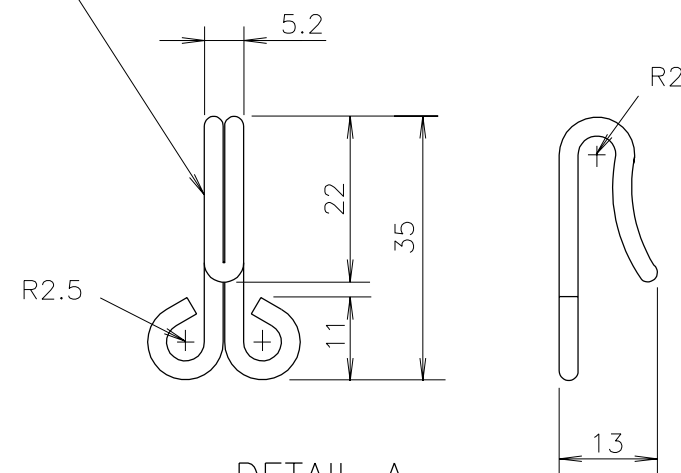
10 x 9.5  
REINFORCED WELDED  
NYLON EYELETS

NOTES

1. THE MATERIAL FOR THE COVER SHALL BE 840 DENIER NYLON WEAVE COATED WITH PVC AS MANUFACTURED BY PLASTDYNE PRODUCTS PTY LTD No376F-XP 84/55 OR IT'S EQUIVALENT AND SHALL POSSESS THE FOLLOWING PROPERTIES:
  - COLOUR: CODE Y14, GOLDEN YELLOW, IN ACCORDANCE WITH AS2700;
  - WING RIP TEST: MIN 200N  $\times$  200N WHEN TESTED IN ACCORDANCE WITH AS2001-2-10;
  - COATING ADHESION: MIN 70N/50mm WHEN TESTED IN ACCORDANCE WITH AS1441-5;
  - FLAMMABILITY: SELF EXTINGUISHING WHEN TESTED IN ACCORDANCE WITH AS1441-13;
  - PRODUCT WEIGHT: 670g/m<sup>2</sup>
  - COATING WEIGHT: 320g/m<sup>2</sup> (FACE)  
150g/m<sup>2</sup> (BACK).
2. ALL CUT EDGES TO BE INSIDE AND ALL JOINTS TO BE STITCHED WITH HEAVY NYLON THREAD.
3. STIFFENING BOARD RETAINING POCKET AND STRAP TO HAVE PVC COATED NYLON BIAS BRAID BINDING.
4. STIFFENING BOARD, MANUFACTURED IN ACCORDANCE WITH DRG No VM418-2, TO BE FITTED TO EACH COVER BEFORE DELIVERY.
5. MANUFACTURER'S IDENTIFICATION, DATE OF MANUFACTURE AND RTA SUPPLY CATALOGUE NUMBER, SHALL BE LEGIBLY AND DURABLY MARKED ON THE INSIDE OF THE COVER.



Ø2.6 (12 GAUGE SWG)  
STEEL WIRE



DETAIL A

GALVANISED STEEL HOOKS  
SCALE 1:1

LANTERN SIZE	A	B	C	D	SUPPLY CAT No
Ø200mm	775	215	236	75	18231212
Ø300mm	1070	310	325	100	18231190

REFERENCE DRAWINGS

STIFFENING BOARD	VM418-2
OUT OF SERVICE COVER (BLACK)	VM418-3

ROADS AND TRAFFIC AUTHORITY OF NSW  
TRAFFIC SIGNALS

TRAFFIC SIGNAL OUT-OF-SERVICE  
LANTERN COVER (YELLOW)

SCALE

SUPERSEDES: ISSUE G		
DRAWN	GC	18-12-85
CHECKED	AD	08-01-86
PASSED	RB	08-01-86

APPROVED: 8-01-1986

F HULSCHER

MANAGER STANDARDS & QUALITY

ISSUE H

VM418-1

H ISSUE 2000-02-02

J/1 TC2567

PLAN REDRAWN.

RVC/IH BWT