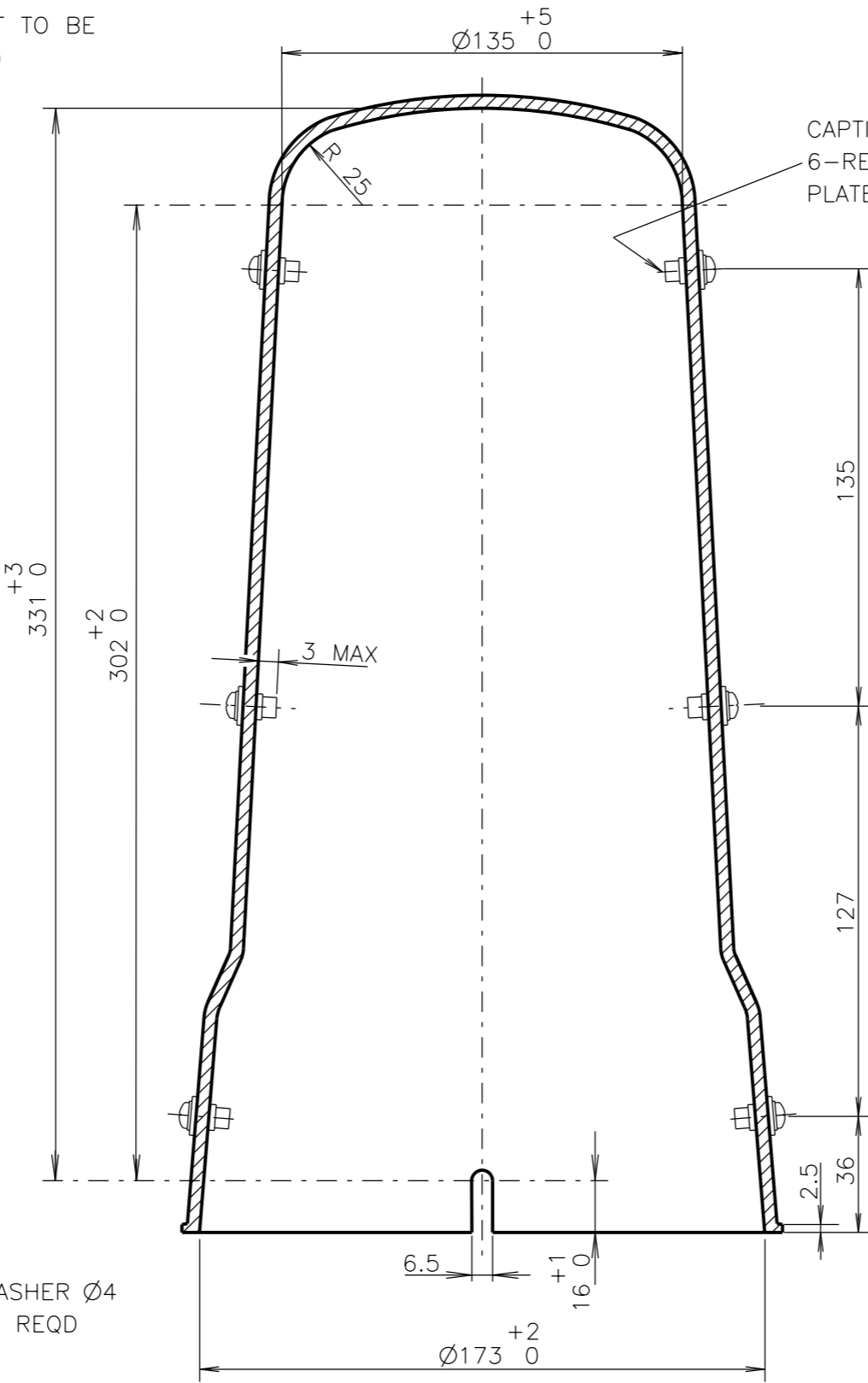
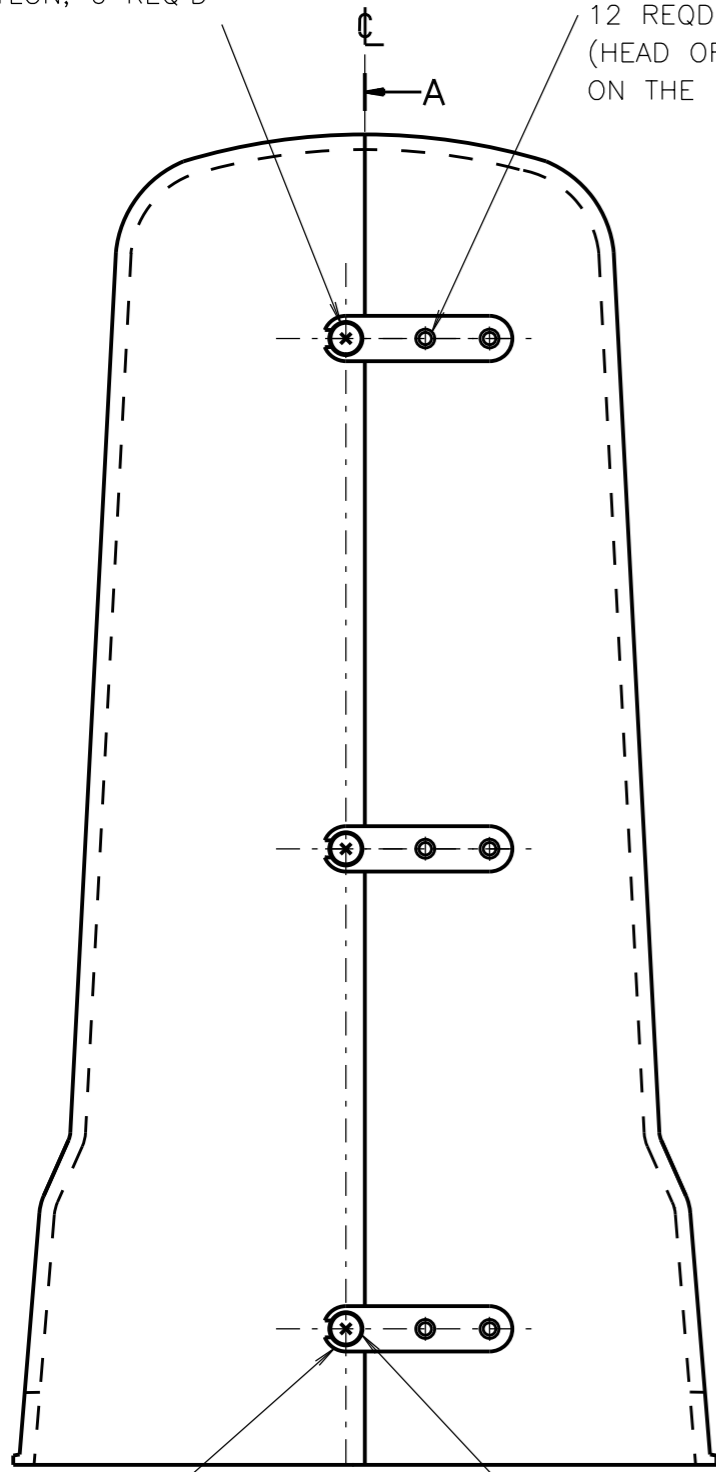
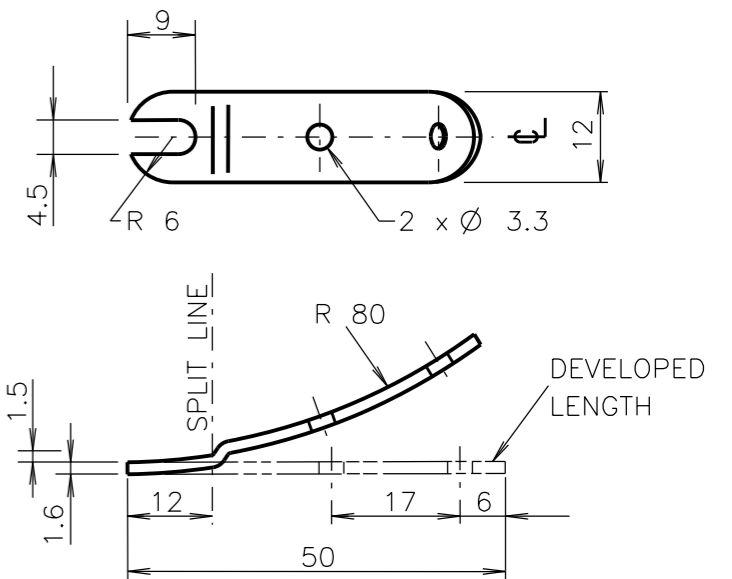


PAN HD SCREW M4 x 8
NYLON, 6 REQ'D

'IMEX' POP SEALED RIVET Ø3.2,
ALUMINIUM ALLOY
12 REQD
(HEAD OF RIVET TO BE
ON THE INSIDE)



SECTION A-A



CLIP DETAIL

SCALE 1 : 1
6 REQD, STAINLESS STEEL, 316 GRADE

MATERIAL: UV STABILISED POLYPROPYLENE.

FINISH: SMOOTH MOULD FINISH.

COLOUR: TO CONFORM WITH AS 2700 COLOUR NO T33,
SMOKE BLUE. PIGMENT TO BE MIXED INTO
MOULDING MATERIAL. REFER TO AS 2339
FOR ADDITIONAL REQUIREMENTS.

GENERAL: THE FINISHED CAP SHALL PASS THE FOLLOWING
TESTS WITHOUT FUNCTIONAL IMPAIRMENT:

- (a) FREE FALL FROM 4 METRES ONTO A CONCRETE SURFACE;
- (b) FIVE DROPS IN DIFFERENT RELEASE ORIENTATIONS.

NOTES

1. MANUFACTURER'S IDENTIFICATION AND DATE OF SUPPLY TO BE MARKED CLEARLY, INDELIBLY AND WEATHER RESISTANT IN A CONVENIENT POSITION INSIDE THE CAP.
2. THE FINIAL CAP SHALL BE COMPATIBLE WITH THE REQUIREMENTS OF AS 2339.
3. VARIATION IN WALL THICKNESS NOT TO EXCEED ±15% OF AVERAGE THICKNESS.

J ISSUE 07-01-93
PLAN REDRAWN
J/1 TC 2302
MATERIAL WAS
FIBREGLASS
NOTE 3 ADDED.
COLOUR REF WAS TO
CLAUSE 7. IN NOTE 2
REF WAS TO CLAUSE 7.
YB RVC
K ISSUE: 18-11-13
FIXING SCREWS 6xM4
WERE STAINLESS STEEL.
LC. BWT.

REFERENCE PLANS	
FINIAL CAP	VM213-1
SUPPLY CAT NO 7002 1250	

ROADS AND TRAFFIC AUTHORITY OF NSW
TRAFFIC SIGNALS
SPLIT FINIAL CAP FOR TRAFFIC
SIGNAL POST TOP ASSEMBLY

SCALE 1 : 2 OR AS SHOWN	
SUPERSEDES: ISSUE 1	
DRAWN	A. ROBSON
CHECKED	R.B. 20-10-83
PASSED	B.T. 03-11-83

APPROVED: 03-11-1983	
F. R. HULSCHER SUPERVISING ENGINEER	
ISSUE	K
VM213-2	