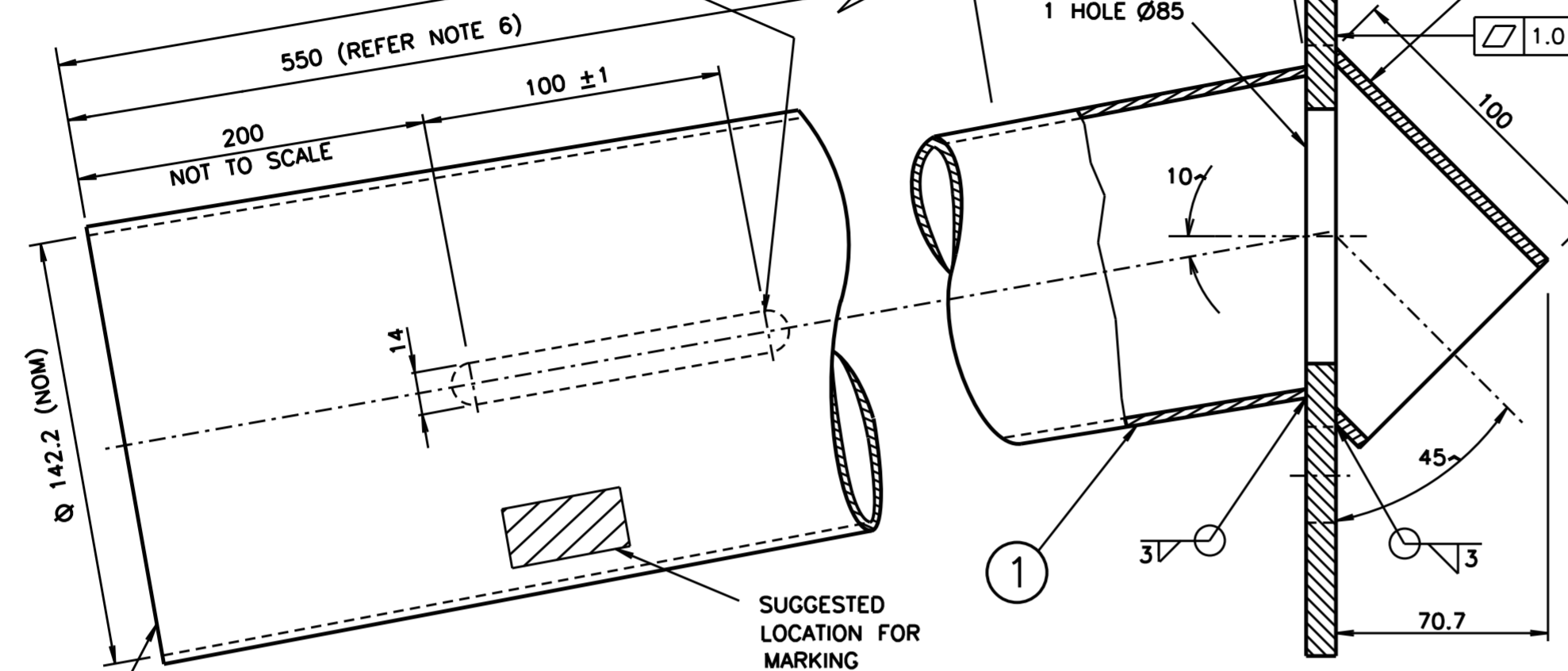
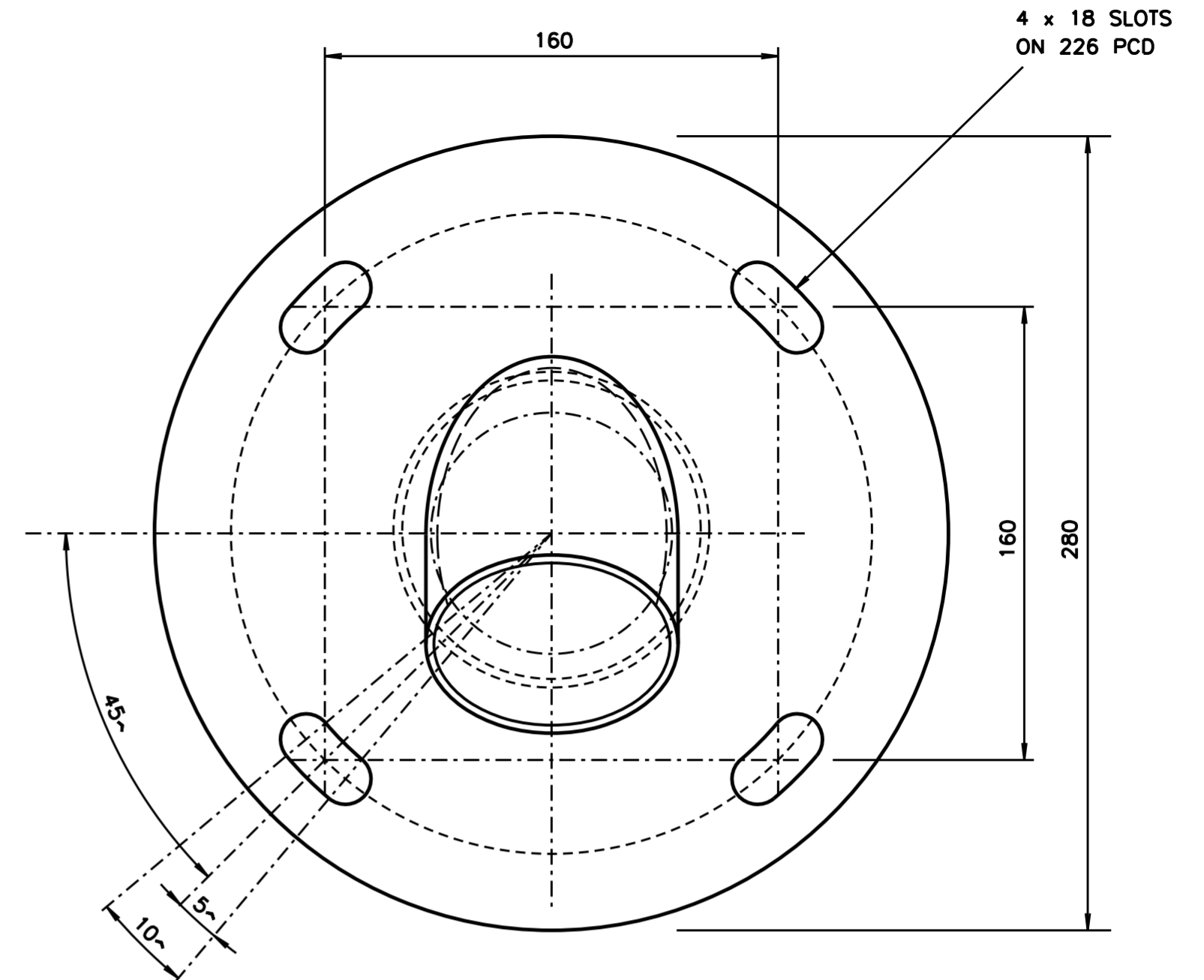


ELONGATED HOLE FOR TAPER LOCK JOINT  
TO LOWER PART OF MAST ARM TYPE 5  
REFER TO NOTE 7 ON DRG VM211-22

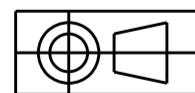


ROUNDNESS  
TOLERANCE  
MAJOR  $\varnothing$  143.2  
MINOR  $\varnothing$  141.2  
(REF NOTE 3)



### NOTES

1. THIS MAST ARM TYPE 5XL SHALL ONLY BE USED IN REGION 'A' TERRAIN CATEGORY 2 AREAS (TO AS 1170.2). IT DOES NOT HAVE ADEQUATE STRUCTURAL STRENGTH FOR USE IN OTHER REGIONS. (SEE AS 1170.2 FOR THE BOUNDARIES OF THE DIFFERENT REGIONS)
2. THIS DRAWING SHOULD BE READ IN CONJUNCTION WITH SPEC MA/1.
3. THE INSIDE CIRCUMFERENCE AT OPEN END OF TAPERED TUBE TO BE  $447 \pm 1$ .
4. ALL WELDING TO BE IN ACCORDANCE WITH AS/NZS 1554 PART 1.
5. DEBURR, REMOVE ALL SHARP EDGES & WELDING SCALE.
6. A SMOOTH SURFACE & AN EVEN GALVANISING THICKNESS ( $63\mu\text{m}$ ) IN ACCORDANCE WITH AS/NZS 4680 IS REQUIRED TO ENSURE EASE OF ASSEMBLY OF THE OUTREACH. INNER SURFACE OF TUBE (ITEM 1) TO BE FREE OF EXCESS GALVANISING AND SEAMWELD TO BE GROUND FLUSH WITHIN 550mm FROM OPEN END.
7. ALL THREADS TO BE CLEARED AFTER GALVANISING.
8. TOLERANCE OF DIMENSIONS UNLESS OTHERWISE SHOWN: ANGULAR  $\pm 1^\circ$   
 - LOCATION OF HOLE CENTRES  $\pm 0.5$   
 - FOR DIMENSIONS UP TO AND INCLUDING  $160 \pm 0.5$   
 - FOR DIMENSIONS OVER  $160 \pm 2$



DIMENSIONS ARE IN MILLIMETRES

3	FLANGE HOOD CHS 88.9 x 4 TO AS1163	MILD STEEL	HD GALV	1
2	MOUNTING PLATE 10mm THICK TO AS/NZS 3678 OR AS/NZS 3679	MILD STEEL	SEE NOTES 5 & 6	1
1	TUBE TAPERED 1:100 ON DIA, 5.0 MIN WALL THICKNESS	HR340 TO AS/NZS 1594		1
ITEM	DESCRIPTION	MATERIAL	FINISH	QTY

A ORIGINAL ISSUE  
 B ISSUE 10-04-06 ELBOW REPLACED BY FLANGEHOOD.  $\varnothing$ 85 HOLE WAS TAPPED HOLE FOR 2.5 INCH BSP. SHEET SIZE WAS A3. MTC PLATE WAS 200 SQ WITH 4 x  $\varnothing$ 18 HOLES. BWT  
 C ISSUE 3-6-2011 THICKNESS OF ITEM 1 WAS SHOWN AS 3mm. A.K. B.W.T.

REFERENCE DRAWINGS	DRAWN RVC 13-09-99
MECH ASSEMBLY VM211-26	CHECKED BWT 14-09-99
LOWER PART MA VM211-22	PASSED B TAYLOR 14-09-1999
	APPROVED T YUNG MANAGER, EQUIPMENT & STDS DATE 14-09-1999
SUPPLY CAT NO 18233631	

ROADS AND TRAFFIC AUTHORITY OF NSW  
 TRAFFIC SIGNALS  
 MECHANICAL DETAIL OF OUTREACH FOR  
 MAST ARM TYPE 5XL (5.5 METRE OUTREACH)  
 FOR USE IN REGION 'A' TO AS 1170.2 ONLY

SHEET SIZE A2	FILE NO	SCALE 1:2 (OR AS SHOWN)	SHEET NO
SUPERSEDES ISSUE A		ISSUE $\beta$ C	
REG NO		VM211-28	