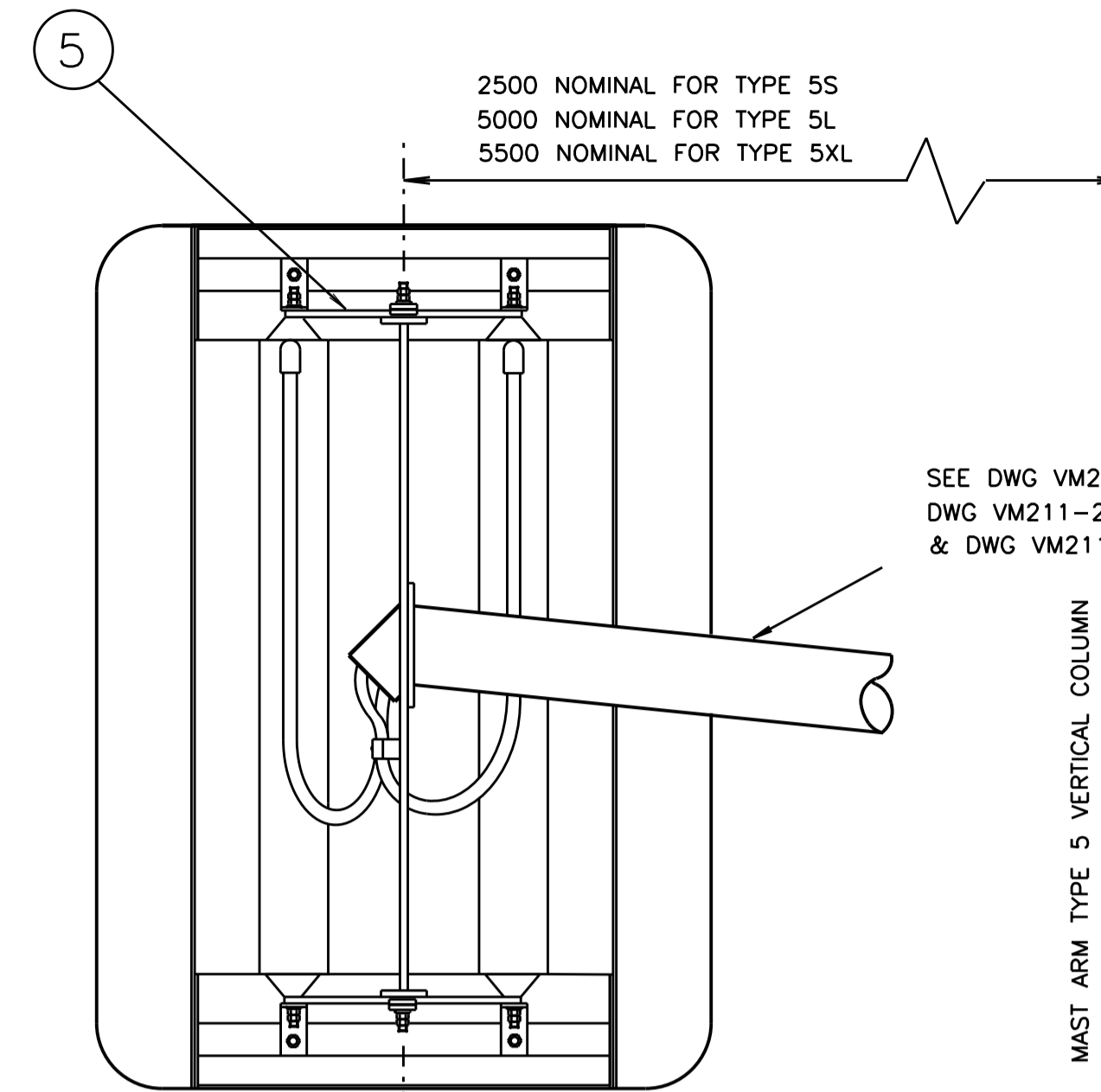
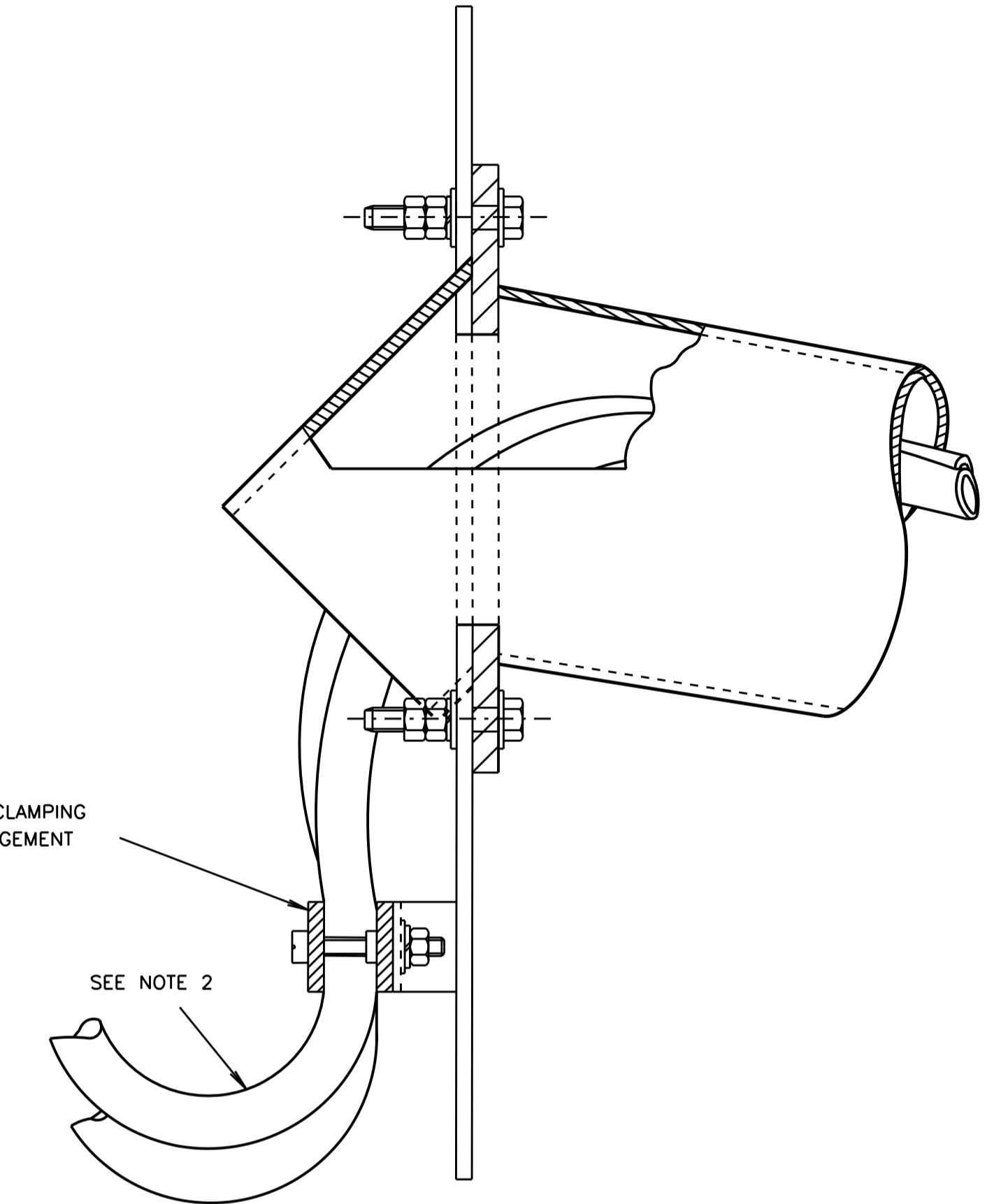


DETAILS FOR  
MAST ARM TYPE 5S, 5L & 5XL  
WITH 3+3 ASPECT

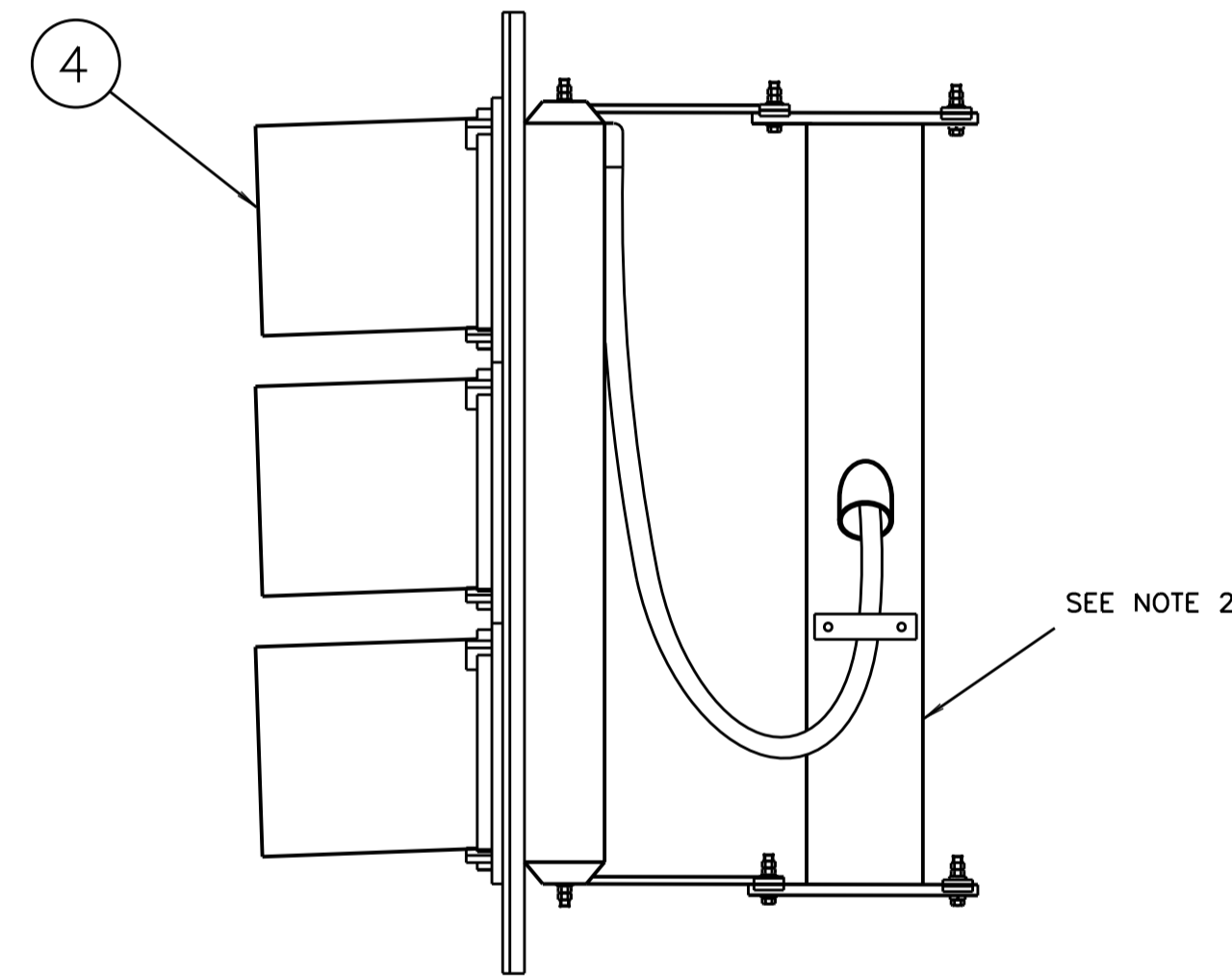
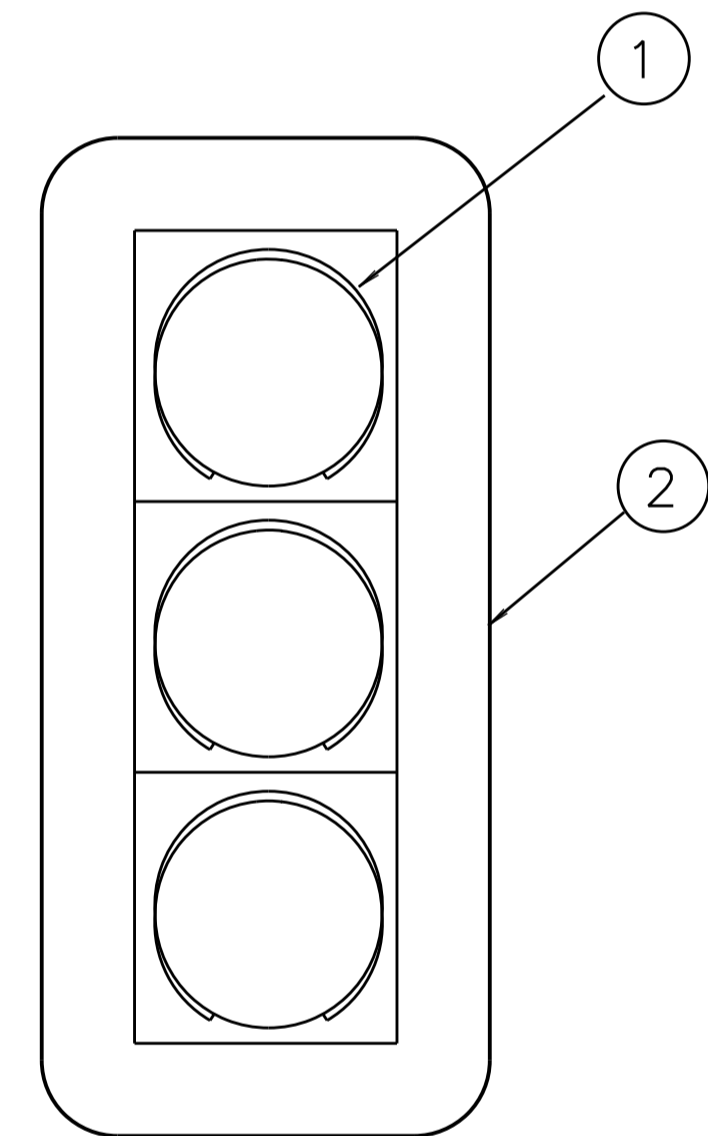


SEE DWG VM211-24 FOR TYPE 5S,  
DWG VM211-23 FOR TYPE 5L  
& DWG VM211-28 FOR TYPE 5XL

☞ MAST ARM TYPE 5 VERTICAL COLUMN



DETAIL A  
INCREASED SCALE



DETAILS FOR  
MAST ARM TYPE 5S, 5L & 5XL  
WITH 3 ASPECT

NOTES

- AFTER ALL SIGNAL LANTERNS HAVE BEEN AIMED, THEY ARE TO BE SECURELY LOCKED IN POSITION BY INDEPENDENT MECHANICAL MEANS.
- LANTERN LEADS MAY NEED TO BE REWIRED WITH DOUBLE INSULATED FOR CONNECTION TO THE TERMINAL BOX. ANY CABLE EXPOSED TO THE WEATHER TO BE ENCLOSED IN BLACK FLEXIBLE CONDUIT.
- STANDARD MOUNTING STRAPS AS SHOWN ARE PART OF THE LANTERN ASSEMBLY ONLY, BUT IF STRAPS ARE TO BE SELECTED TO SUIT INDIVIDUAL SITE REQUIREMENTS, SELECT FROM DWG VM012-7.
- LANTERNS ARE TO BE ADJUSTED TO BE VERTICAL WHEN VIEWED FROM THE FRONT. THIS IS THE FINAL ADJUSTMENT MADE AFTER ALL LANTERNS, TARGET BOARDS AND AUXILIARY EQUIPMENT HAVE BEEN MOUNTED ON THE MAST ARM.
- QUANTITIES STATED IN THE MATERIAL LIST ARE ONLY FOR ONE 3 ASPECT OR ONE 3+3 ASPECT LANTERN. IF ADDITIONAL LANTERNS ARE REQUIRED, THE QUANTITIES ARE TO BE INCREASED ACCORDINGLY.
- FOR AIMING ADJUSTMENT AND ASSEMBLY DETAILS OF THE LOCK WASHERS (INSTALLED ON ALL LUGS) SEE DRAWING VM200-28.
- ALL DUAL LANTERNS ARE TO BE INSTALLED WITH THE TEE-BAR ASSEMBLY USING LOCK WASHERS AS SHOWN IN DWG VM200-27.

GENERAL MATERIAL LIST				3 ASPECT	3+3 ASPECT
ITEM	DESCRIPTION	DRG NO	CAT NO	QTY PER LANTERN SET	
5	TEE-BAR FOR 200mm LANTERNS	VM012-14	18230543		2
4	OPEN VISOR TYPE 'A'	VM208-29	7002389	3	6
3	TARGET BOARD 3+3 ASPECT 200mm DIAMETER	VM206-14	70010712		1
2	TARGET BOARD 3 ASPECT 200mm DIAMETER	VM206-14	70010690	1	2
1	3 ASPECT 200mm DIAMETER LANTERN			1	2

A ORIGINAL ISSUE  
B ISSUE 24-6-99  
JI TC2516 PLAN  
REDRAWN. PLAN  
CHANGED TO  
INCLUDE TEE-BAR  
& LOCK WASHERS.  
MATERIAL LIST  
ALTERED.  
RVC BWT  
C ISSUE 02-02-00  
JI TC3000 TYPE  
5XL DETAILS ADDED  
TO PLAN & TITLE  
MADE GENERAL.  
RVC BWT  
D ISSUE 30-05-06  
FLANGE HOOD WAS  
ELBOW.  
IH BWT  
E ISSUE 1-05-13  
REFERENCE TO  
UPPER LANTERN  
SUPPORT WAS  
VM211-25. PLAN  
REVISED TO SUIT  
200mm LANTERNS.  
BWT.  
LC.

REFERENCE DRAWINGS			
OUTREACH 5XL MA	VM211-28	LOCK WASH ASSBLY	VM200-28
MA MECH ASSEMBLY	VM211-26	T BAR ASSEMBLY	VM200-27
UPPER LANT SUPP	VM215-6	LOCK WASHER	VM200-24
OUTREACH 5S MA	VM211-24	TEE-BAR	VM012-14
OUTREACH 5L MA	VM211-23	LANTERN STRAPS	VM012-7
LOWER LANT ASSBLY	VM211-17		
T/ BOARDS 200mm	VM206-14		

DRAWN IH 22-9-89  
CHECKED RVC  
PASSED B. TAYLOR 8-12-9  
APPROVED  
F HULSCHER  
DATE 11-12-1989

ROADS AND TRAFFIC AUTHORITY NSW  
TRAFFIC SIGNALS  
ASSEMBLY DETAILS OF UPPER  
LANTERNS TO TYPE 5 MAST ARMS

SHEET SIZE A1	FILE NO	SCALE NTS	SHEET NO -
SUPERSEDES ISSUE A		ISSUE 1/2/3/E	
REG NO		VM211-21	