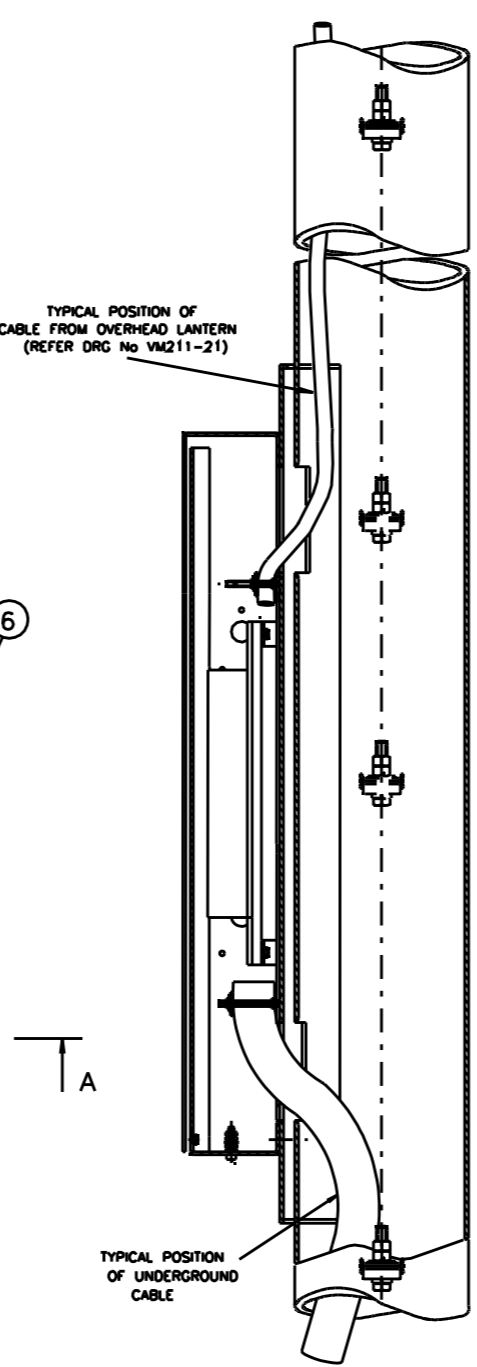
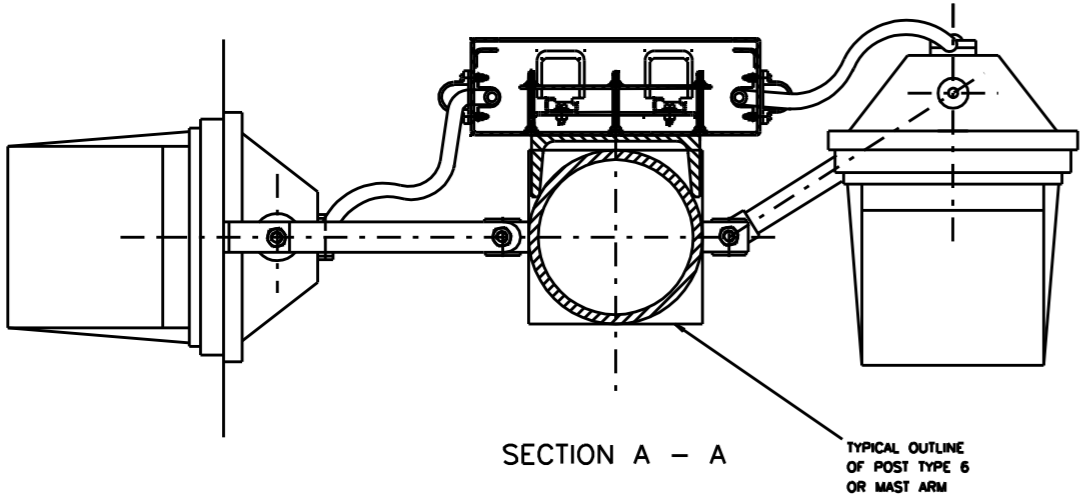


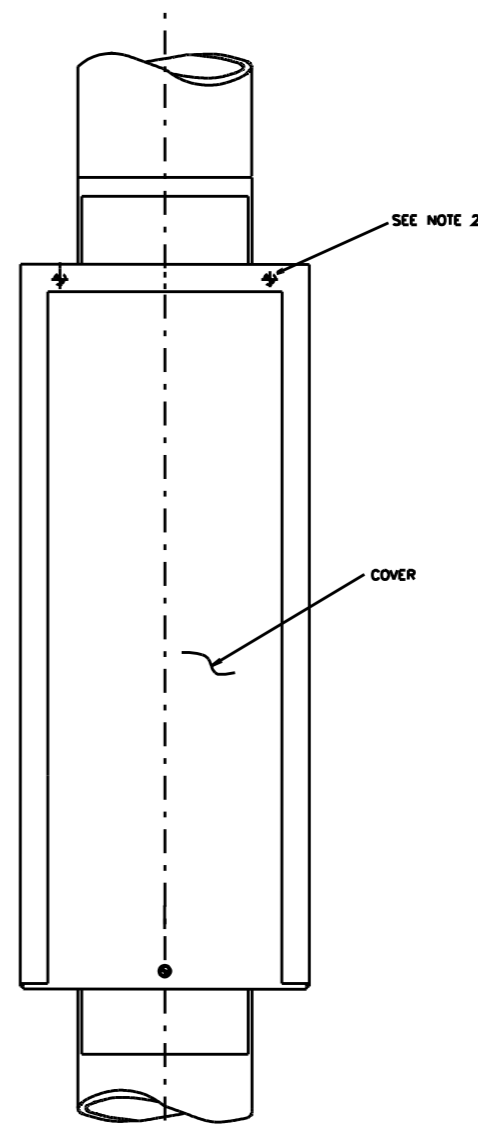
FRONT ELEVATION  
TERMINAL BOX COVER OMITTED



SECTION B - B  
LANTERNS OMITTED



SECTION A - A  
TYPICAL OUTLINE  
OF POST TYPE 6  
OR MAST ARM



FRONT OF TERMINAL BOX  
WITH COVER IN PLACE

NOTES

1. BEFORE MOUNTING TERMINAL BOX ON MAST, OR POST, COVER THE REAR OF THE BOX & SURFACE ON THE MAST WITH A SILICONE SEALANT TO GIVE A WEATHERPROOF SEAL.
2. SCREWS IN BOX COVER TO BE FITTED AFTER COVER HAS BEEN INSERTED INTO THE GUIDE RAILS IN THE BOX.
3. THE STANDARD MOUNTING STRAPS SHOWN ARE PART OF THE LANTERN ASSEMBLIES ONLY, BUT IF STRAPS ARE TO BE SELECTED TO SUIT INDIVIDUAL SITE REQUIREMENTS, SELECT FROM PLAN VM012-7.
4. LANTERNS ARE TO BE ADJUSTED TO BE VERTICAL WHEN VIEWED FROM THE FRONT. THIS IS THE FINAL ADJUSTMENT MADE AFTER ALL LANTERNS, TARGET BOARDS AND AUXILIARY EQUIPMENT HAVE BEEN MOUNTED ON THE MAST.
5. AFTER ALL SIGNAL LANTERNS HAVE BEEN AIMED, THEY ARE TO BE SECURELY LOCKED IN POSITION BY INDEPENDENT MECHANICAL MEANS.
6. QUANTITIES STATED IN THE MATERIAL LIST ARE ONLY FOR ONE 3 ASPECT OR ONE 3+3 ASPECT LANTERN. IF ADDITIONAL LANTERNS ARE REQUIRED, THE QUANTITIES ARE TO BE INCREASED ACCORDINGLY.
7. THE INSTALLER SHALL ENSURE ELECTRICAL CONTINUITY BETWEEN THE TERMINAL BOX AND THE MAST ARM OR POST FOR EARTHING PURPOSES.
8. FOR AIMING ADJUSTMENT AND ASSEMBLY DETAILS OF THE LOCK WASHERS THAT COME INSTALLED ON ALL LUGS, REFER TO DRAWING VM200-28.
9. IF DUAL LANTERNS ARE INSTALLED, THE TEE BAR ASSEMBLIES ARE TO BE USED USING LOCK WASHERS AS SHOWN IN DRAWING VM200-27.

GENERAL MATERIAL

ITEM	DESCRIPTION	DRAWING NO	RTA SUPPLY CAT NO
10	TEE-BAR STRAP FOR DUAL 200mm LANTERNS	VM012-14	18230543
9	MOUNTING STRAPS	VM012-7	
8	LOCK WASHERS	VM200-24	18233542
7	TERMINAL BOX ASSEMBLY	VM015-22	18230623
6	PEDESTRIAN LANTERN (AS PER AS 2144)		70015250
5	OPEN VISOR Ø200	VM208-31	70023814
4	TARGET BOARD MOUNTING BRACKET	VM206-13	70010160
3	TARGET BOARD 3+3 ASPECT Ø200	VM206-14	70010712
2	TARGET BOARD 3 ASPECT Ø200	VM206-14	70010690
1	3 ASPECT Ø200 LANTERN (AS PER AS 2144)		70015161

DIMENSIONS ARE IN MILLIMETRES

'E' ISSUE 28-6-99  
 J/A TC2574 PLAN  
 REDRAWN, NOTES 8  
 AND 9 ADDED.  
 BNT

REFERENCE DRAWINGS	DATE
LANTERN STRAPS VM012-7	DRAWN LG 29-09-81
T BAR ASSEMBLY VM012-14	CHECKED RB 18-10-81
TERMINAL BLK ASBLY VM015-22	PASSED BNT 11-12-81
LOCK WASH ASBLY VM200-24	
LOCK WASH ASBLY VM200-28	APPROVED
T/BOARD MTC BKT VM206-13	
TARGET BOARDS VM206-14	
	DATE 19-12-81

ROADS AND TRAFFIC AUTHORITY NSW  
TRAFFIC SIGNALS

LOWER ASSEMBLY DETAILS OF  
TERMINAL BOX AND LANTERNS SUITABLE  
FOR MAST ARMS & TYPE 6  
POST

SHEET SIZE	FILE NO	SCALE	SHEET NO
A1			
SUPERSEDES ISSUE D		ISSUE E	
REG NO		VM211-17	