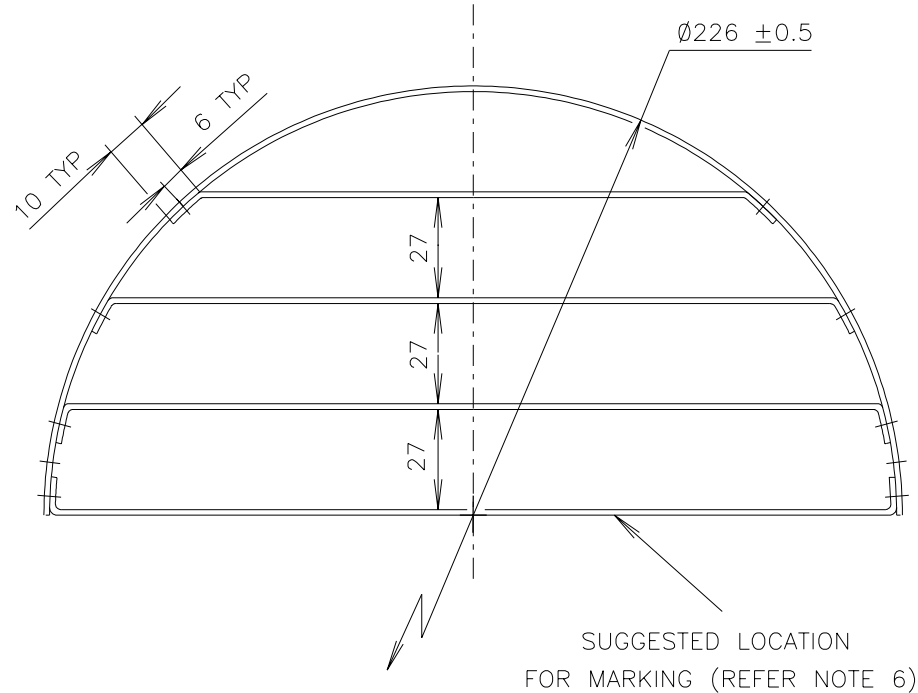
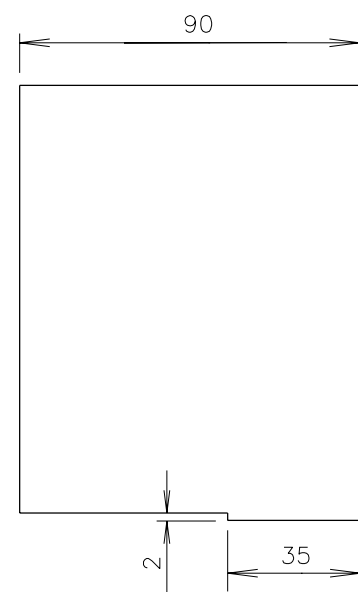
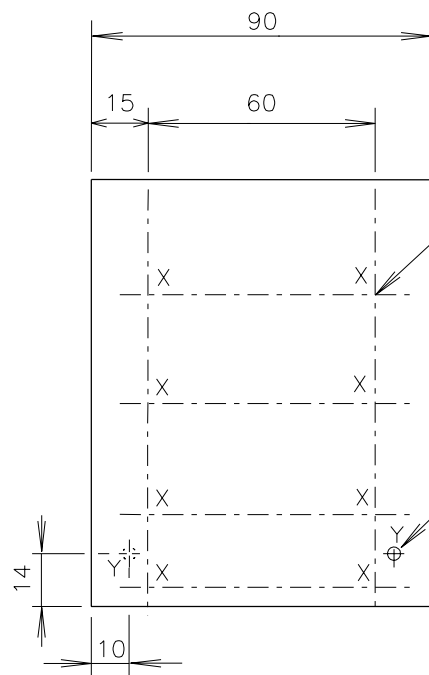


PLASTIC LOUVRE



ALUMINIUM LOUVRE



DRILL 16 HOLES 'X'
Ø2.45 TO ACCOMMODATE
Ø2.4 POP RIVETS
(AL ALLOY DOME HD)
FOR FIXING LOUVRES
IN POSITION (RIVET
HEADS ON OUTSIDE)

2 HOLES 'Y' Ø3.5
(1 HOLE THIS
SIDE & OTHER
DIAGONALLY
OPPOSITE)

NOTES

1. MATERIAL: (a) UV STABILISED ACRYLONITRILE STYRENE ACRYLATE POLYMER (ASA) WITH A MAXIMUM THICKNESS OF 2mm (SEE NOTE 3).
OR (b) 1mm ALUMINIUM ALLOY SHEET (SEE NOTE 4).
2. FINISH: BLACK SEMI-GLOSS.

THE LOUVRE IS TO BE DESIGNED TO HAVE A LIFE OF AT LEAST 10 YEARS EXPOSED TO WEATHER AND A POLLUTION ENVIRONMENT ASSOCIATED WITH HEAVY VEHICULAR TRAFFIC.
3. SPECIAL REQUIREMENTS FOR PLASTIC (ASA) LOUVRES:

THE PRECISE DESCRIPTIONS AND QUANTITIES OF THE ADDITIVE MATERIALS USED IN THE POLYMER BLEND FOR THE LOUVRE MUST BE DOCUMENTED.

THE MATERIALS MUST BE PROCESSED TO MANUFACTURER'S GUIDELINES.

THE FULL SYSTEM OF MANUFACTURE TO BE DOCUMENTED ALONG WITH QUALITY CONTROL TESTS THAT DEMONSTRATE A CONTROLLED PROCESS.

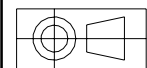
TESTS SHALL BE CARRIED OUT AND DOCUMENTED TO DEMONSTRATE THE AGING CAPABILITY UNDER THE CONDITIONS SPECIFIED IN NOTE (2) AND THE ABSENCE OF MATERIAL STRESS IN THE FINISHED PRODUCT.

ANY VARIATION TO THE CONSTITUENT MATERIALS OR TESTS MUST HAVE PRIOR RTA APPROVAL.

A TOUGH PLASTIC BAG CONTAINING 5 X BLACKENED CLIPS (CMI PRESSED COMPONENTS PTY LTD PART NO 08810/17/404 (DACROMET COATING) IS TO BE ATTACHED INSIDE THE LOUVRE WITH MASKING TAPE.
AN EQUIVALENT CLIP APPROVED BY THE RTA WOULD BE ACCEPTABLE.
4. SPECIAL REQUIREMENTS FOR ALUMINIUM LOUVRES:

THE LOUVRE MUST BE THOROUGHLY CLEANED, ETCHED, ALUMINIUM CHROMATED AND DRIED BEFORE THE APPLICATION OF A POLYESTER POWDER COATING OF 50µm MINIMUM THICKNESS.

THE FULL PROCESS OF SUCH A COATING IS SUBJECT TO RTA APPROVAL.
5. TOLERANCE OF ALL LOUVRE DIMENSIONS UNLESS INDICATED OTHERWISE:
 - GENERAL DIMENSIONS: ±1
 - ANGULAR: ±1°
6. MANUFACTURER'S IDENTIFICATION AND DATE OF SUPPLY SHALL BE MARKED INDELIBLY, CLEARLY AND WEATHER RESISTANT.
7. REFER TO SPECIFICATION VL/11 FOR OTHER REQUIREMENTS FOR THE LOUVRE.



ALL DIMENSIONS IN MILLIMETRES

'C' ISSUE 13-08-95
J/ITC 2340 PLAN
REDRAWN. LOUVRE
WAS ALUMINIUM ONLY.
NOTES 2,3 & 5 ADDED.
RVC APC

| REFERENCE DRAWINGS | |
|--------------------|----------|
| CLOSED VISOR Ø200 | VM208-29 |
| LOUVRE ATTACHMENT | VM208-47 |

RTA CATALOGUE NO
70015552

ROADS AND TRAFFIC AUTHORITY OF NSW
TRAFFIC SIGNALS

LOUVRE FOR Ø200 SIGNAL LANTERN

| | |
|---------------------|----------------------|
| SCALE 1 : 2 | |
| SUPERSEDES: ISSUE B | |
| DRAWN | DH 09-09-85 |
| CHECKED | RB 14-10-85 |
| PASSED | B TAYLOR 25-11-85 |

APPROVED: 29-11-1985
F HULSCHER
MANAGER EQUIPMENT & STDS

| | | | | | | |
|----------|---|--|--|--|--|--|
| ISSUE | C | | | | | |
| VM208-45 | | | | | | |