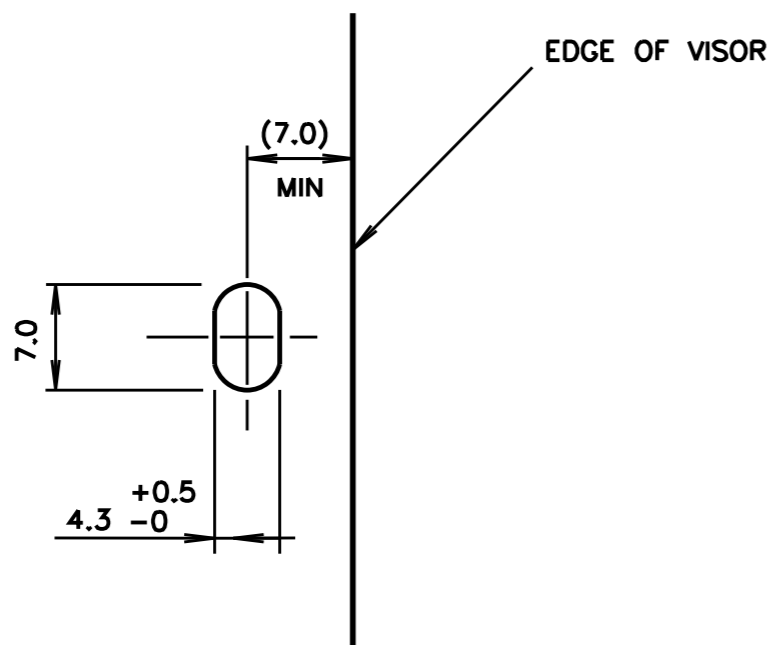
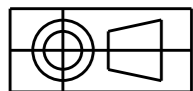


NOT TO SCALE



DETAIL A
SLOT DETAIL
SCALE 2:1



ALL DIMENSIONS IN MILLIMETRES

NOTES

- MATERIAL:** (a) UV STABILISED POLYPROPYLENE (FLAMMABILITY CAT. V-2) WITH A MAXIMUM THICKNESS OF 2mm (SEE NOTE 3).
OR (b) 1.2mm ALUMINIUM ALLOY (SEE NOTE 4).
- FINISH:** BLACK MATT.
THE VISOR IS TO BE DESIGNED TO HAVE A LIFE OF AT LEAST 10 YEARS EXPOSED TO WEATHER AND A POLLUTION ENVIRONMENT ASSOCIATED WITH HEAVY VEHICULAR TRAFFIC.
- SPECIAL REQUIREMENTS FOR POLYPROPYLENE VISORS:**
THE PRECISE DESCRIPTIONS AND QUANTITIES OF THE ADDITIVE MATERIALS USED IN THE POLYPROPYLENE BLEND FOR THE VISOR MUST BE DOCUMENTED.
THE MATERIALS MUST BE PROCESSED TO MANUFACTURER'S GUIDELINES.
THE FULL SYSTEM OF MANUFACTURE TO BE DOCUMENTED ALONG WITH QUALITY CONTROL TESTS THAT DEMONSTRATE A CONTROLLED PROCESS.
TESTS SHALL BE CARRIED OUT AND DOCUMENTED TO DEMONSTRATE THE AGING CAPABILITY UNDER THE CONDITIONS SPECIFIED IN NOTE (2) AND THE ABSENCE OF MATERIAL STRESS IN THE FINISHED PRODUCT.
ANY VARIATION TO THE CONSTITUENT MATERIALS OR TESTS MUST HAVE PRIOR RTA APPROVAL.
THE LENGTH LIMIT OF UP TO & INCLUDING 300mm APPLIES TO THE POLYPROPYLENE VISORS.
- SPECIAL REQUIREMENTS FOR ALUMINIUM VISORS:**
THE VISOR MUST BE THOROUGHLY CLEANED, ETCHED, ALUMINIUM CHROMATED AND DRIED BEFORE THE APPLICATION OF A POLYESTER POWDER COATING OF 50µm MINIMUM THICKNESS.
THE FULL PROCESS OF SUCH A COATING IS SUBJECT TO RTA APPROVAL.
- TOLERANCE OF ALL VISOR DIMENSIONS UNLESS INDICATED OTHERWISE:**
 - FOR DIMENSIONS UP TO AND INCLUDING 10: ± 0.5
 - FOR DIMENSIONS OVER 10: ± 1
 - ANGULAR TOLERANCE: $\pm 1^\circ$
- MANUFACTURER'S IDENTIFICATION AND DATE OF SUPPLY SHALL BE MARKED INDELIBLY, CLEARLY AND WEATHER RESISTANT.**
- REFER TO SPECIFICATION VL/11 FOR OTHER REQUIREMENTS FOR THE VISOR.**
- FIVE FASTENERS SHALL BE SUPPLIED WITH EACH VISOR, AND SECURELY ATTACHED SO THAT THEY DO NOT BECOME DISLODGED DURING TRANSPORTATION OR STORAGE.**

E ISSUE 30-08-1995
JI TC2340 NOTES
2, 3 & 5 ADDED.
RVC BWT
F ISSUE 20.12.07
IN NOTE 2, FINISH WAS
SEMI-GLOSS.
FLAMMABILITY LEVEL 2
ADDED TO NOTE 1a.
MC IH BWT
G ISSUE 28-06-2012
LENGTH LIMIT OF UP
TO & INCLUDING
300mm FOR POLY-
PROPYLENE VISORS
ADDED TO NOTE 3.
LC. BWT.

| REFERENCE PLANS | |
|--------------------|-------------|
| VISOR TYPE A | VM208-44 |
| RTA SUPPLY CAT NOS | |
| DIM A = 300 | : 7002 4306 |
| DIM A = 400 | : 7002 4322 |

ROADS AND TRAFFIC AUTHORITY OF NSW
TRAFFIC SIGNALS

CLOSED VISOR TYPE B
FOR Ø300 SIGNAL LANTERN

| SCALE AS SHOWN | |
|-------------------|----------------|
| Supersedes: | ISSUE D |
| Drawn | JPG 1990-07-04 |
| Checked | IH |
| Passed | BWT 1990-07-04 |

| | |
|--|---------------------------------------|
| Approved: | 1990-07-05 |
| F HULSCHER MANAGER EQUIPMENT & STDS | |
| ISSUE | <input checked="" type="checkbox"/> G |
| VM208-43 | |