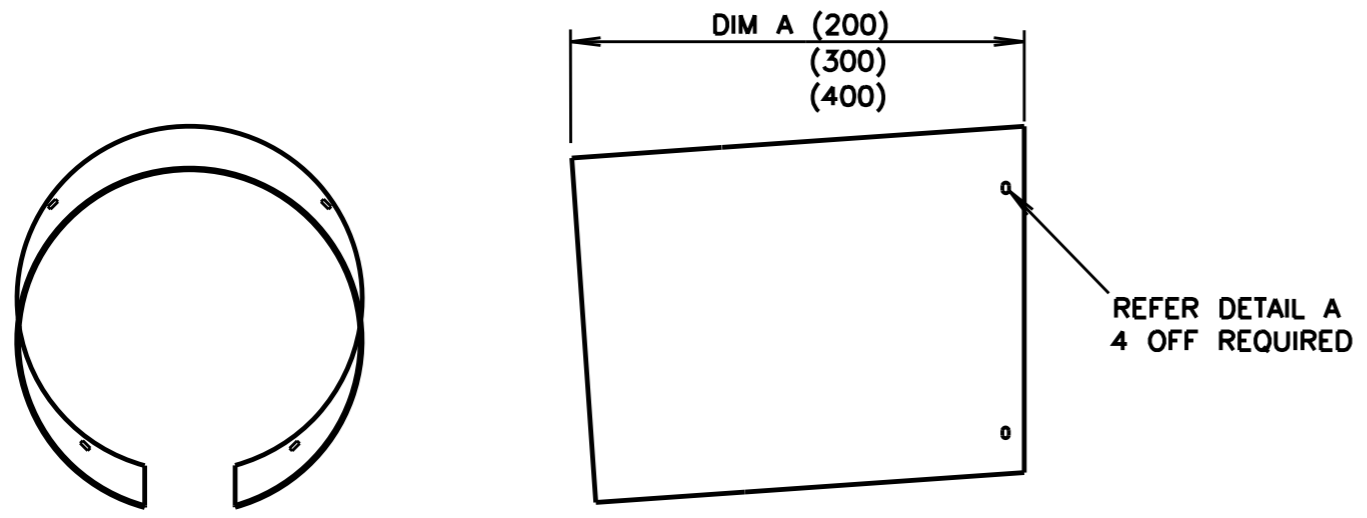
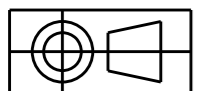
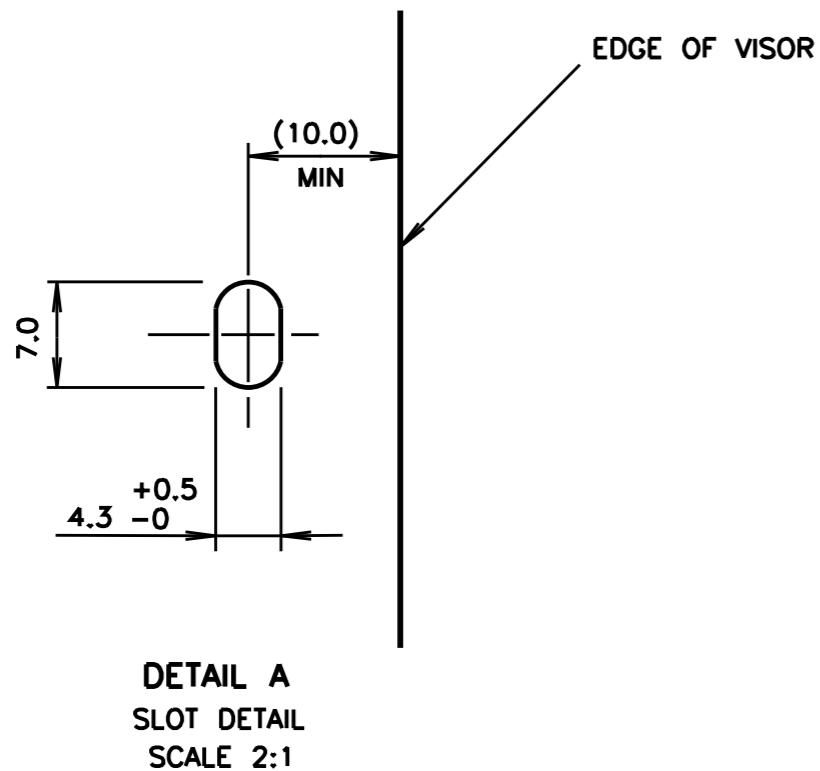


# NOTES

- MATERIAL: (a) UV STABILISED POLYPROPYLENE (FLAMMABILITY CAT. V-2) WITH A MAXIMUM THICKNESS OF 2mm (SEE NOTE 3).  
OR (b) 1.2mm ALUMINIUM ALLOY (SEE NOTE 4).
- FINISH: BLACK MATT.  
THE VISOR IS TO BE DESIGNED TO HAVE A LIFE OF AT LEAST 10 YEARS EXPOSED TO WEATHER AND A POLLUTION ENVIRONMENT ASSOCIATED WITH HEAVY VEHICULAR TRAFFIC.
- SPECIAL REQUIREMENTS FOR POLYPROPYLENE VISORS:  
THE PRECISE DESCRIPTIONS AND QUANTITIES OF THE ADDITIVE MATERIALS USED IN THE POLYPROPYLENE BLEND FOR THE VISOR MUST BE DOCUMENTED. THE MATERIALS MUST BE PROCESSED TO MANUFACTURER'S GUIDELINES.  
THE FULL SYSTEM OF MANUFACTURE TO BE DOCUMENTED ALONG WITH QUALITY CONTROL TESTS THAT DEMONSTRATE A CONTROLLED PROCESS.  
TESTS SHALL BE CARRIED OUT AND DOCUMENTED TO DEMONSTRATE THE AGING CAPABILITY UNDER THE CONDITIONS SPECIFIED IN NOTE (2) AND THE ABSENCE OF MATERIAL STRESS IN THE FINISHED PRODUCT.  
ANY VARIATION TO THE CONSTITUENT MATERIALS OR TESTS MUST HAVE PRIOR RTA APPROVAL.  
THE LENGTH LIMIT OF UP TO & INCLUDING 300mm APPLIES TO THE POLYPROPYLENE VISORS.
- SPECIAL REQUIREMENTS FOR ALUMINIUM VISORS:  
THE VISOR MUST BE THOROUGHLY CLEANED, ETCHED, ALUMINIUM CHROMATED AND DRIED BEFORE THE APPLICATION OF A POLYESTER POWDER COATING OF 50µm MINIMUM THICKNESS.  
THE FULL PROCESS OF SUCH A COATING IS SUBJECT TO RTA APPROVAL.
- TOLERANCE OF ALL VISOR DIMENSIONS UNLESS INDICATED OTHERWISE:
  - FOR DIMENSIONS UP TO AND INCLUDING 10:  $\pm 0.5$
  - FOR DIMENSIONS OVER 10:  $\pm 1$
  - ANGULAR TOLERANCE:  $\pm 1^\circ$
- MANUFACTURER'S IDENTIFICATION AND DATE OF SUPPLY SHALL BE MARKED INDELIBLY, CLEARLY AND WEATHER RESISTANT.
- REFER TO SPECIFICATION VL/11 FOR OTHER REQUIREMENTS FOR THE VISOR.
- FIVE FASTENERS SHALL BE SUPPLIED WITH EACH VISOR, AND SECURELY ATTACHED SO THAT THEY DO NOT BECOME DISLODGED DURING TRANSPORTATION OR STORAGE.



NOT TO SCALE



ALL DIMENSIONS IN MILLIMETRES

K ISSUE 1995-08-08 JI TC2340 NOTES 2, 3 & 5 ADDED. BWT RVC L ISSUE 19.12.07 IN NOTE 2, FINISH WAS SEMI-GLOSS. FLAMMABILITY LEVEL 2 ADDED TO NOTE 1a DIM A 400 LONG VISOR & CAT. No. ADDED. MC IH BWT M ISSUE 28-06-2012 LENGTH LIMIT OF UP TO & INCLUDING 300mm FOR POLY- PROPYLENE VISORS ADDED TO NOTE 3. LC. BWT.	REFERENCE PLANS SIGNAL LENS VM207-19 ARROW SYMBOL VM208-27		ROADS AND TRAFFIC AUTHORITY OF NSW TRAFFIC SIGNALS	SCALE AS SHOWN		Approved: 1990-07-05 F HULSCHER MANAGER EQUIPMENT & STDS
	RTA SUPPLY CAT NOS DIM A = 200 : 7002 3822 DIM A = 300 : 7002 3890 DIM A = 400 : 7002 3891			Supersedes: ISSUE J		
				Drawn JPG 1990-07-04 Checked IH		
				Passed BWT 1990-07-04		VM208-29
		CLOSED VISOR TYPE B FOR Ø200 SIGNAL LANTERN				