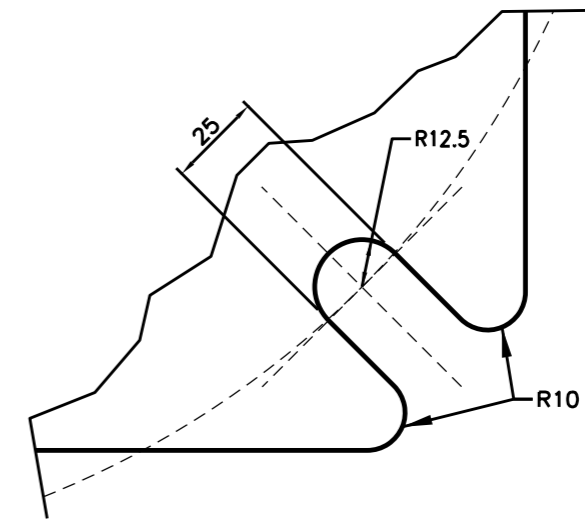
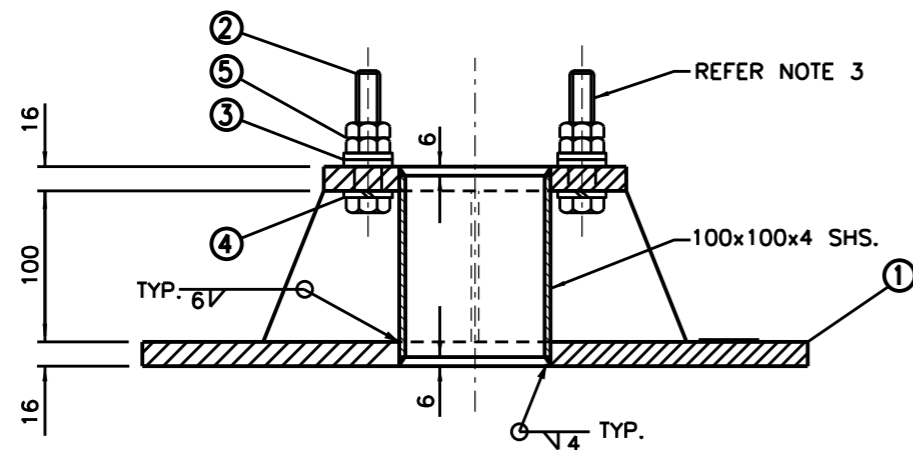


PLAN
SCALE 1:5



DETAIL A
SCALE 1:2



SECTION 1
SCALE 1:5

NOTES

1. MANUFACTURERS IDENTIFICATION AND DATE OF MANUFACTURE SHALL BE LEGIBLY AND DURABLY MARKED.
2. ALL BURRS, SHARP EDGES TO BE REMOVED BEFORE GALVANSING.
3. ITEMS 2, 3, 4 & 5 SHALL BE SUPPLIED AND FITTED (AS SHOWN) BY THE MANUFACTURER.

ITEM	DESCRIPTION	MATERIAL	FINISH	QTY
5	NUT, HEX. M20 TO AS/NZS 1112	M.S.	GALV. to AS/NZS 1214	8
4	SPRING WASHER M20	SPRING STEEL	GALV. to AS/NZS 4680	4
3	FLAT WASHER M20 (NORMAL SERIES) TO AS/NZS 1237	M.S.	GALV. to AS/NZS 4680	8
2	M20x80 LONG HEX. SET SCREW TO AS/NZS 1111	M.S.	GALV. to AS/NZS 1214	4
1	ADAPTOR PLATE	M.S. 250 GRADE	GALV. to AS/NZS 4680	1

A ORIGINAL ISSUE
B ISSUE: 09-07-13
TYPE 7 POST ADDED.
CAT No ADDED.
LC. BWT.
C ISSUE: 18-10-16
STIFFENER PLATES
ADDED. TYPE 13
ADDED TO TITLE
BLOCK.
DB BWT

REFERENCE DRAWINGS	
Post Type 7	VM202-15
Post Type 8	VM202-25
Post Type 13	VM202-20
SUPPLY CATALOGUE No.	
18234550	

ROADS AND MARITIME SERVICES
TRAFFIC SIGNALS

ADAPTOR STOOL FOR
TYPE 7, 8 AND 13
POSTS ON A TYPE 2 FOOTING

SCALE AS SHOWN	
SUPERSEDES:	
DRAWN	AK.
CHECKED	B.W.T.
PASSED	B. TAYLOR 24-11-10

APPROVED: S. SRIVASTAVA 24-11-10
MANAGER EQUIPMENT & STDS
ISSUE
VM202-26