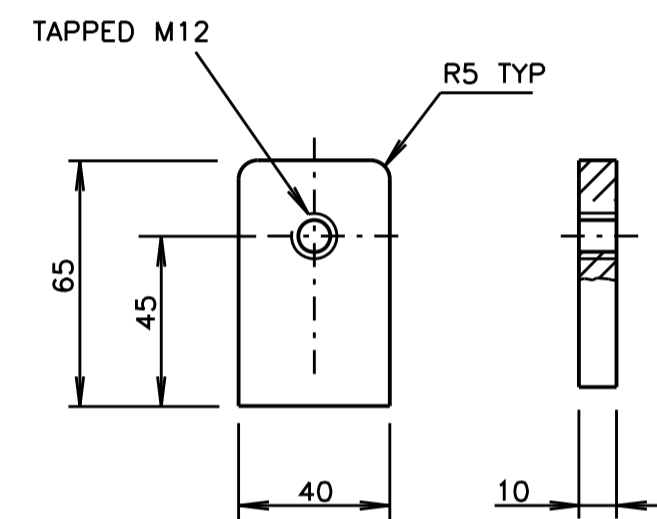
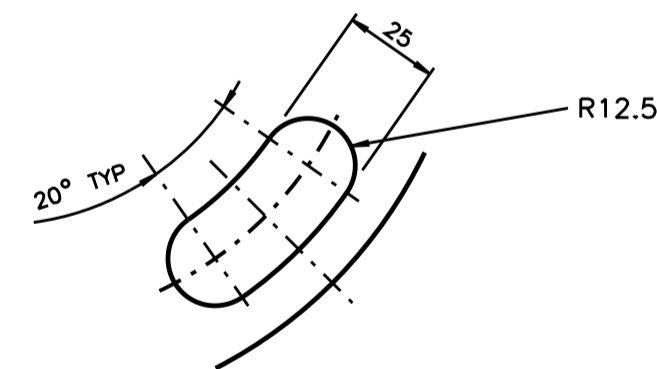


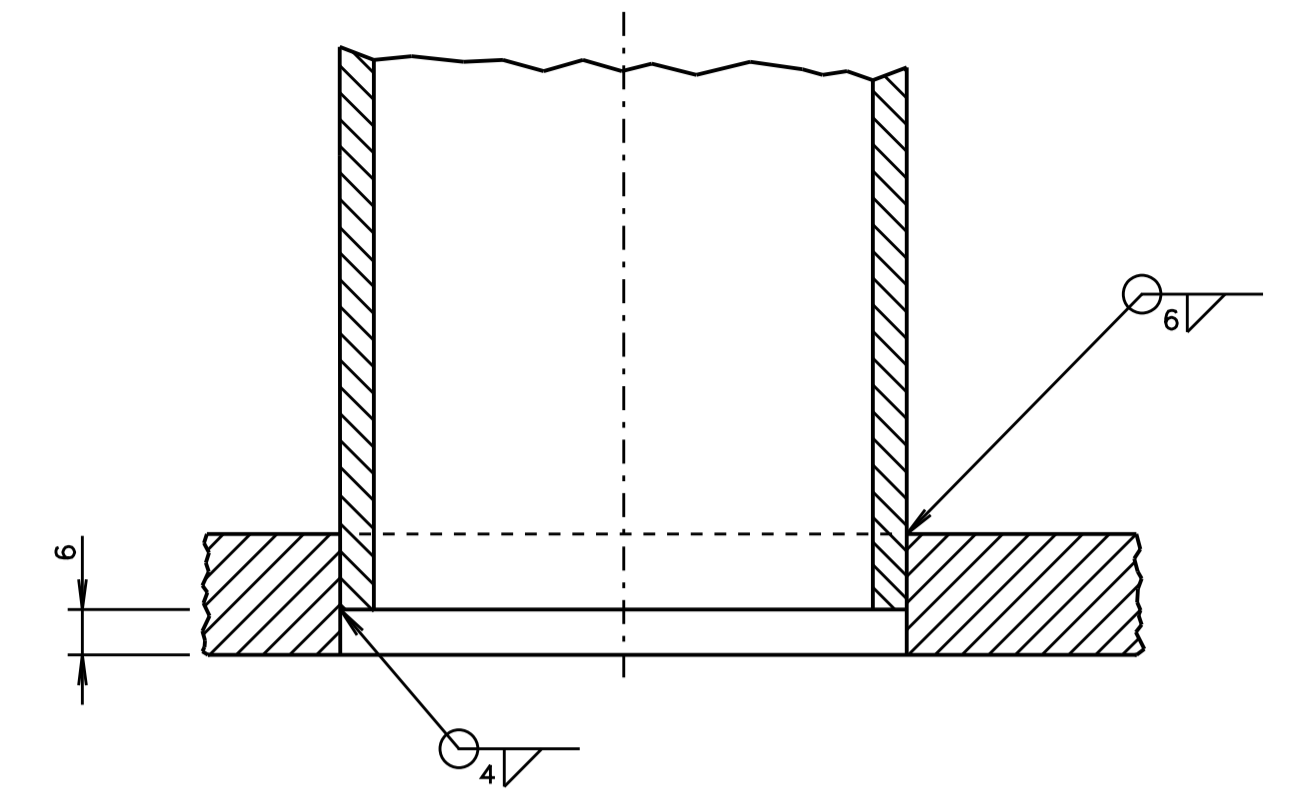
DETAIL A



DETAIL C  
(ITEM 3) SEE NOTE 5  
1 : 2



SLOT DETAIL  
1 : 2



DETAIL B

NOTES

- UNLESS OTHERWISE STATED, ALL WELDS TO BE CONTINUOUS FILLET AND IN ACCORDANCE WITH AS 1554 PART 1.
- TOLERANCE OF ALL POST DIMENSIONS UNLESS INDICATED OTHERWISE:
  - FOR DIMENSIONS UP TO AND INCLUDING 200: ±1
  - FOR DIMENSIONS OVER 200 AND UP TO AND INCLUDING 2000: ±2
  - FOR DIMENSIONS OVER 2000: ±4
  - ANGULAR TOLERANCE: ±1°
 FOR THE GENERAL TOLERANCE OF THE BASE PLATE DRILLING, REFER TO AS1798.
- ALL BURRS, SHARP EDGES & WELDING SCALE TO BE REMOVED BEFORE GALVANISING.
- ALL THREADS TO BE CLEARED AFTER GALVANISING.
- THREADED HOLE IN MOUNTING LUG (ITEM 3) TO BE 90° ±0.5° IN RELATION TO MOUNTING SURFACE. MOUNTING SURFACES OF LUGS TO BE AT 90° ±0.5° IN RELATION TO POST WALLS.
- REFER TO SPECIFICATION TSI-SP-043 FOR OTHER REQUIREMENTS FOR THE POST.
- BEFORE DELIVERY ITEMS 4,5,6,7,8 & 9 TO BE SUPPLIED AND FITTED AS SHOWN.
- MANUFACTURERS IDENTIFICATION AND DATE OF SUPPLY TO BE LEGIBLY & DURABLY MARKED.

DIMENSIONS IN MILLIMETRES

ITEM	DESCRIPTION	MATERIAL	FINISH	QTY
9	LOCK WASHER (REFER PLAN VM200-24)	ST STEEL	NATURAL	24
8	SPRING WASHER FOR M12	TO AS1968 SPRING STEEL	GALV TO AS1650	12
7	HEX HEAD SCREW M12 x 60	TO AS1111 MILD STEEL	GALV TO AS1214	12
6	FLAT WASHER Ø12 NORMAL SERIES	TO AS1237 MILD STEEL	GALV TO AS1650	12
5	HEX FULL NUT M12	TO AS1112 MILD STEEL	GALV TO AS1214	24
4	SQUARE TUBE POST CAP 100x100 DOWNEE K100 MS GB		GALVABOND	1
3	MOUNTING LUG (SEE NOTE 5)	TO AS3679 MILD STEEL	GALV TO AS1650	12
2	POST, 100 x 100 x 4.0 SHS	TO AS1163 STEEL C250	REFER TO NOTES 3 & 4	1
1	BASE PLATE	TO AS3678 M.S. C350		1

A ORIGINAL ISSUE  
B ISSUE 26-11-2019  
ITEM BASE PLATE WAS  
100x100x4.0 SHS  
400x400x4.0 SHS  
LENGTH WAS 4000 - REF TO  
SPEC IN NOTE 6 WAS P/6  
IH

SUPPLY CATALOGUE NO.  
1823 4551

REFERENCE DRAWINGS  
DRAWN LC. 15-07-13  
CHECKED BWT 16-07-13  
PASSED BWT 16-07-13  
APPROVED  
S. SRIVASTAVA  
DATE 17-07-13

ROADS AND MARITIME SERVICES  
TRAFFIC SIGNALS  
MECHANICAL AND ASSEMBLY DETAILS  
OF THE TYPE 8 POST

SHEET SIZE  
A1  
SCALE: NTS. UNLESS OTHERWISE STATED  
SUPERSEDES ISSUE - ISSUE A/B  
REG NO  
VM202-25