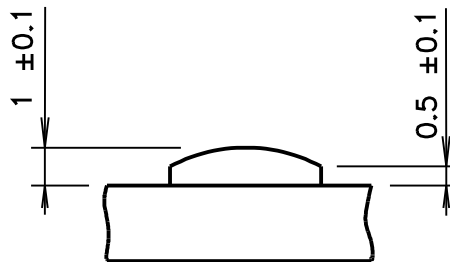
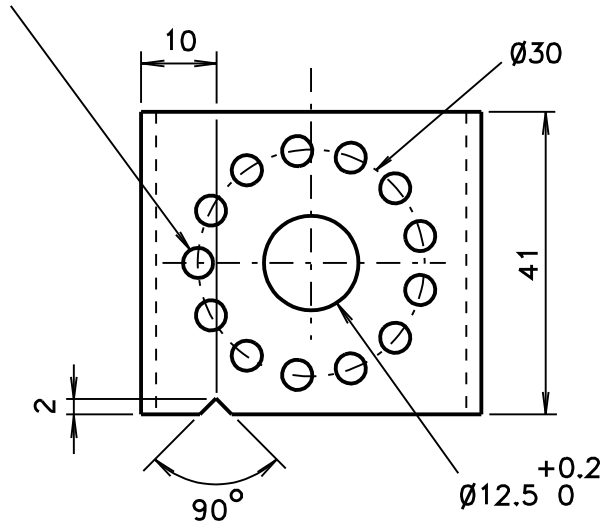
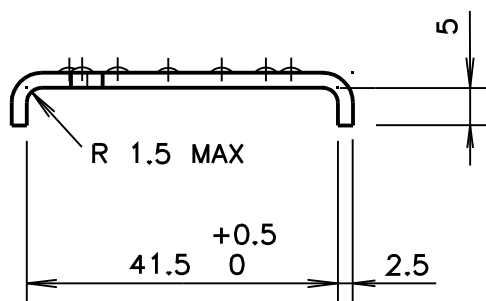


13 RAISED DIMPLES $\varnothing 4 \pm 0.1$
 EQUISPACED WITH LEFT SIDE
 DIMPLE ON THE CENTRE LINE

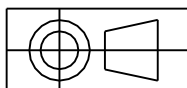


DIMPLE PROFILE
 SCALE 5 : 1



NOTES

1. REMOVE SHARP EDGES & CORNERS.
2. MATERIAL: STAINLESS STEEL GRADE 304 2B DULL.
3. FINISH: BLACK
4. TOLERANCE UNLESS OTHERWISE STATED:
 - GENERAL DIMENSIONS $\pm 0.5\text{mm}$
 - ANGULAR $\pm 1^\circ$
5. THIS LOCK WASHER TO BE USED ONLY FOR THE TEE-BAR ASSEMBLY FOR DUAL LANTERNS.



DIMENSIONS IN MILLIMETRES

A ORIGINAL ISSUE	REFERENCE DRAWINGS	
	TEE-BAR FOR 200mm	VM012-14
	TEE-BAR FOR 300mm	VM012-15
RTA SUPPLY CAT NO 18233543		

ROADS AND TRAFFIC AUTHORITY OF NSW TRAFFIC SIGNALS	SCALE 1 : 1 OR AS SHOWN	APPROVED: 08-01-99 T YUNG
	SPECIAL LOCK WASHER FOR T-BAR ASSEMBLIES FOR DUAL LANTERNS	MANAGER STDS & QUALITY
SUPERSEDES:		ISSUE
DRAWN	RVC 15-12-98	
CHECKED	TY 08-01-99	
PASSED	RVC 08-01-99	A
		VM200-29