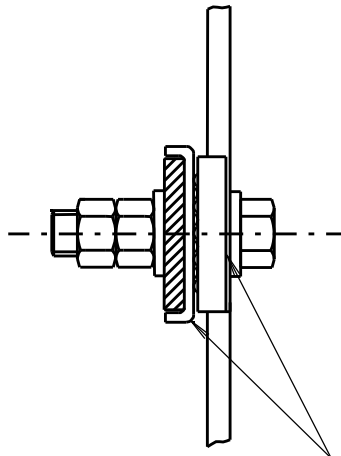
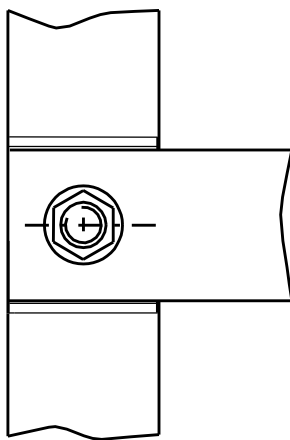
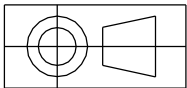


TOP VIEW
1 : 10



VIEW A
1 : 2
(DETAIL ASSEMBLY)

1 STANDARD AND
1 SPECIAL LOCK WASHER
DIMPLE TO DIMPLE



A ORIGINAL ISSUE
B ISSUE 30-04-99
JI TC2964 REF TO
T-BAR & SPECIAL
LOCK WASH. ADDED.
RVC BWT

REFERENCE DRAWINGS

LOCK WASHERS STD	VM200-24
LOCK WASHERS SPEC	VM200-29
LANTERN STRAPS	VM012-7
TEE-BAR FOR 200mm	VM012-14
TEE-BAR FOR 300mm	VM012-15

ROADS AND TRAFFIC AUTHORITY OF NSW
TRAFFIC SIGNALS

SCALE
AS SHOWN

APPROVED: 02-10-96

B TAYLOR

MANAGER EQUIPMENT & STDS

ASSEMBLY DETAILS FOR DUAL LANTERNS
USING LOCK WASHERS

SUPERSEDES:

DRAWN RVC 01-10-96

CHECKED BT 02-10-96

PASSED BWT
02-10-96

ISSUE	A	B					
-------	---	---	--	--	--	--	--

VM200-27