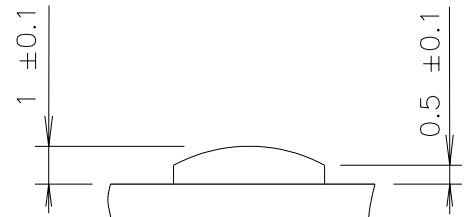
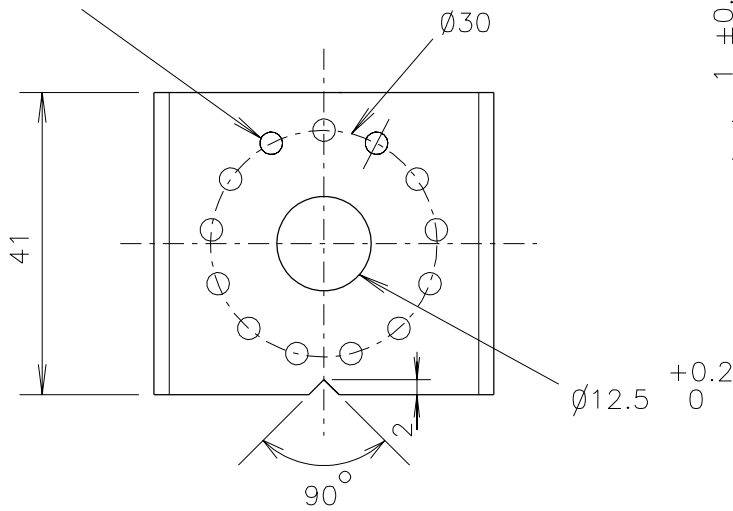
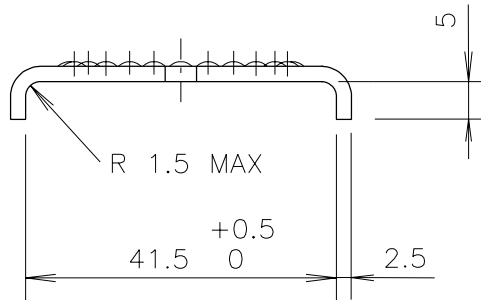


13 RAISED DIMPLES 04 ±0.1
EQUISPACED WITH TOP
DIMPLE ON THE CENTRE LINE

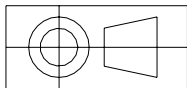


DIMPLE PROFILE
SCALE 5 : 1



NOTES

1. REMOVE SHARP EDGES & CORNERS.
2. MATERIAL: STAINLESS STEEL GRADE 304 2B DULL.
3. FINISH: NATURAL.
4. TOLERANCE UNLESS OTHERWISE STATED:
 - GENERAL DIMENSIONS ±0.5mm
 - ANGULAR ±1°



DIMENSIONS IN MILLIMETRES

A ORIGINAL ISSUE B ISSUE 19-06-95 J/1 TC 2710 THICKNESS 2.5 WAS 2 & 'Vee' POSITION ALTERED. EB RVC BWT	C ISSUE 09-08-95 J/1 TC2728 LENGTH WAS 42. WIDTH WAS 41. TOLERANCES ADDED RVC BWT	D ISSUE 05-03-96 J/1 TC2802 CAT NO PUT ON PLAN. RVC BWT	E ISSUE 23-04-96 JI TC2817. WIDTH WAS 41.3 + 0.2 - 0. R 1.5 MAX ADDED. RVC BWT	REFERENCE DRAWINGS	
				MOUNT STRAP	VM012-7
				LOWER MTG BKT	VM200-14
RTA SUPPLY CAT NO 18233542				APPROVED: T YUNG MANAGER STDS & QUALITY	
ROADS AND TRAFFIC AUTHORITY OF NSW TRAFFIC SIGNALS				SUPERSEDES: DRAWN EB 7-03-95 CHECKED BWT PASSED BWT 17-05-95	
STANDARD LOCK WASHER FOR LANTERN MOUNTING STRAP AND LOWER MOUNTING BRACKET					
				ISSUE	
				VM200-24	