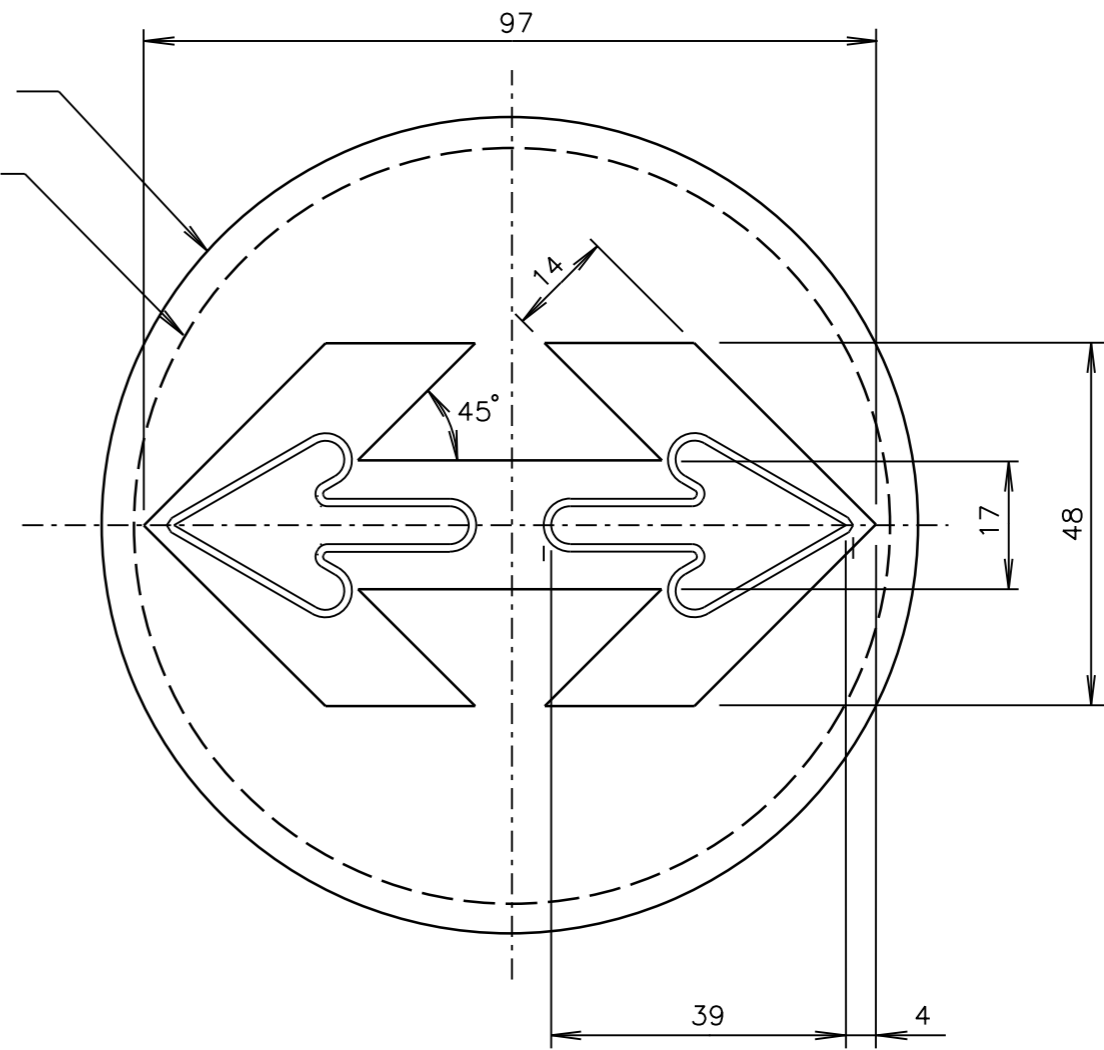
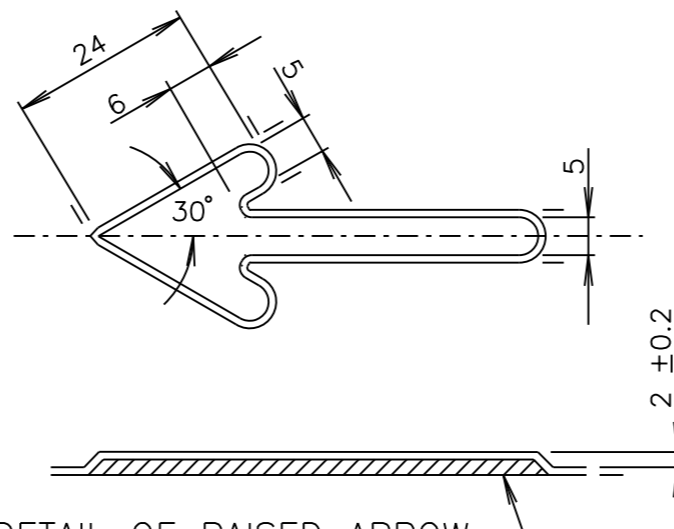


SINGLE ARROW



DOUBLE ARROW



DETAIL OF RAISED ARROW INCLUDING CAST METAL FILLER FIXED WITH SUITABLE ADHESIVE (SEE NOTE 1)

NOT TO SCALE

TOLERANCE: $\pm 0.5\text{mm}$ UNLESS OTHERWISE INDICATED.

MATERIAL: ALUMINIUM SHEET 0.8mm THICK.

FINISH: GLOSS ANODISE.

COLOUR: (1) ARROW - CLEAR.
 (2) SURROUND - TO BE WITHIN THE COLOUR RANGE RICH BLUE (B11) TO ROYAL BLUE (B12) - AS 2700. (SEE NOTE 3)

NOTES:

1. CAST METAL FILLER UNDERNEATH ALL RAISED ARROWS EXCEPT IN AUDIO TACTILE APPLICATIONS.
2. ANODISING SHALL CONFORM TO AS 1231 CLASS AA15.
3. THE COLOUR REFERENCES ARE 287C - 288C IN THE PANTONE MATCHING SYSTEM.

A ORIGINAL ISSUE J ISSUE:- 01/02/00 J/1 TC2180 PLAN REDRAWN. NOTE 3 ADDED. TOLERANCE ADDED. JPG/IH BWT K ISSUE:- 31/07/18 REFERENCE TO RMS CATALOGUE No'S DELETED. LC. BWT.	REFERENCE PLANS		ROADS AND TRAFFIC AUTHORITY OF NSW TRAFFIC SIGNALS	SCALE	APPROVED: 20-08-1992 FR HULSHER SUPERVISING ENGINEER
	PB CASE DIE CASTING	VM041-30		FULL SIZE	
	PB ASSEMBLY	VM041-31	PEDESTRIAN PUSH-BUTTON ASSEMBLY DIRECTION ARROW/TRANSDUCER DISC		SUPERSEDES: ISSUE 1
				DRAWN	NEILSEN DESIGN
			CHECKED	PW RB 18-08-92	
			PASSED	BW TAYLOR 20-08-1992	
					VM041-32