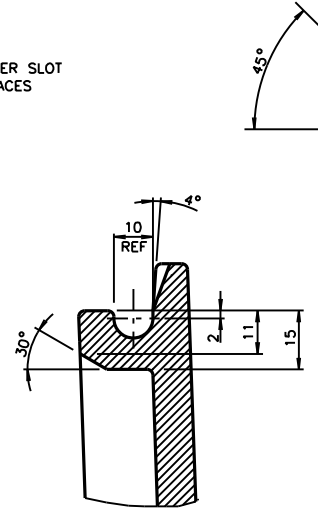
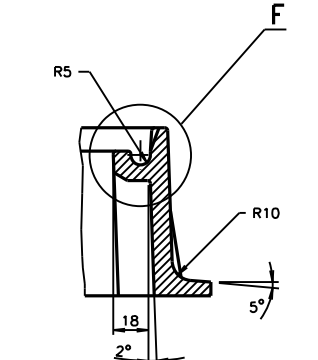


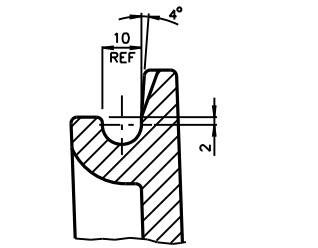
SECTION D-D



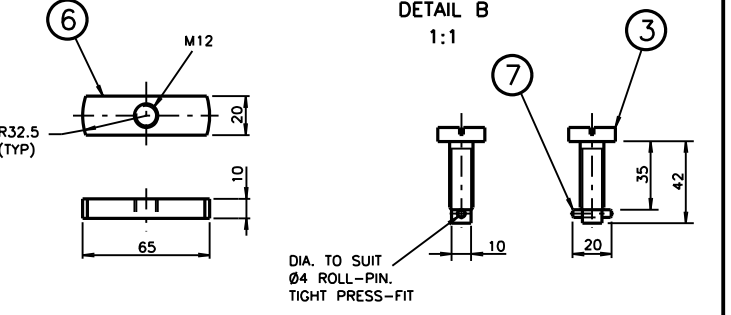
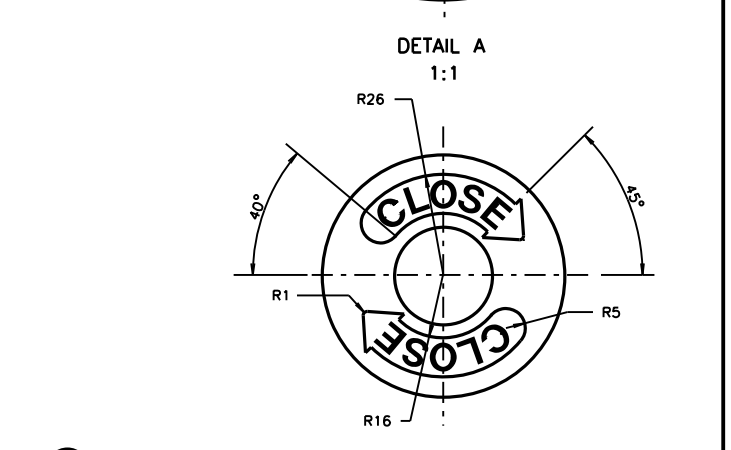
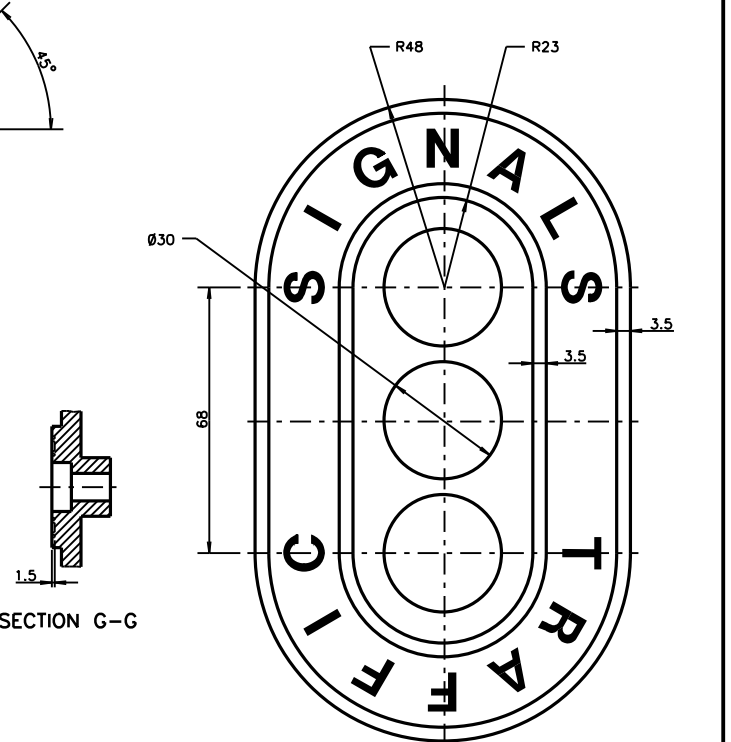
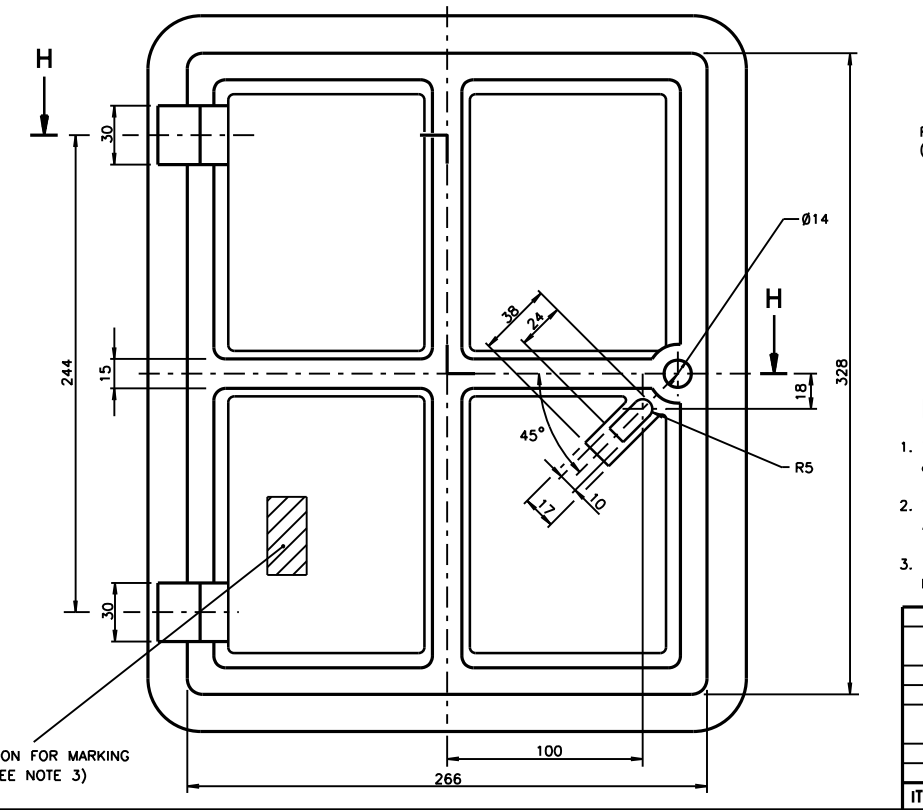
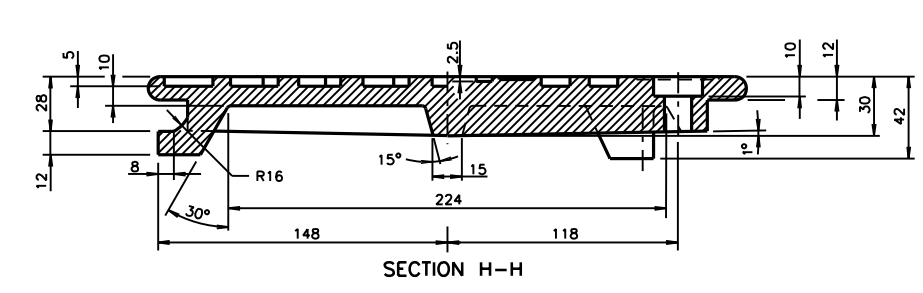
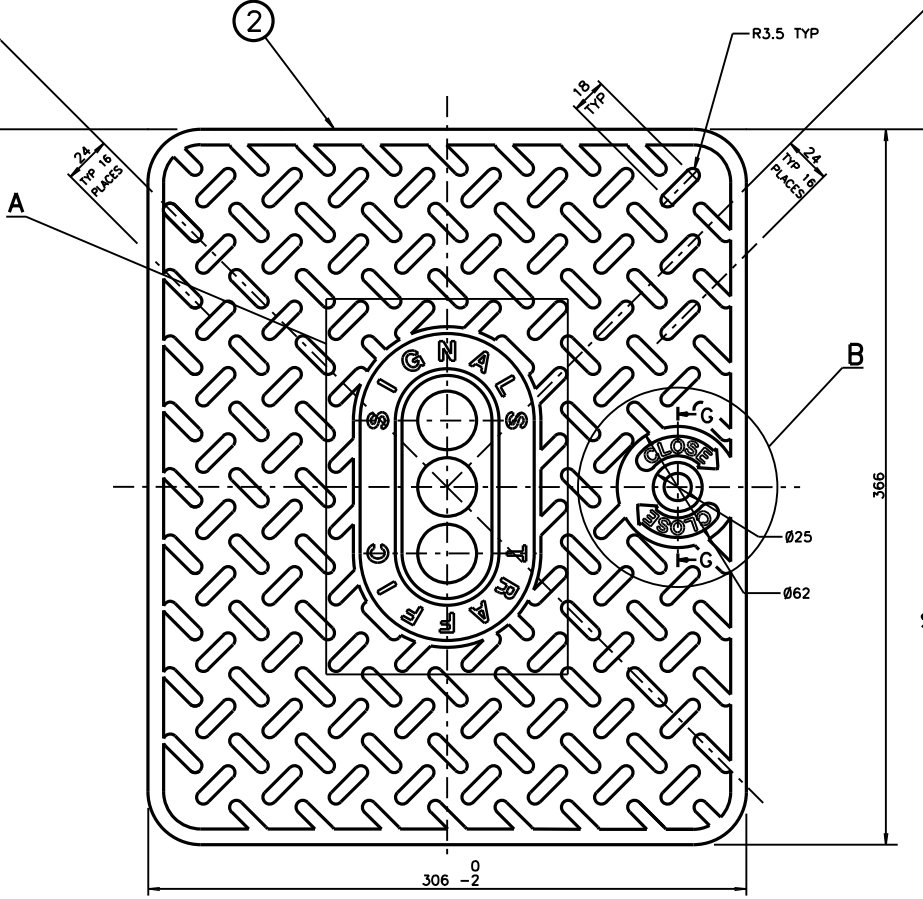
DETAIL F
1:1
TYPICAL FOR THE 4 HINGED AREAS



SECTION C-C



DETAIL E
1:1
TYPICAL FOR THE 2 LOCKING AREAS



LOCKING PLATE
LOCKING SCREW AND ROLL-PIN

- NOTES**
- TRAFFIC SIGNALS GRAPHIC AND LOCKING SCREW GRAPHIC ON LID SURFACE TO DETAILS A & B RESPECTIVELY. ALL WRITING TO BE RAISED (REFER SECTION G-G).
 - THE MANUFACTURER SHALL SUPPLY THE JUNCTION BOX FULLY ASSEMBLED, COMPLETE WITH ALL PARTS LISTED BELOW.
 - MANUFACTURERS IDENTIFICATION & DATE OF SUPPLY TO BE MARKED INDELIBLY & WEATHER RESISTANT.

ITEM	DESCRIPTION	MATERIAL	FINISH	QTY
7	ROLL-PIN Ø4 x 20	STAINLESS STEEL	NATURAL	1
6	LOCKING PLATE	STAINLESS STEEL GRADE 316	NATURAL	1
5	NYLON WASHER OD Ø25.4 ID Ø12.7	NYLON 66	NATURAL	1
4	GASKET OD Ø10 ID Ø3 60° DUROMETER HARD	NEOPRENE TUBE	ENDS GLUED TOGETHER	1
3	CHEESE HEAD SCREW M12 TO AS 1275	STAINLESS STEEL GRADE 316	NATURAL	1
2	PJ BOX LID CASTING	TO AS 1830	ZINC CHROMATE & BLACK LACQUER ALL SURFACES	1
1	PJ BOX BASE CASTING	T-300		1

ALL DIMENSIONS ARE IN MILLIMETRES

D ISSUE 03-04-2000
J/1 TC2380
PLAN REDRAWN. BWT
YB/JH RVC
E ISSUE 12-04-2006
LOCKING PLATE (ITEM 6)
WAS 25mm WIDE. BWT
IH
F ISSUE 05-12-2006
SUPPLY CAT NO ADDED.
IH

REFERENCE DRAWINGS	DRAWN	DATE
GEN. ARRANGEMENT VCO07-4	RW NDA	2/8/89
	CHECKED	BWT 18/8/89
	PASSED	B TAYLOR 18/8/89
	APPROVED	
RTA SUPPLY CAT NO 7001 0763	FR HULSCHER	DATE 1989-08-18

ROADS AND TRAFFIC AUTHORITY OF NSW
TRAFFIC SIGNALS

PAVEMENT JUNCTION BOX CASTING

SHEET SIZE: A1
FILE NO: 77M-477
SCALE: 1:2 OR AS SHOWN
SHEET NO: 10

SUPERSEDES ISSUE C
REG NO: VM016-10