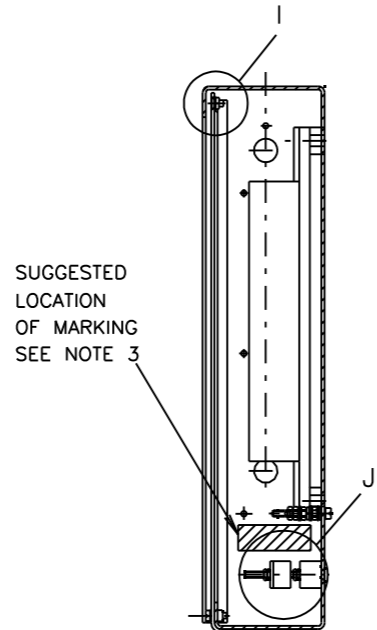
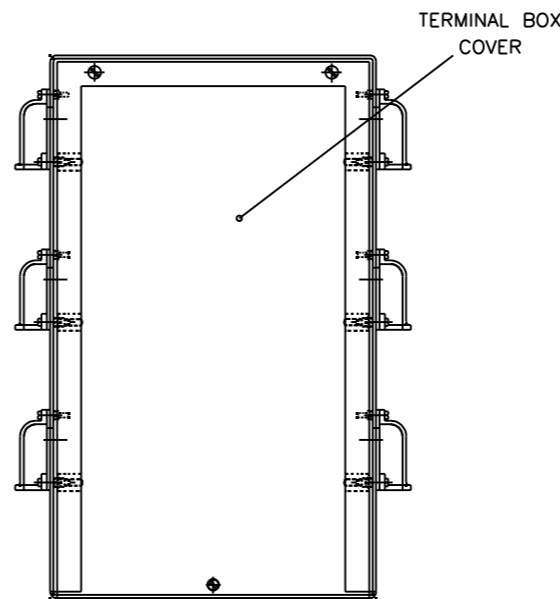


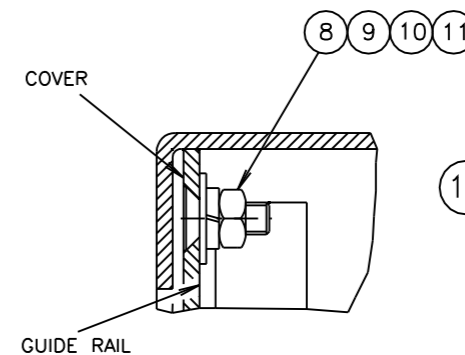
FRONT ELEVATION
(COVER REMOVED)



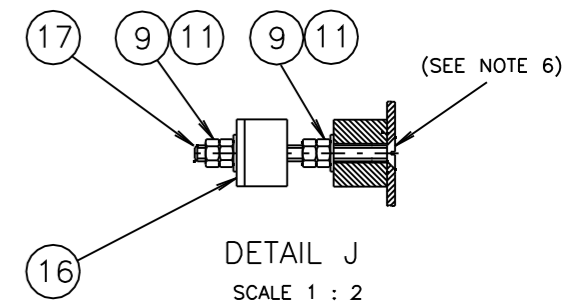
SECTION C-C



FRONT OF TERMINAL BOX WITH COVER



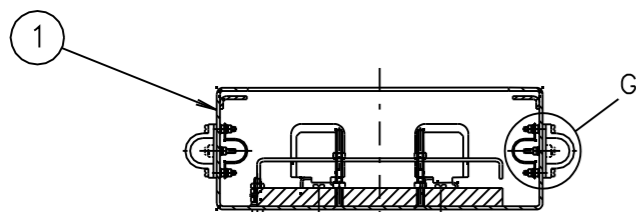
DETAIL I
SCALE 1 : 1



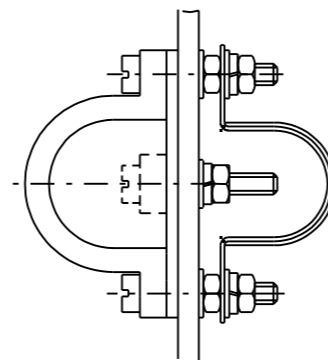
DETAIL J
SCALE 1 : 2

NOTES

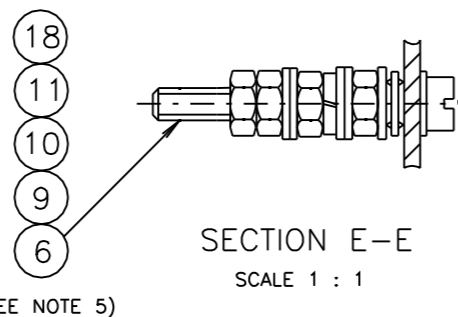
- SCREWS ON COVER TO BE FITTED AFTER COVER HAS BEEN INSERTED INTO GUIDE RAILS IN BOX.
- TERMINAL BOXES SHALL BE SUPPLIED FULLY ASSEMBLED AS SHOWN, EXCEPT 2 ONLY OF EACH ITEM 21 & 22 AND 3 ONLY OF EACH ITEM 9 & 11 AND 1 ONLY OF EACH ITEM 10 & 23 TO BE PACKED TOGETHER INTO ONE PLASTIC BAG & TAPED & BOUND SECURELY TO THE INSIDE OF THE TERMINAL BOX.
- MANUFACTURER'S IDENTIFICATION & DATE OF MANUFACTURE SHALL BE MARKED CLEARLY, INDELIBLY & WEATHER RESISTANT.
- EACH TERMINAL BOX SHALL BE SUPPLIED INDIVIDUALLY PACKED FOR PROTECTION IN TRANSPORT & CLEARLY MARKED EXTERNALLY WITH:
 - DESCRIPTION OF CONTENTS.
 - MANUFACTURER'S IDENTIFICATION.
 - RTA ORDER NUMBER.
 - RTA SUPPLY CATALOGUE NUMBER 18230607
- THE CONTACT SURFACE UNDER THE EARTH SCREW & THE INSIDE SURFACE AROUND THE HOLE IN THE BOTTOM OF THE BOX, SHALL BE FREE OF POWDER COAT TO ENSURE ELECTRICAL CONTINUITY.
- BEFORE ASSEMBLY, COAT THE M6 SCREW HEADS (ITEM 18) AND CSK HOLES ON THE BACK OF THE BOX WITH WATERPROOF SEALING COMPOUND AND LEAVE FLUSH.



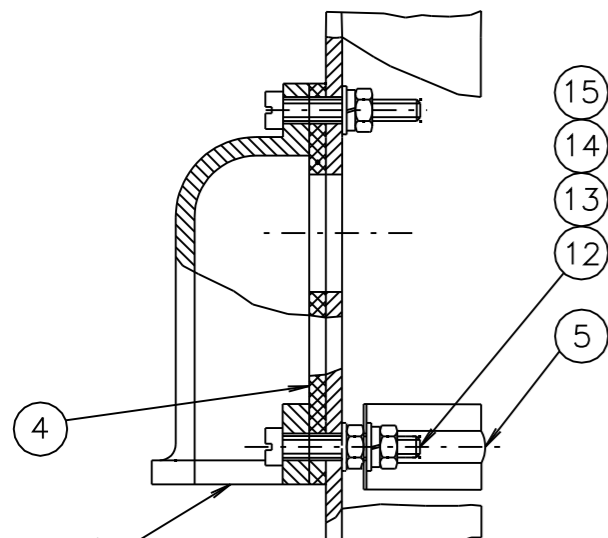
SECTION A-A



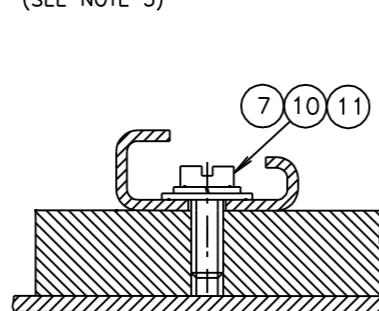
DETAIL G
SCALE 1 : 1



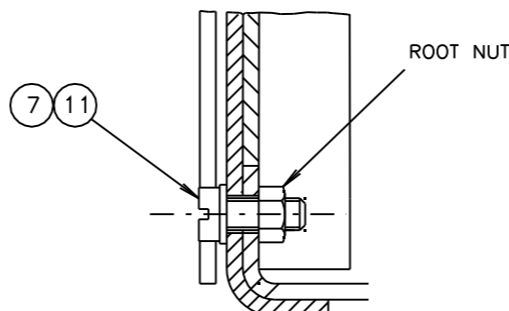
SECTION E-E
SCALE 1 : 1



DETAIL B
SCALE 1 : 1



SECTION F-F
SCALE 1 : 1



DETAIL H
SCALE 1 : 1

23	CHEESE HEAD SCREW M6 x 30	STAINLESS STEEL	NATURAL	1	TO AS1427
22	FLAT WASHER M10 (SEE NOTE 2)	MILD STEEL	HD GALV	2	TO AS1237
21	COACH SCREW HEX HEAD M10 X 75 (SEE NOTE 2)	MILD STEEL	HD GALV	2	TO AS1393
20					
19					
18	SHAKEPROOF WASHER EXT TOOTH M6	STAINLESS STEEL	NATURAL	1	TO AS1969
17	COUNTERSUNK HEAD SCREW M6 X 75	STAINLESS STEEL	NATURAL	2	TO AS1427
16	CABLE CLAMPING BAR	AS PER DWG		1	TO VM015-17
15	SPRING WASHER FOR M4	STAINLESS STEEL	NATURAL	18	TO AS1968
14	FLAT WASHER FOR M4	STAINLESS STEEL	NATURAL	30	TO AS1237
13	HEX NUT M4	STAINLESS STEEL	NATURAL	30	TO AS1112
12	CHEESE HEAD SCREW M4 x 30	STAINLESS STEEL	NATURAL	18	TO AS1427
11	FLAT WASHER FOR M6	STAINLESS STEEL	NATURAL	20	TO AS1237
10	SPRING WASHER FOR M6	STAINLESS STEEL	NATURAL	8	TO AS1968
9	HEX NUT M6	STAINLESS STEEL	NATURAL	17	TO AS1112
8	COUNTERSUNK HEAD SCREW M6 x 16	STAINLESS STEEL	NATURAL	2	TO AS1427
7	CHEESE HEAD SCREW M6 x 16	STAINLESS STEEL	NATURAL	5	TO AS1427
6	CHEESE HEAD SCREW M6 x 50	STAINLESS STEEL	NATURAL	1	TO AS1427
5	CONDUIT SADDLE/CLAMP	ATS TYPE PM0513 OR APPROVED EQUIV		6	AVAILABLE FROM ALDRIDGE ELECT IND OR BOB PANICH CONSULTANCY P/L
4	CABLE OUTLET GASKET	ATS TYPE PG0105 OR APPROVED EQUIV		6	
3	CABLE OUTLET COVER	ATS TYPE PM0511 OR APPROVED EQUIV		6	
2	TERMINAL BLOCK ASSEMBLY	AS PER DWG		1 PAIR	TO VM015-19
1	TERMINAL BOX	AS PER DWG		1	TO VM015-17
ITEM	DESCRIPTION	MATERIAL	FINISH	QTY	REMARKS

'K' ISSUE 19-09-97
JI TC2381 DWG REDRAWN.
IN PARTS LIST PANICH
REPLACES EXCELSIOR.
QUANTITY/LENGTH SOME
SCREWS NUTS & WASHERS
CHANGED & SOME WERE
BRASS NICKEL PLATED.
REF TO M6 THIN NUTS
DELETED. PARTS LIST
NOS CHANGED. ITEM 17
WAS IN MECH DRAWING
VM015-17. NOTE 6 &
ITEM 18 ADDED.
RVC BWT
'L' ISSUE 10-03-04
DETAIL D ITEMS 19 & 20
DELETED. ITEM 23 ADDED.
QTY OF ITEMS 9,10,11,13
AND 14 WERE 14,7,17,34
AND 34 RESPECTIVELY.
G.B.

REFERENCE DRAWINGS		DRAWN	K OUNG
TERMINAL BOX	VM015-17	CHECKED	RB 21-02-83
GEN ARRANGM'T	VM015-18	PASSED	BWT 18-05-84
TERM BLOCK ASSY	VM015-19	APPROVED	
LOWER LANT ASSY	VM015-16		
ON WOODEN POLES			
SUPPLY CAT NO 18230607		F HULSCHER DATE 21-05-1984	

ROADS AND TRAFFIC AUTHORITY NSW
TRAFFIC SIGNALS

ASSEMBLY DETAILS OF
TERMINAL BOX ON WOODEN POLES

SHEET SIZE	FILE NO	NO OF SHEETS	SHEET NO
A2			
SCALE 1 : 5 UNLESS STATED OTHERWISE			
SUPERSEDES ISSUE J		ISSUE K/L	
REG NO		VM015-21	