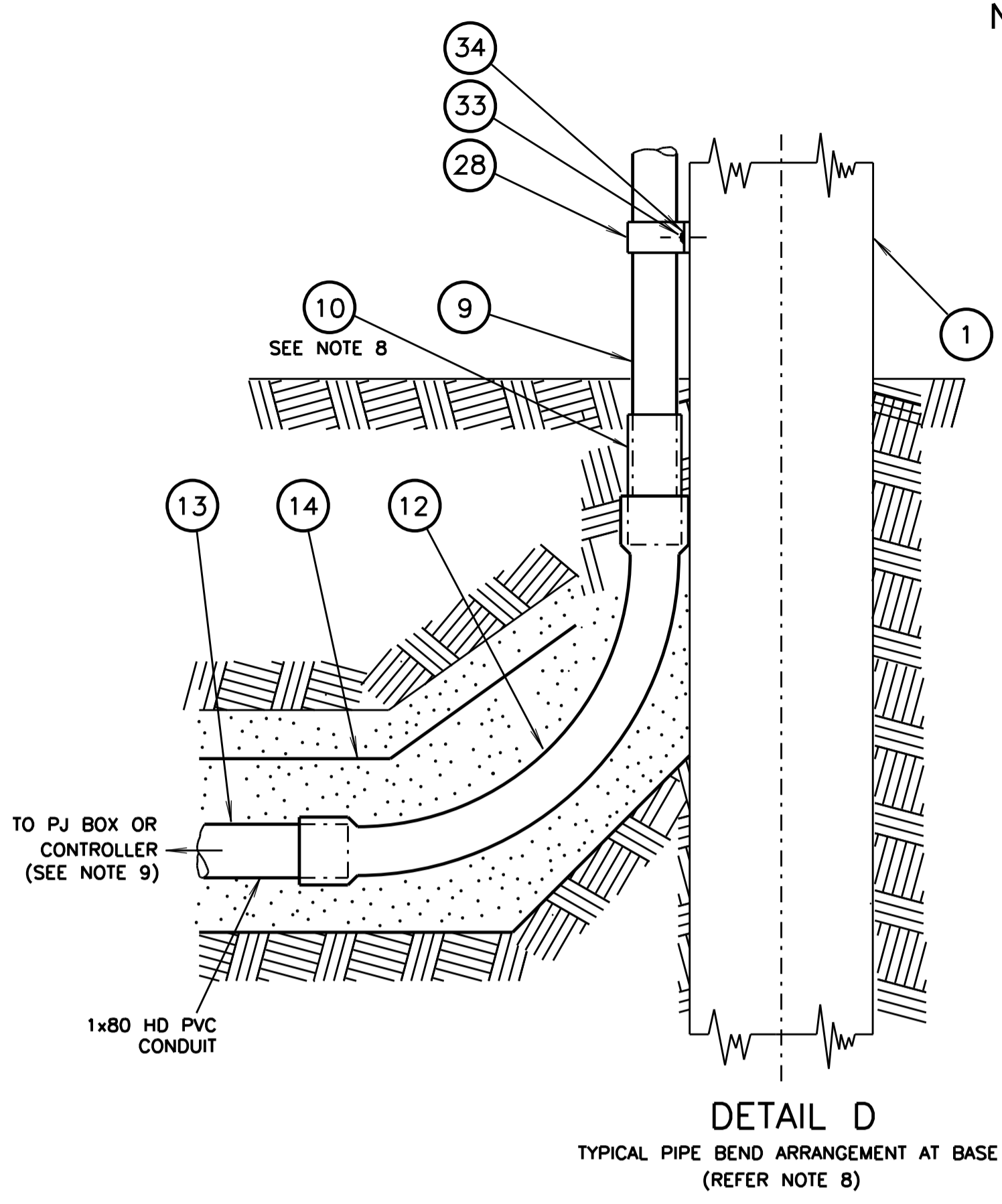
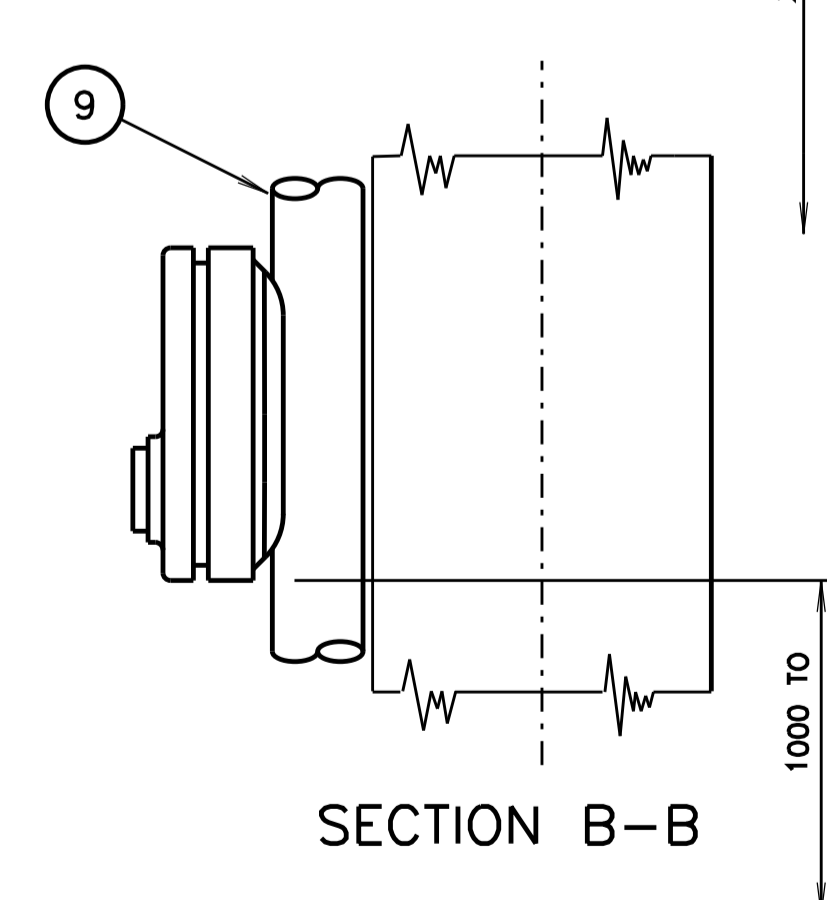
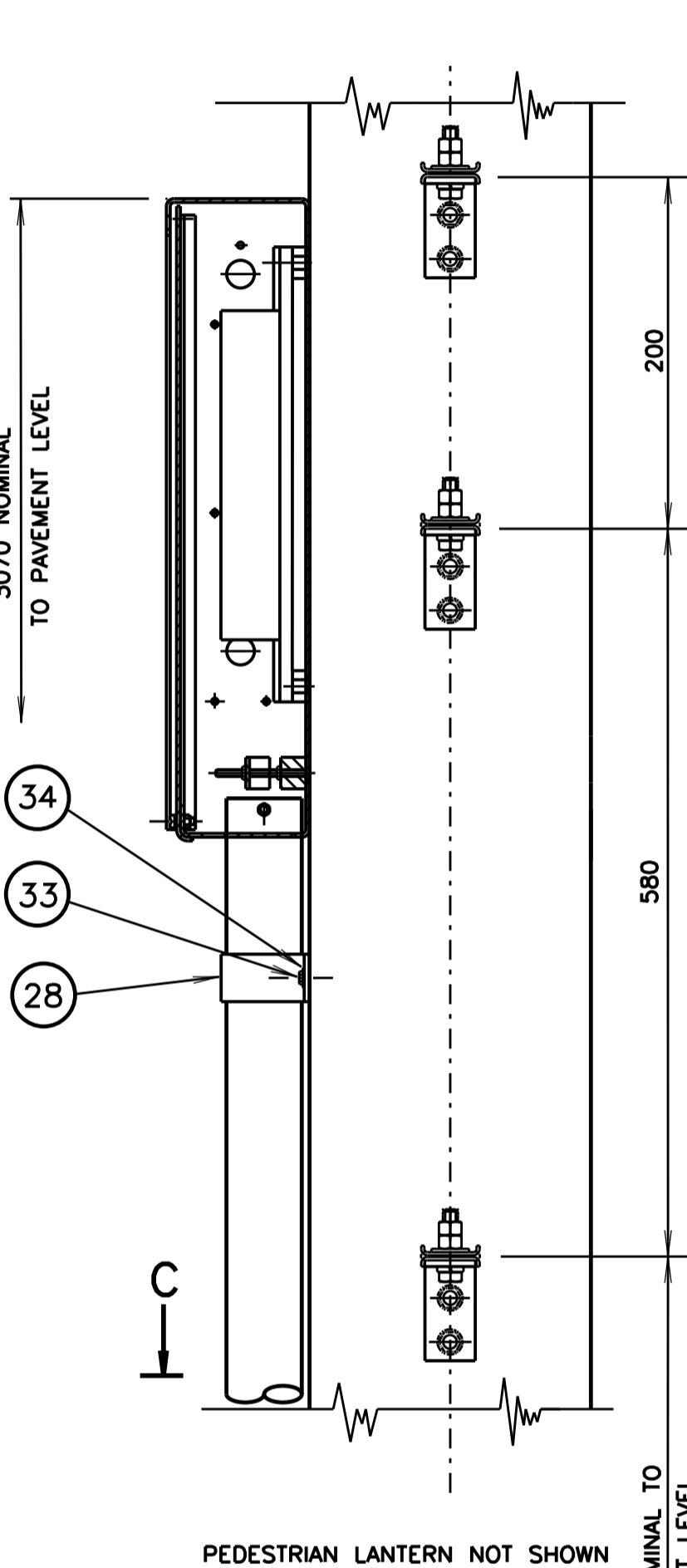
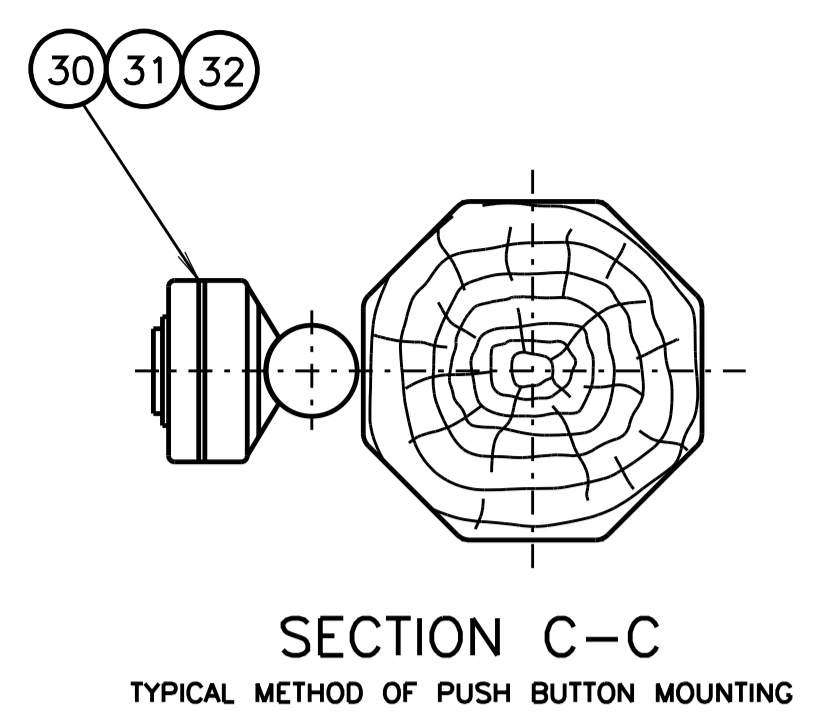


⊕ ⊖
DIMENSIONS ARE IN MILLIMETRES



- NOTES**
- SCREWS IN BOX COVER TO BE FITTED AFTER THE COVER HAS BEEN INSERTED INTO THE GUIDE RAILS IN THE BOX.
 - AFTER ALL SIGNALS HAVE BEEN AIMED, ALL LANTERNS TO BE SECURELY LOCKED IN POSITION BY INDEPENDANT MECHANICAL MEANS.
 - STANDARD MOUNTING STRAPS AS SHOWN ARE PART OF THE LANTERN ASSEMBLY, BUT IF STRAPS HAVE TO BE SELECTED TO SUIT INDIVIDUAL SITE REQUIREMENTS, REFER TO ITEMS 20 TO 26 INCLUSIVE.
 - USING ADJUSTMENT PROVIDED BY LANTERN STRAPS, ADJUST ALL LANTERNS TO BE VERTICAL WHEN VIEWED FROM THE FRONT. THIS IS THE FINAL ADJUSTMENT TO BE MADE AFTER ALL LANTERNS, TARGET BOARDS AND AUXILIARY EQUIPMENT HAVE BEEN MOUNTED ON THE POLE.
 - FOR A 3+2 ASPECT LANTERN DISPLAY, THE LANTERN LENS TO BE BLANKED OUT HAS TO BE REPLACED BY A BLANKING OUT DISC (ITEM 19) AND THE VISOR & LAMP OF THIS LANTERN HAVE TO BE REMOVED.
 - IF SPECIAL ATTACHMENTS LIKE CLOSED TYPE VISORS, ARROW MASKS, LOUVRES ETC HAVE TO BE USED, REFER TO THE OPTIONAL MATERIAL LIST FOR DETAILS.
 - THE AUDIO-TACTILE HOUSING (ITEM 29) IS SHOWN IN AN APPROXIMATE POSITION.
 - A SHORT LENGTH OF 80mm HD PVC CONDUIT TO BE USED BETWEEN THE G.I. PIPE AND THE ELBOW TO REDUCE THE CLEARANCE AROUND THE PIPE, APPLY SEALANT AROUND THE PIPE ENTRY.
 - UNLESS POLE IS LOCATED CLOSE TO CONTROLLER, THE PIPE SHALL BE TERMINATED IN A PJ PIT LOCATED BETWEEN 1 & 3 METRES FROM THE POLE.
 - THE INSTALLER SHALL ENSURE ELECTRICAL CONTINUITY IS MAINTAINED BETWEEN THE G.I. PIPE AND THE TERMINAL BOX FOR EARTHING PURPOSES BY MEANS OF AN EARTH SCREW AND EARTH WIRE FROM THE PIPE TO THE EARTH TERMINAL.
 - LOCK WASHERS (ITEM 15) ARE TO BE INSTALLED ON ALL LANTERN MOUNTING BRACKETS (ITEM 11). LOCK WASHERS ARE NORMALLY SUPPLIED WITH THE BRACKET.

OPTIONAL MATERIAL				
34	FLAT WASHER M12	MILD STEEL	HD GALV	6
33	COACH SCREW HEX. HEAD M12 x 75 LONG	MILD STEEL	HD GALV	6
32	PED PB ASSEMBLY WITH AUDIO/TACTILE FACILITY & SINGLE ARROW	VM041-31		70010011 1
31	PEDESTRIAN PUSH BUTTON DIRECTION ARROW DOUBLE	VM041-32		70010038 1
30	PEDESTRIAN PUSH BUTTON DIRECTION ARROW SINGLE	VM041-32		70010020 1
29	HOUSING FOR AUDIO TACTILE DRIVER UNIT	VE530-8		70010100 1
28	HD SADDLE TO SUIT 65 NB G.I. PIPE (HAYMAN INDUSTRIES)	MILD STEEL	HD GALV	3
27	LOUVRES Ø200	VM208-45		70015552
26	MOUNTING STRAPS, 120 BETWEEN HOLE CENTRES	VM012-7		18230305
25	" " 150 " " "	"		18230534
24	" " 200 " " "	"		18230542
23	" " 260 " " "	"		18230550
22	" " 300 " " "	"		18230569
21	" " 350 " " "	"		18230577
20	" " 400 " " "	"		18230410
19	BLANKING-OUT DISC Ø200	VM208-39		70010410
18	ARROW MASK Ø200	VM208-27		70016060
17	CLOSED TYPE 'B' VISOR, Ø200 X 300 LONG	VM208-29		70023890
16	CLOSED TYPE 'B' VISOR, Ø200 X 200 LONG	VM208-29		70023822

GENERAL MATERIAL				
15	LOCK WASHER FOR LANTERN MOUNTING STRAP	VM200-24		18233542 TO SUIT
14	POLYMERIC CABLE COVER STRIP	VC001-9		TO SUIT
13	CONDUIT 80mm	HD PVC		TO SUIT
12	ELBOW 80mm	HD PVC		1
11	LANTERN MOUNTING BRACKET	VM200-10		18230518 AS REQUIRED
10	SHORT LENGTH OF 80mm HD PVC CONDUIT	HD PVC		TO SUIT
9	65 NB MEDIUM DUTY PIPE TO AS1074	MILD STEEL	HD GALV	1
8	PEDESTRIAN LANTERN INCLUDING VISOR			70015250 AS REQUIRED
7	OPEN VISOR TYPE 'A'	VM208-31		70023814 3 6
6	TARGET BOARD MOUNTING BRACKET	VM206-13		70010160 2 4
5	TARGET BOARD 3+3 ASPECT Ø200	VM206-14		70010712 - 1
4	TARGET BOARD 3 ASPECT Ø200	VM206-14		70010690 1 -
3	3 ASPECT Ø200 LANTERN			70015161 1 2
2	TERMINAL BOX ASSEMBLY	VM015-21		18230607 1 1
1	WOODEN POST			

P ISSUE 11-08-99
J/1 TC 2797
DWG REDRAWN & REF TO
CUT-AWAY VISORS AND
4 ASPECT LANTERNS
DELETED. ITEMS 15,
25, 26, 37 & 38 ADDED.
ITEM NOS CHANGED.
NOTES 11, 12 AND 13
ADDED.
RVC BWT
O ISSUE 10-03-04
METHOD OF PIPE ENTRY
INTO TERMINAL BOX
CHANGED.
G.B.
B.W.T.
R ISSUE 27-05-2011
DISTANCE TO THE 1st. LUG
(ITEM 11) WAS 2220mm.
FROM GROUND LEVEL.
DISTANCE BETWEEN THE
2nd. & 3rd. LUGS WAS
280mm.
A.K.
B.W.T.
S ISSUE 11-03-2016
IN SECTION B-B, ITEM 9
WAS 13.
BWT

REFERENCE DRAWINGS	DRAWN	CHRISTIE	06-10-81
TERM BOX ASSEMBLY VM015-21	CHECKED	RB	15-10-81
TERMINAL BLOCK VM015-19	PASSED	BT	10-12-81
GENERAL ARRANGE VM015-18	APPROVED		
TYPICAL EXCAVATION VC001-9			
AUDIO/TACT MTG BKT VM626-7			
LOCK WASHER VM200-24			
LANTERN STRAPS VM012-7			
		D CLARK	
			DATE 15-12-1981

ROADS AND MARITIME SERVICES		SHEET SIZE	FILE NO	SCALE	SHEET NO
TRAFFIC SIGNALS		A1			
ASSEMBLY DETAILS		SUPERSEDES ISSUE 0		ISSUE 1/1/15	
OF THE TERMINAL BOX, LANTERNS AND		REG NO			
PUSH BUTTONS ON WOODEN POLES		VM015-16			