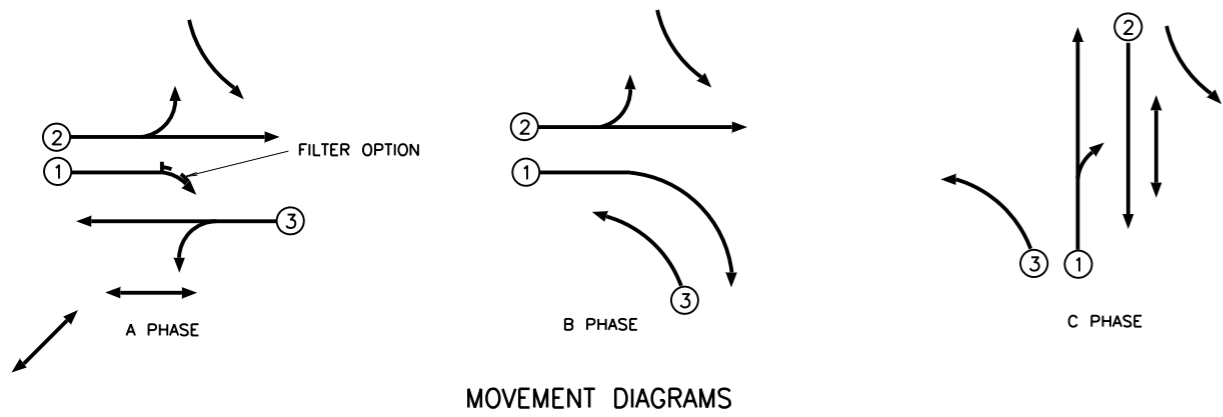
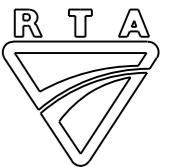


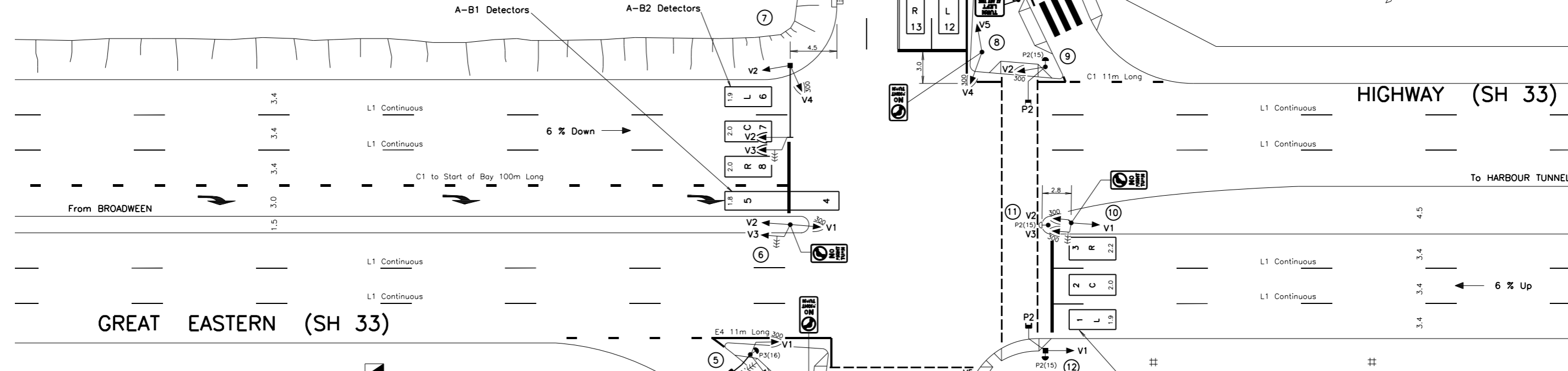
**DRAWN BY CADD  
DO NOT AMEND MANUALLY**

DATE IN SERVICE : 00/00/00



POSTS			
POST	TYPE	LENGTH	REMARKS
1	2	4.1	NEW
2	2	4.1	NEW
3	2	4.1	NEW
4	2	3.2	NEW
5	2	4.1	NEW
6	2	4.1	NEW
7	9	-	NEW
8	2	4.1	NEW
9	2	4.1	NEW #
10	2	4.1	NEW
11	13	-	NEW
12	6	-	NEW

# Type 9 with 7.0m outreach



**DETECTOR SPECIFICATION SCHEDULE**

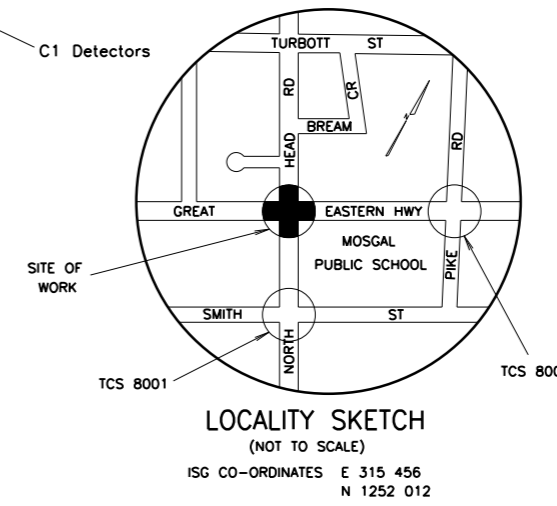
DETECTOR	SPECIFICATION			
	FN	A(L)	A(E3)	
A	FN	A(L)	A(E3)	
A-B1 Depart & Approach	FN	B(PR)		
A-B1 Approach	FN	A(L), B(L)	A(E1)	B(E1)
A-B2	FN	A(L)	A(E2)	B(E2)
B-C	FN	B(L)	B(E3)	C(E3)
C1	FN	C(L)	C(E1)	
C2	FN	C(L)	C(E2)	
P1	FN	A(PB)	C(L)	
P2	FN	C(PB)	A(L)	
P3	FN	A(PB)	C(L)	

**SIGNAL GROUP/PHASE CHART**

SIGNAL GROUP	Phase during green is displayed			Standard Table	Remarks
	A	B	C		
V1	X			1	
V2	X	X		3	
V3		X		41	Timed red arrow protection for P1 Ped. Z-filter option
V4			X	1	
V5			X	1	
V6		X	X	11	
P1	X			1	
P2			X	1	
P3	X			1	

**NOTES**

- SPECIAL STOP SIGN R1-202 IS PLACED ON POSTS 2, 3 & 8.
- AUDIO-TACTILE FACILITIES ARE PROVIDED FOR PUSH-BUTTONS ON POSTS 1, 2, 4, 5, 9 & 12.
- THIS SITE IS SCATS LINKED.
- SEE PLAN REG NO 0033.900.RC.6000 FOR CHANNELISATION DETAILS.
- COUNCIL TO PROVIDE KERB RAMPS AT PEDESTRIAN CROSSINGS.



**TYPICAL DESIGN LAYOUT**

'F' ISSUE 08-09-99 J/I TC2615 PLAN REDRAWN RVC/IH BWT 'G' ISSUE 08-04-2010 PLAN UPDATED TO CURRENT STANDARDS LCT	<b>REFERENCE DRAWINGS</b> SYMBOLS & ABBREV V0003-6 STANDARD POSITION V0001-5 SG DISPLAY SEQ TS-TN-019 DET SPEC SCHEDULE TS-TN-020 CABLE INSTALLATION V0002-23 CABLE CHART V0002-37 CONTROLLER FOOTING V0002-73 PB ARROW ALIGN V0001-7 A/TACTILE INSTALL VE530-8 TYPE 2 POST VM202-1 TYPE 13 PB POST VM202-13 POST FOOTING VC002-51 MA5 GEN ARRANGE VM211-6 TYPE 6 ARRANGE VM212-2 DRAWN JB 20-12-81 CHECKED RB 9-03-82 PASSED BWT 24-03-82 APPROVED <b>FR HULSCHER</b> DATE 29-03-82	<b>ROADS AND TRAFFIC AUTHORITY NSW</b> <b>MUNICIPALITY OF MOSGAL</b> <b>GREAT EASTERN HIGHWAY (SH33)</b> <b>&amp; NORTH HEAD ROAD</b> <b>MOSGAL</b>	REGION: CENTRAL EASTERN SCALE 5 0 5 10 FILE 900.TS.000 REG. NO. <b>VD002-22</b>	SHEET <b>1</b> ISSUE G
			DIMENSIONS ARE IN METRES	