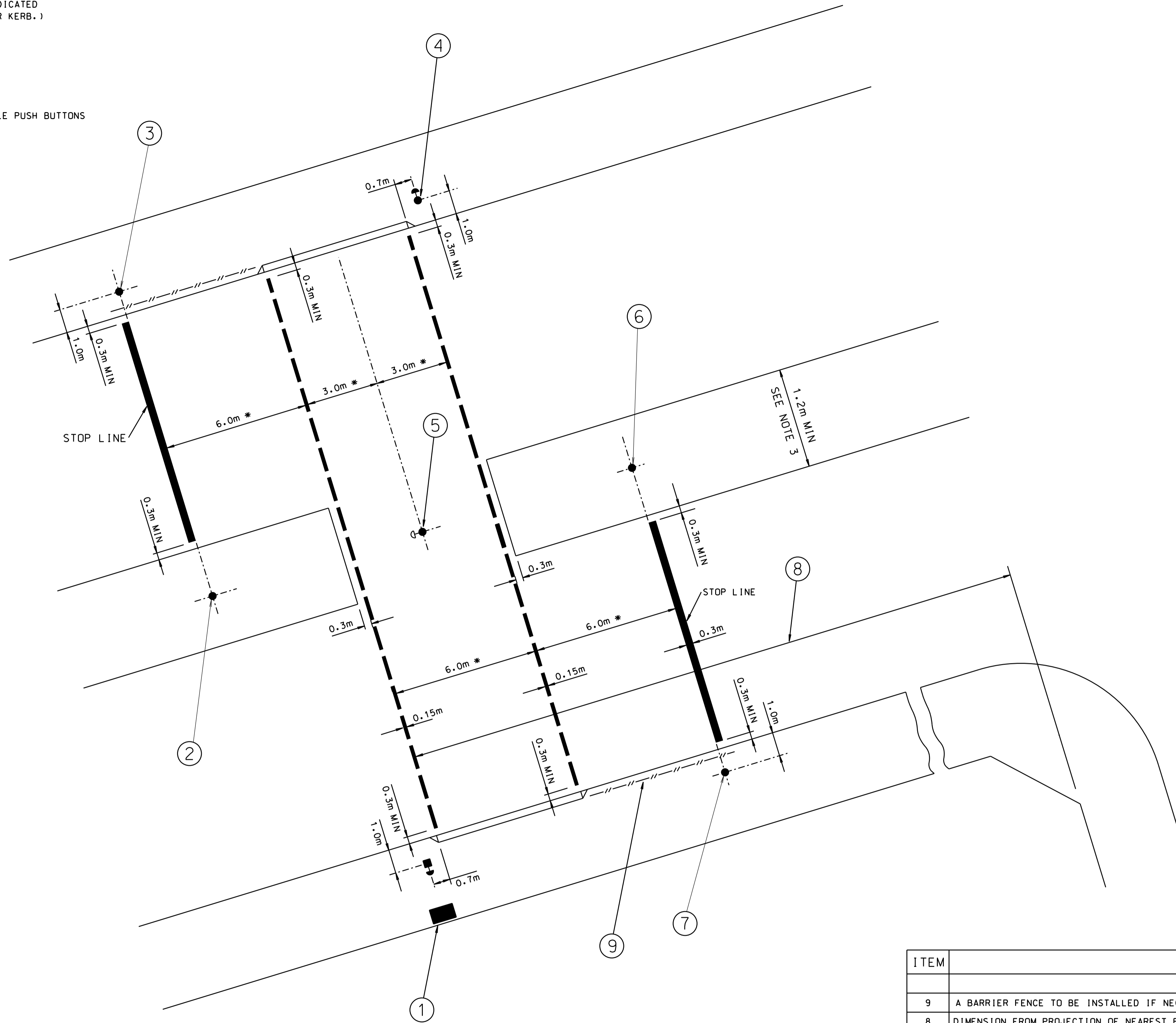
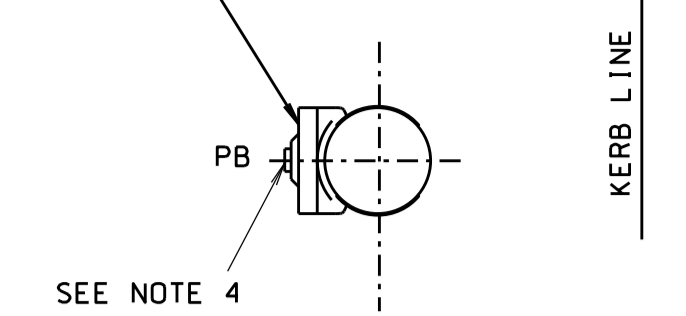


NOTES

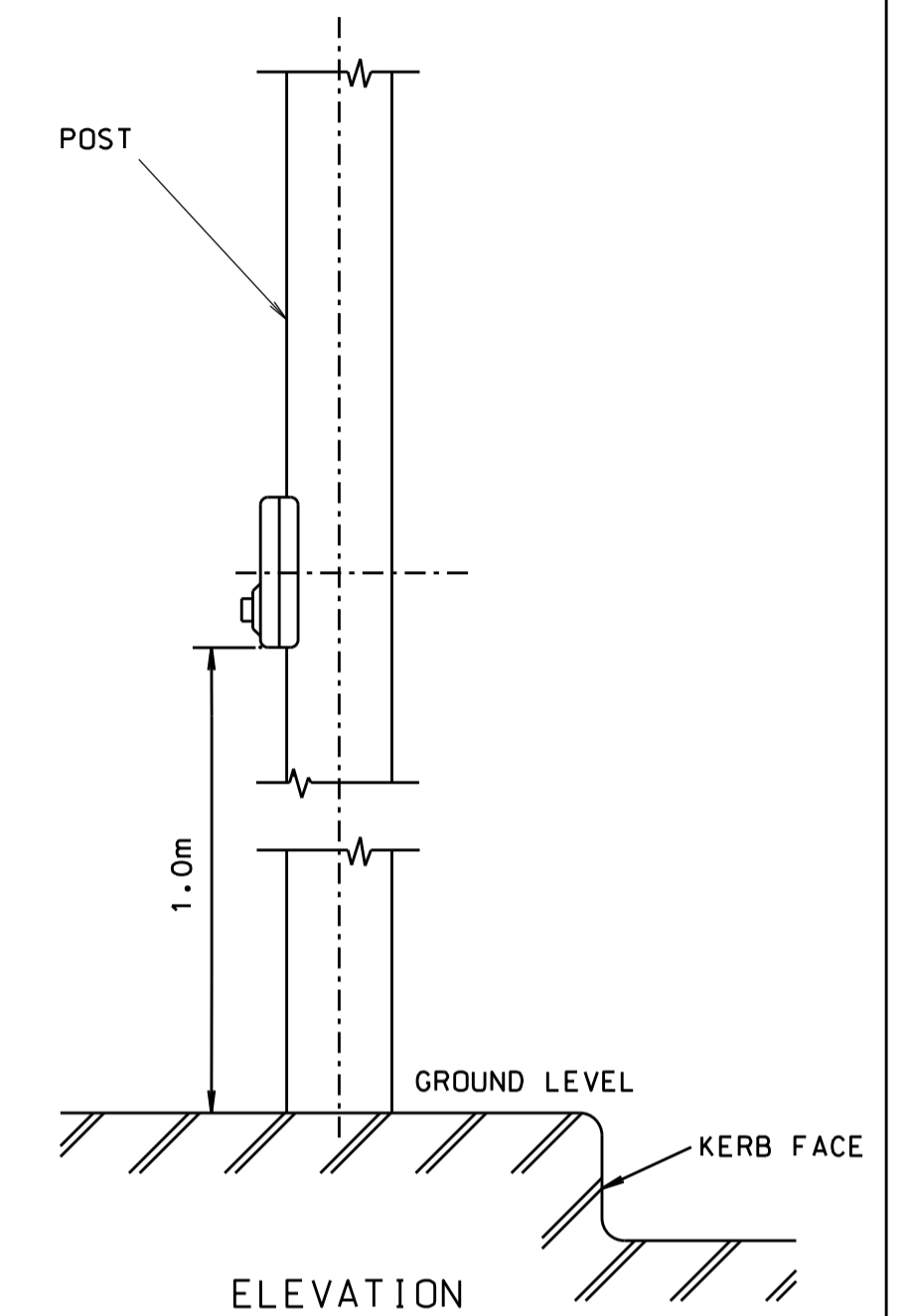
1. POSTS ARE TO BE POSITIONED AS SHOWN UNLESS OTHERWISE INDICATED ON DESIGN PLAN. (NOT LESS THAN 1.0m FROM FACE OF BARRIER KERB.)
2. \* NOMINAL DIMENSION ONLY.
3. MINIMUM WIDTH OF MEDIAN:  
1.2 METRES FOR SINGLE 200mm LANTERN.  
1.5 METRES FOR SINGLE 300mm LANTERN.
4. FOR APPLICATION AND INSTALLATION DETAILS OF AUDIO-TACTILE PUSH BUTTONS REFER TO PLAN VE530-8.



FRONT OF PUSH BUTTON TO BE PARALLEL TO THE KERB (EXCEPT ON MEDIANS)



PLAN



ELEVATION

INSET SHOWING STANDARD POSITIONING OF PB

DIMENSIONS ARE IN MILLIMETRES UNLESS OTHERWISE SHOWN

ITEM	DETAIL
9	A BARRIER FENCE TO BE INSTALLED IF NECESSARY
8	DIMENSION FROM PROJECTION OF NEAREST BUILDING LINE TO BE MEASURED ALONG PROJECTION OF KERB LINE
7	POST ON EDGE OF STOP LINE PROJECTION
6	POST IN MEDIAN STRIP ON $\phi$ OF MEDIAN & ON EDGE OF STOP LINE PROJECTION
5	SHORT PUSH BUTTON TYPE 13 POST (REFER PLAN VM202-13)
4	POST WITH PUSH BUTTON 0.7m FROM EDGE OF PEDESTRIAN CROSSING PROJECTION
3	POST ON EDGE OF STOP LINE PROJECTION
2	POST IN MEDIAN STRIP ON $\phi$ OF MEDIAN & ON EDGE OF STOP LINE PROJECTION
1	GROUND-MOUNTED CONTROLLER

'E' ISSUE 12-8-99  
J/1 TC2551  
PLAN REDRAWN.  
RVC BWT  
'F' ISSUE 1-4-2010  
PLAN UPDATED TO  
CURRENT STANDARDS  
LCT BWT.  
'G' ISSUE 7-6-2011  
ITEMS 2,3,6, & 7  
IN TABLE STATED THAT  
POST WAS ON THE  
CENTRE OF STOP LINE.  
A.K.A. B.W.T.

REFERENCE DRAWINGS			
CONTROLLER FOOTING	VCO02-43	A/TACTILE INSTALL	VE530-8
POST FOOTING	VCO02-51		
PB ARROW ALIGNMENT	VD001-7		
STD DESIGN LAYOUT	VD002-20	TYPE 2 POST	VM202-1
STD CABLE INSTALL	VD002-21		
SYMBOLS & ABBREV	VD003-6	TYPE 2 POST ASSY	VM202-8
		TYPE 13 PB POST	VM202-13

DRAWN JB 24-03-82  
CHECKED RB 25-3-82  
PASSED BWT 26-3-82  
APPROVED  
F HULSCHER  
DATE 14-04-82

ROADS AND TRAFFIC AUTHORITY NSW  
TRAFFIC SIGNALS  
TRAFFIC CONTROL SIGNALS  
STANDARD POSITIONING OF COMPONENTS  
AT MID-BLOCK LOCATIONS

SHEET SIZE A1	FILE NO	SCALE 1:100	SHEET NO
SUPERSEDES ISSUE D		ISSUE <input checked="" type="checkbox"/> F	
REG NO		VD001-6	