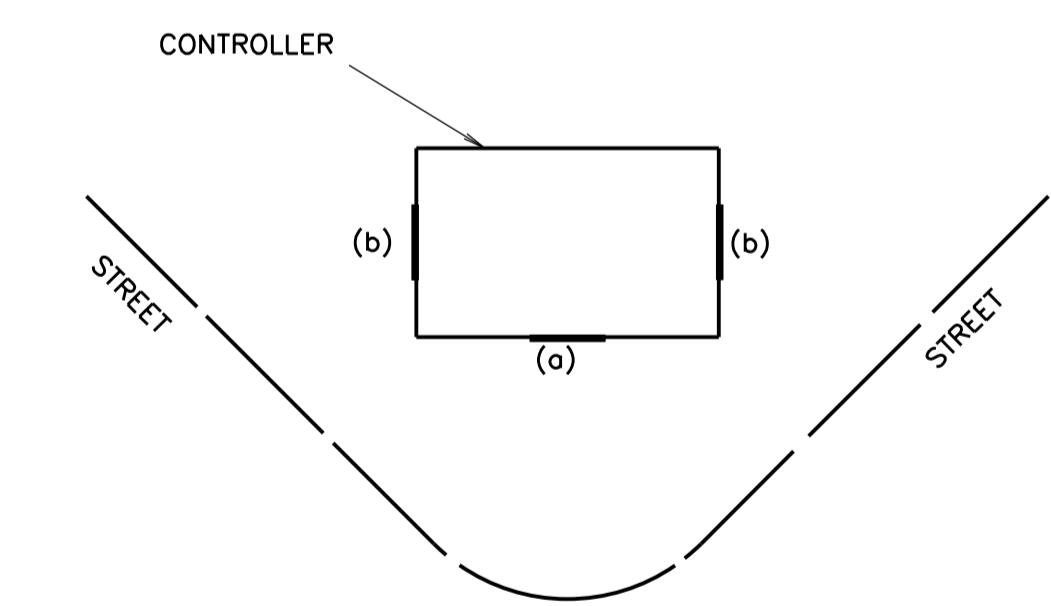
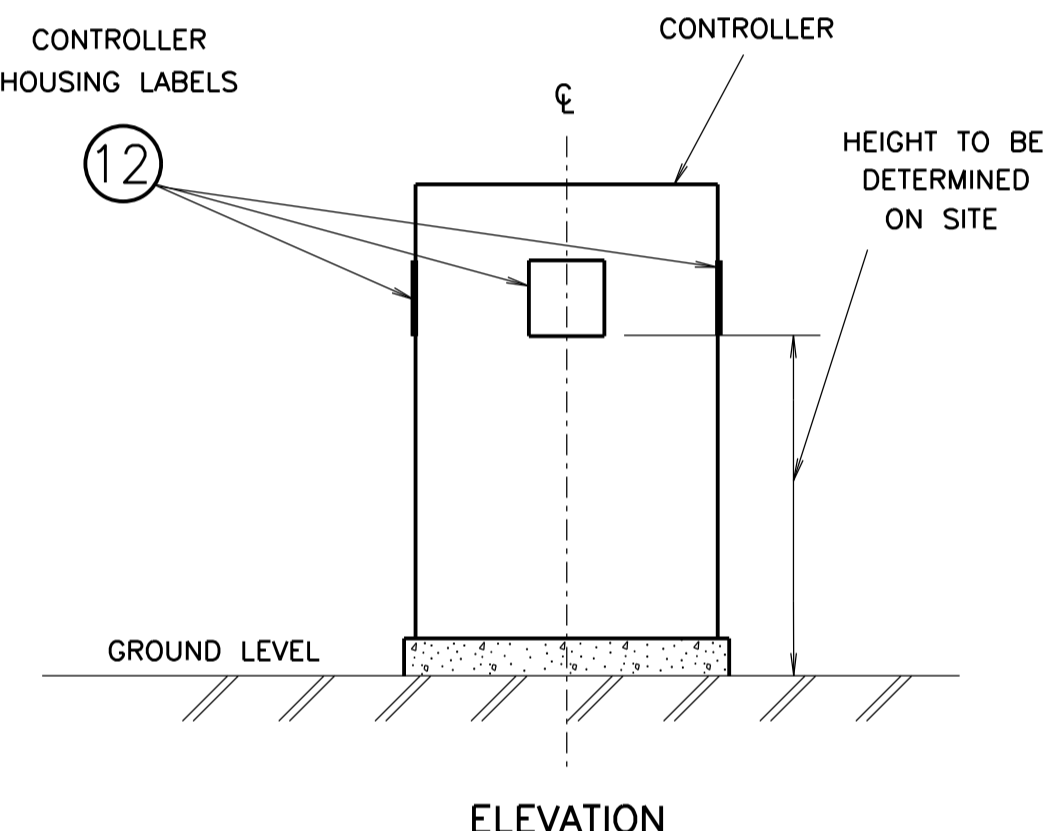
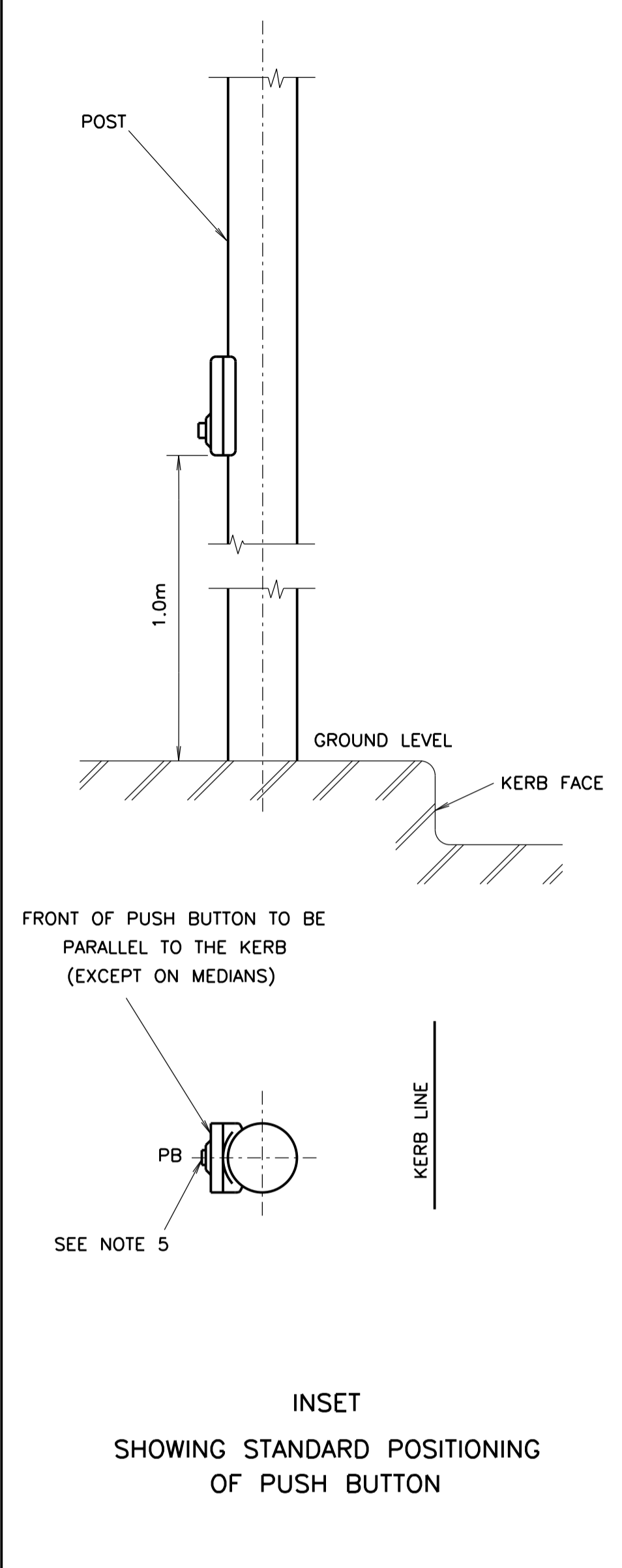
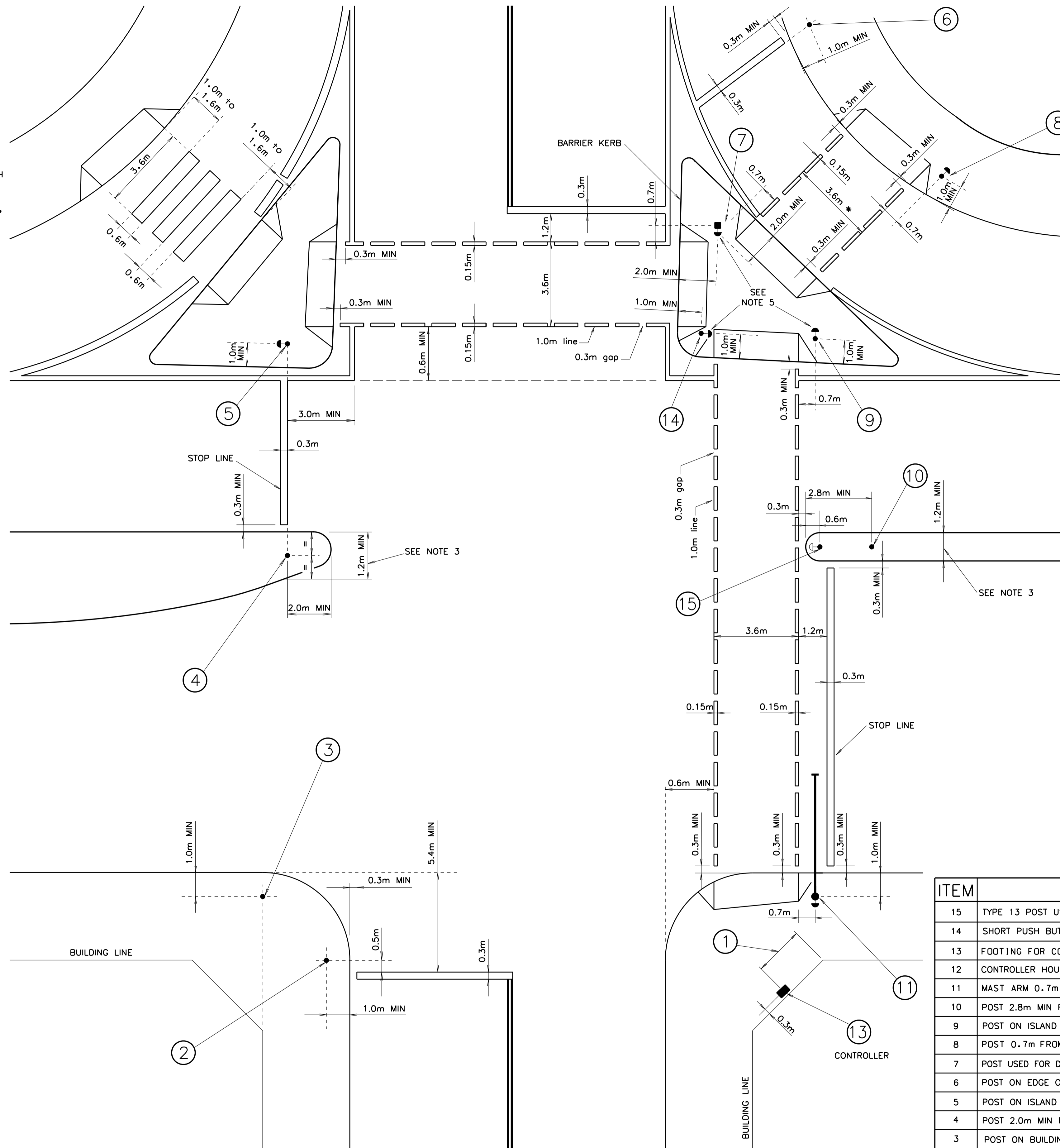


NOTES

- POSTS ARE TO BE POSITIONED AS SHOWN UNLESS OTHERWISE INDICATED ON DESIGN PLAN (NOT LESS THAN 1.0m FROM FACE OF BARRIER KERB).
- * NOMINAL DIMENSION ONLY.
- MINIMUM WIDTH OF MEDIAN:
1.2m FOR SINGLE 200mm LANTERN.
1.5m FOR DUAL 200mm LANTERNS OR SINGLE 300mm LANTERN.
1.8m FOR DUAL 300mm LANTERN.
- FOR DETAILS OF APPLICATION AND INSTALLATION OF AUDIO-TACTILE PUSH BUTTONS REFER TO PLAN VE530-8.
- FOR DETAILS OF ORIENTATION OF PEDESTRIAN PUSH-BUTTON ARROW DISCS, REFER TO PLAN VD001-7.



CONTROLLER HOUSING LABELS (3 PER CONTROLLER)

PLAN

THE LABELS ARE TO BE PLACED ON THE CONTROLLER AS FOLLOWS:

(a) ONE LABEL FACES THE STREET.
(b) ONE LABEL ON EACH SIDE OF CONTROLLER.

INSET

SHOWING STANDARD POSITIONING OF CONTROLLER HOUSING LABELS

DIMENSIONS ARE IN MILLIMETRES UNLESS OTHERWISE SHOWN

ITEM	DETAIL
15	TYPE 13 POST USED WHERE MEDIAN POST WOULD BE EXPOSED TO DAMAGE AT THIS LOCATION
14	SHORT PUSH BUTTON POST USED TO SEPARATE AUDIO-TACTILE PUSH BUTTONS
13	FOOTING FOR CONTROLLER HOUSING (REFER PLAN VC002-73)
12	CONTROLLER HOUSING LABELS
11	MAST ARM 0.7m FROM EDGE OF CROSSING PROJECTION
10	POST 2.8m MIN FROM ROUNDED TIP (TO PROVIDE 2.2m MIN BETWEEN POSTS FOR LADDER ACCESS)
9	POST ON ISLAND 1.0m (NORMAL) FROM EDGE, 0.7m BEHIND CROSSING PROJECTION
8	POST 0.7m FROM EDGE OF PEDESTRIAN CROSSING PROJECTION
7	POST USED FOR DUAL PED LANTERNS ON EDGE OF PED CROSSING PROJECTIONS IN ISLAND CENTRE
6	POST ON EDGE OF STOP LINE PROJECTION
5	POST ON ISLAND 1.0m (NORMAL) FROM EDGE.
4	POST 2.0m MIN FROM ROUNDED TIP
3	POST ON BUILDING LINE PROJECTION
2	POST 0.5m BEYOND FRONT EDGE OF THE STOP LINE
1	DIMENSION TO CENTRE OF CONTROLLER

F ISSUE 1999-12-10
J/1 TC2550
PLAN REDRAWN.
DELETED PB LABEL.
ADDED ITEM 14. BWT
RVC
G. ISSUE 01-04-2010
PLAN UPDATED TO
CURRENT STANDARDS
LCT
H. ISSUE 17-6-2011
LINE WAS SHOWN
ON CENTRE OF STOP
LINE. ITEM 5 WAS SHOWN
0.5m FROM EDGE OF
STOP LINE. B.W.T.

REFERENCE DRAWINGS			
CONTROL FOOTING	VC002-24	A/TACTILE INSTALL	VE530-8
POST FOOTING	VC002-51		
PRES DETECTORS	VC005-17	HOUSING ARRANGE	VM625-17
TYPICAL DESIGN	VD002-22	TYPE 2 POST	VM202-11
PB ARROW ALIGN	VD001-7	TYPE 2 POST ASSBLY	VM202-8
STD DESIGN LAYOUT	VD002-23	TYP 13 P.B POST	VM202-13
SYMBOL & ABBREV	VD003-6		

DRAWN J. CHRISTIE 14-12-81
CHECKED RB 25-03-82
PASSED BWT 26-3-82
APPROVED
F. HULSCHER
DATE 14-04-1982

ROADS AND TRAFFIC AUTHORITY NSW
TRAFFIC SIGNALS

TRAFFIC CONTROL SIGNALS
STANDARD POSITIONING OF COMPONENTS
AT INTERSECTIONS

SHEET SIZE	FILE NO	SCALE	SHEET NO
A1		1:100	
SUPERSEDES ISSUE E		ISSUE F	G H
REG NO		VD001-5	