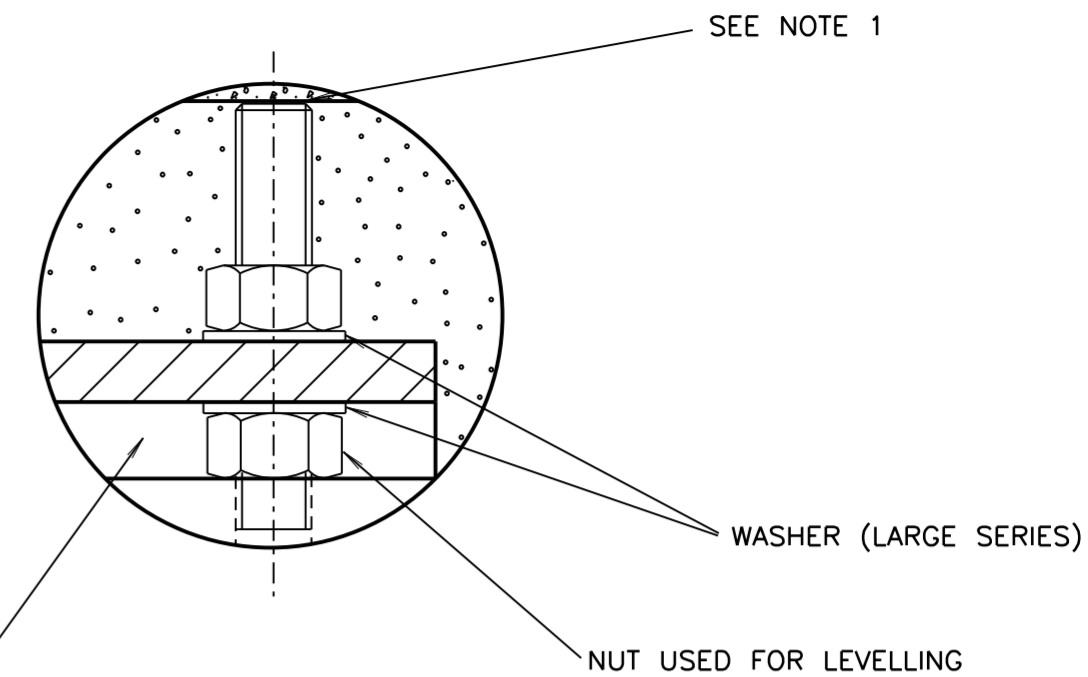
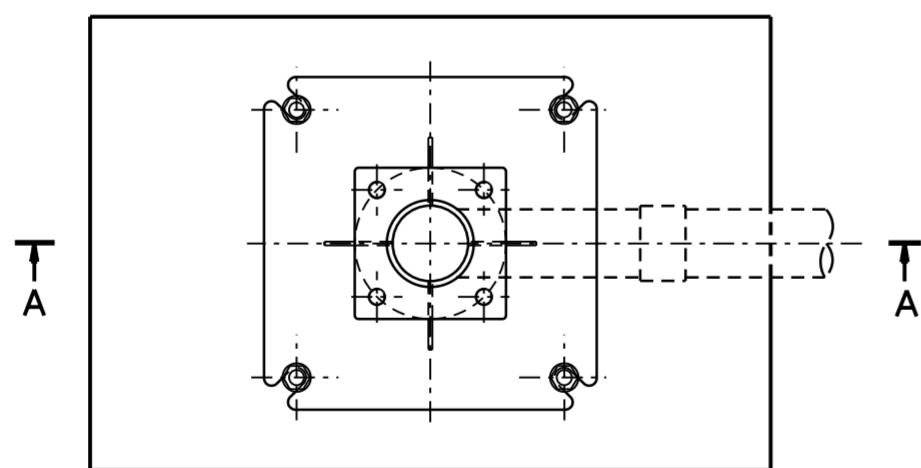


SECTION A-A

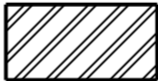




DETAIL C
SCALE 1:2



PLAN VIEW
TOP COVERING REMOVED

LEGEND

-  FOOTPATH
-  CONCRETE
-  SAND

NOTES

1. A MINIMUM OF 3 BOLT THREADS TO PROTRUDE OUT OF THE NUT. THE EXPOSED THREAD IS TO BE COVERED WITH PVC TUBE OR TAPE.
2. FINISH POST MOUNTING AREA WITH 50mm CONCRETE 500x500mm. ASPHALT SHALL BE USED INSTEAD OF CONCRETE WHEN REQUIRED BY THE MUNICIPAL AUTHORITY.
3. MASTIC EXPANSION JOINTS TO BE USED BETWEEN THE TOP OF POST FOOTING AND ALL CONCRETE SURFACES, INCLUDING PAVEMENT JUNCTION PITS.

 DIMENSIONS ARE IN MILLIMETRES

A ORIGINAL ISSUE

REFERENCE DRAWINGS		DRAWN	A. LIYANAGE 05/09/2017
ADAPTOR STOOL	VM202-26	CHECKED	I. HAYES 05/09/2017
TYPE 2 FOOTING	VC002-71	PASSED	B. TAYLOR 19/09/2017
		APPROVED	K. SHI MANAGER STDS & QUAL DATE 19/09/2017

ROADS AND MARITIME SERVICES
TRAFFIC SIGNALS

METHOD OF INSTALLATION OF
AN ADAPTOR STOOL TO SUIT
TYPE 7,8 & 13 POSTS
ON AN EXISTING TYPE 2 FOOTING

SHEET SIZE	FILE NO	SCALE	SHEET NO
A2		1:10	
SUPERSEDES:		ISSUE	A
REG NO		VC002-82	