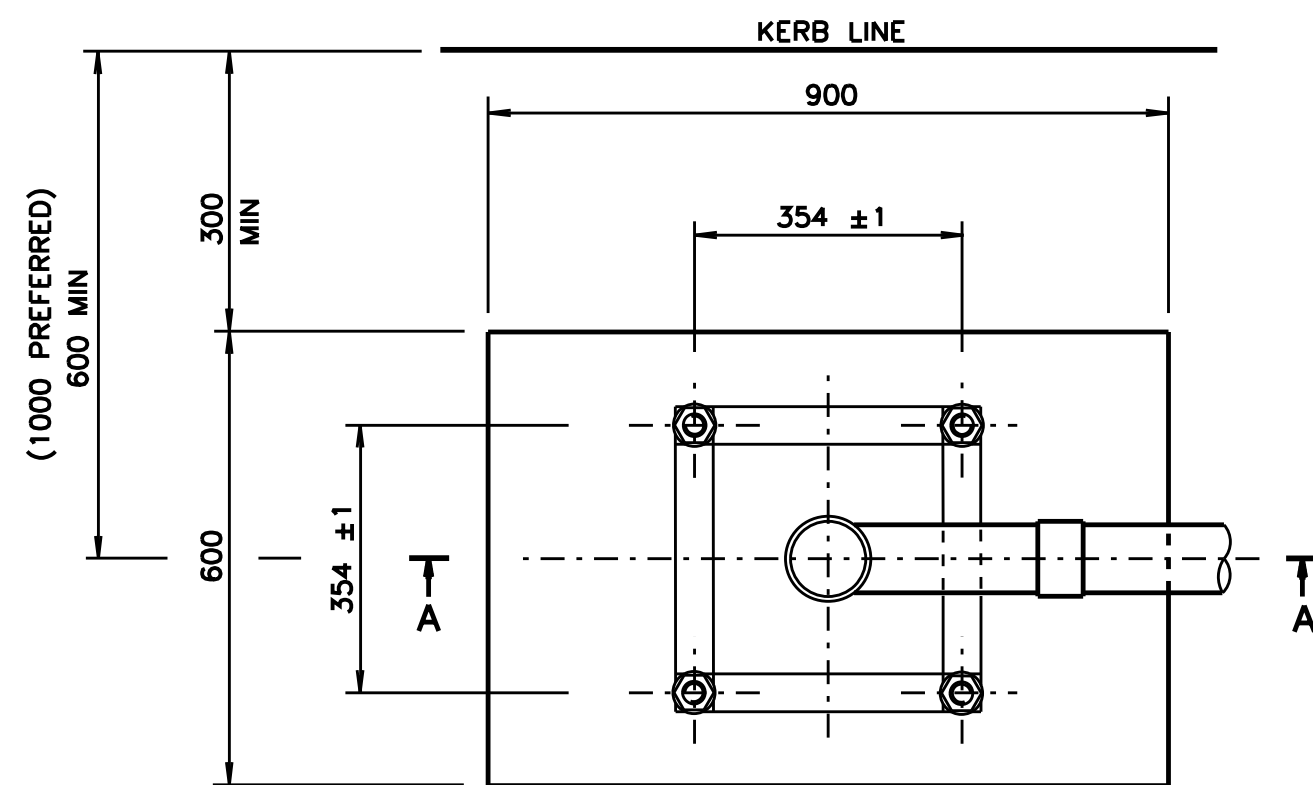


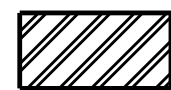


SECTION A-A

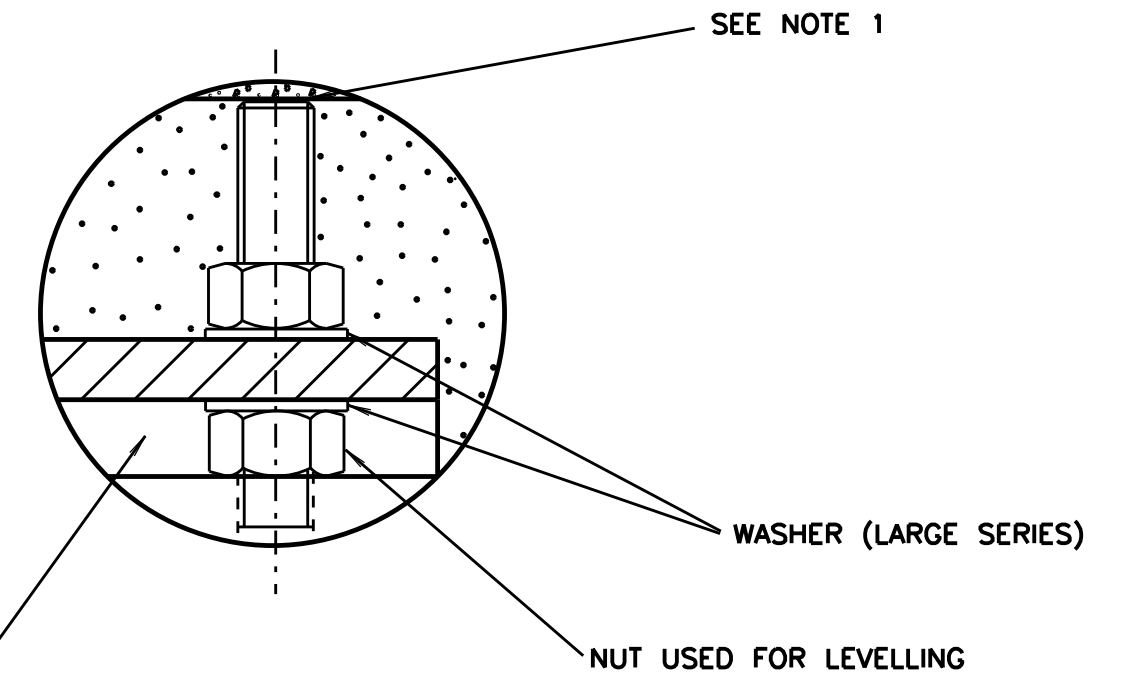
TYPICAL 90° x 80 NB BEND INTO FOOTING POINTING IN THE DIRECTION REQUIRED



SECTION B-B  
(POST & TOP COVERING)

LEGEND

-  FOOTPATH
-  CONCRETE
-  SAND



DETAIL C  
SCALE 1:2

FILL GAP AROUND BASEPLATE WITH WEAK MORTAR MIX TO PREVENT INGRESS OF SAND

NOTES

1. A MINIMUM OF 3 BOLT THREADS TO PROTRUDE OUT OF THE NUT. THE EXPOSED THREAD IS TO BE COVERED WITH PVC TUBE OR TAPE.
2. FINISH POST MOUNTING AREA WITH 50mm CONCRETE 500x500mm. ASPHALT SHALL BE USED INSTEAD OF CONCRETE WHEN REQUIRED BY THE MUNICIPAL AUTHORITY.
3. IF THE FOOTING IS TO BE USED FOR A TYPE 4 MAST ARM, THE DEPTH SHOULD BE INCREASED TO 950mm. A PRE-CAST FOOTING IS NOT TO BE USED FOR A MAST ARM.
4. THE TOTAL FOOTING DEPTH OF 750mm MAY NEED TO BE INCREASED FOR POSTS INSTALLED IN UNPAVED AREAS WITH UNSTABLE SOIL.
5. MASTIC EXPANSION JOINTS TO BE USED BETWEEN THE TOP OF POST FOOTING AND ALL CONCRETE SURFACES INCLUDING PAVEMENT JUNCTION PITS.
6. THE COMPLETE FOOTING TO BE CAST IN SITU IN ONE SINGLE CONCRETE POURING OPERATION.
7. IN SITUATIONS WHERE THE FOOTING IS IN BACKFILL, eg THE FINISHED GROUND LEVEL BEING HIGHER THEN THE EXISTING GROUND LEVEL, THE FOOTING SHALL BE BUILT AFTER THE GROUND HAS BEEN BACKFILLED AND COMPACTED TO THE REQUIRED SOIL STRENGTH.
8. WHERE THE FOOTING IS INSTALLED IN AN UNSEALED FOOTWAY, A SUITABLE SQUARE MASTIC EXPANSION JOINT BOX FRAME SHALL BE PROVIDED FOR THE FULL 150mm FROM THE TOP OF THE CONCRETE FOOTING TO PREVENT THE SAND FROM BEING WASHED AWAY UNDER THE CONCRETE COVERING.
9. A PRE-CAST CONCRETE FOOTING MAY BE USED IN SPECIAL SITUATIONS, SUCH AS IN MEDIANS, ETC. THE CONDITION OF USE OF PRE-CAST FOOTINGS SHALL BE SUBJECT TO THE RMS REPRESENTATIVE'S AGREEMENT TO ENSURE THE PRE-CAST BLOCK IS OF THE CORRECT SIZE AND IS SITTING ON A LEVEL BASE OF SAND WITH A 14:1 MIXTURE OF SAND AND CEMENT, WELL COMPACTED AROUND THE ENTIRE BLOCK. THE PROPOSED USE OF SUCH A PRE-CAST FOOTING SHALL CONSTITUTE A 'HOLD POINT'.

 DIMENSIONS ARE IN MILLIMETRES

A ORIGINAL ISSUE  
B ISSUE 04-06-2015 AREA OF CONCRETE COVERING REDUCED TO 500x500mm. NOTES 6, 7 & 8 ADDED. DB BWT  
C ISSUE 13-12-2017 NOTES 3 & 6 AMENDED. NOTE 9 RE USE OF PRE-CAST FOOTING ADDED. IH

REFERENCE DRAWINGS		DRAWN	F PINSON 13/12/08
TYPE 2 POST	VM202-1	CHECKED	I. HAYES 23-12-2008
TYP EXCAVATION	VC001-9	PASSED	B. TAYLOR 25-02-09
BOLT ASSEMBLY	VC002-50	APPROVED	SUNIL SRIVASTAVA MANAGER STDS & QUAL DATE 25-02-09

ROADS AND MARITIME SERVICES  
TRAFFIC SIGNALS

FOOTING  
FOR TYPE 2 POST

SHEET SIZE	FILE NO	SCALE	SHEET NO
A2		1:10	
SUPERSEDES: VC002-51		ISSUE	A/B/C
REG NO		VC002-71	