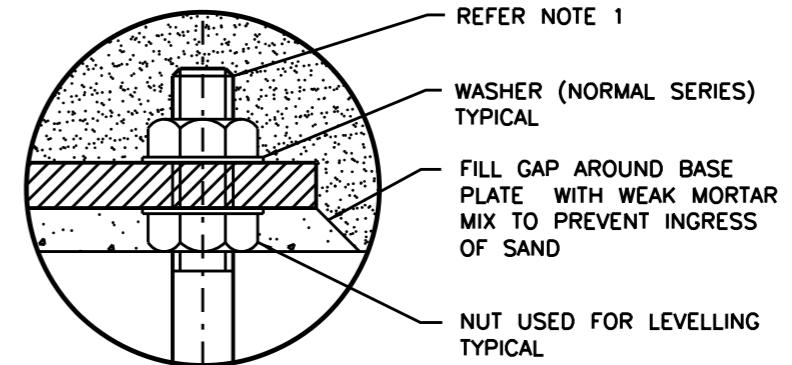
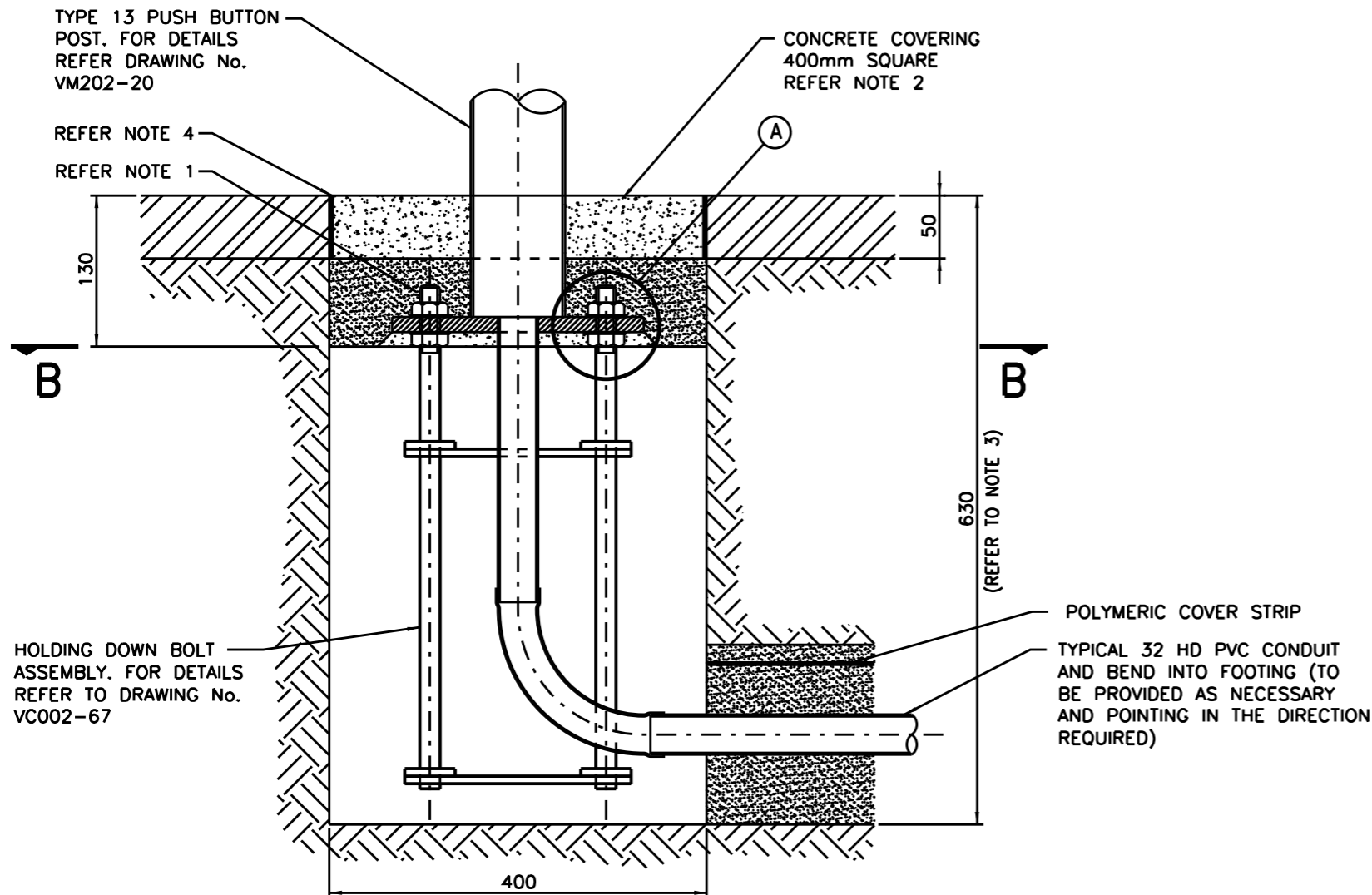


SECTION B-B

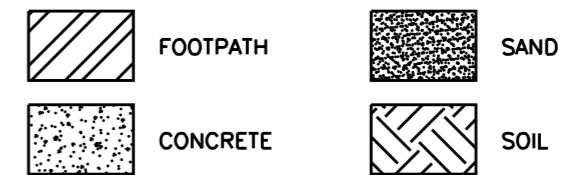


DETAIL 'C'



SECTION A-A

LEGEND:



NOTES:

1. A MINIMUM OF 3 THREADS TO PROTRUDE OUT OF NUT. THE EXPOSED THREAD TO BE COVERED WITH PVC TUBE OR TAPE.
2. FINISH POST MOUNTING AREA WITH 50mm CONCRETE. ASPHALT SHALL BE USED INSTEAD OF CONCRETE WHEN REQUIRED BY THE MUNICIPAL AUTHORITY.
3. THE TOTAL FOOTING DEPTH OF 500mm MAY NEED TO BE INCREASED FOR POSTS INSTALLED IN UNPAVED AREAS WITH UNSTABLE SOILS.
4. MASTIC EXPANSION JOINTS TO BE USED BETWEEN THE TOP OF POST FOOTING AND ALL CONCRETE SURFACES INCLUDING PJ PITS.
5. A PRE-CAST CONCRETE FOOTING MAY BE USED IN SPECIAL SITUATIONS, SUCH AS IN MEDIANS, ETC. THE CONDITION OF USE OF PRE-CAST FOOTINGS SHALL BE SUBJECT TO THE RMS REPRESENTATIVE'S AGREEMENT TO ENSURE THE PRE-CAST BLOCK IS OF THE CORRECT SIZE AND IS SITTING ON A LEVEL BASE OF SAND WITH A 14:1 MIXTURE OF SAND AND CEMENT, WELL COMPACTED AROUND THE ENTIRE BLOCK. THE PROPOSED USE OF SUCH A PRE-CAST FOOTING SHALL CONSTITUTE A 'HOLD POINT'.

A ORIGINAL ISSUE	BW.T.
B ISSUE 02-11-2010 WASHERS WERE LARGE SERIES. DEPTH OF EXCAVATION WAS 700. AK.	BW.T.
C ISSUE 14-09-2012 400mm ² CONCRETE COVER WAS 300mm ² . I.H.	BW.T.
D ISSUE 13-12-2017 NOTE 5 RE USE OF PRE-CAST FOOTING ADDED.	I.H.

REFERENCE DRAWINGS	
Type 13 Post	VM202-20
Holding Down Bolt	VC002-67
Adaptor Plate	VM202-21

ROADS AND MARITIME SERVICES	
TRAFFIC SIGNALS	
FOOTING FOR TYPE 13 PUSH	
BUTTON POST	
(WITH 200mm PCD HOLDING DOWN BOLT CENTRES)	

SCALE		APPROVED: 2003-11-27
NTS		S. SRIVASTAVA
SUPERSEDES:		MANAGER EQUIPMENT & STDS
DRAWN	T.K. 02/07/03	ISSUE
CHECKED	IH 2003-10-01	
PASSED	B. TAYLOR 2003-11-25	

SCALE		APPROVED: 2003-11-27
NTS		S. SRIVASTAVA
SUPERSEDES:		MANAGER EQUIPMENT & STDS
DRAWN	T.K. 02/07/03	ISSUE
CHECKED	IH 2003-10-01	
PASSED	B. TAYLOR 2003-11-25	

SCALE		APPROVED: 2003-11-27
NTS		S. SRIVASTAVA
SUPERSEDES:		MANAGER EQUIPMENT & STDS
DRAWN	T.K. 02/07/03	ISSUE
CHECKED	IH 2003-10-01	
PASSED	B. TAYLOR 2003-11-25	

VC002-66