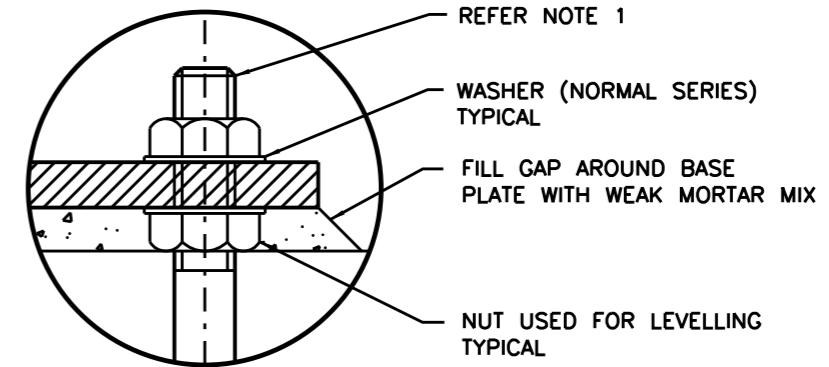


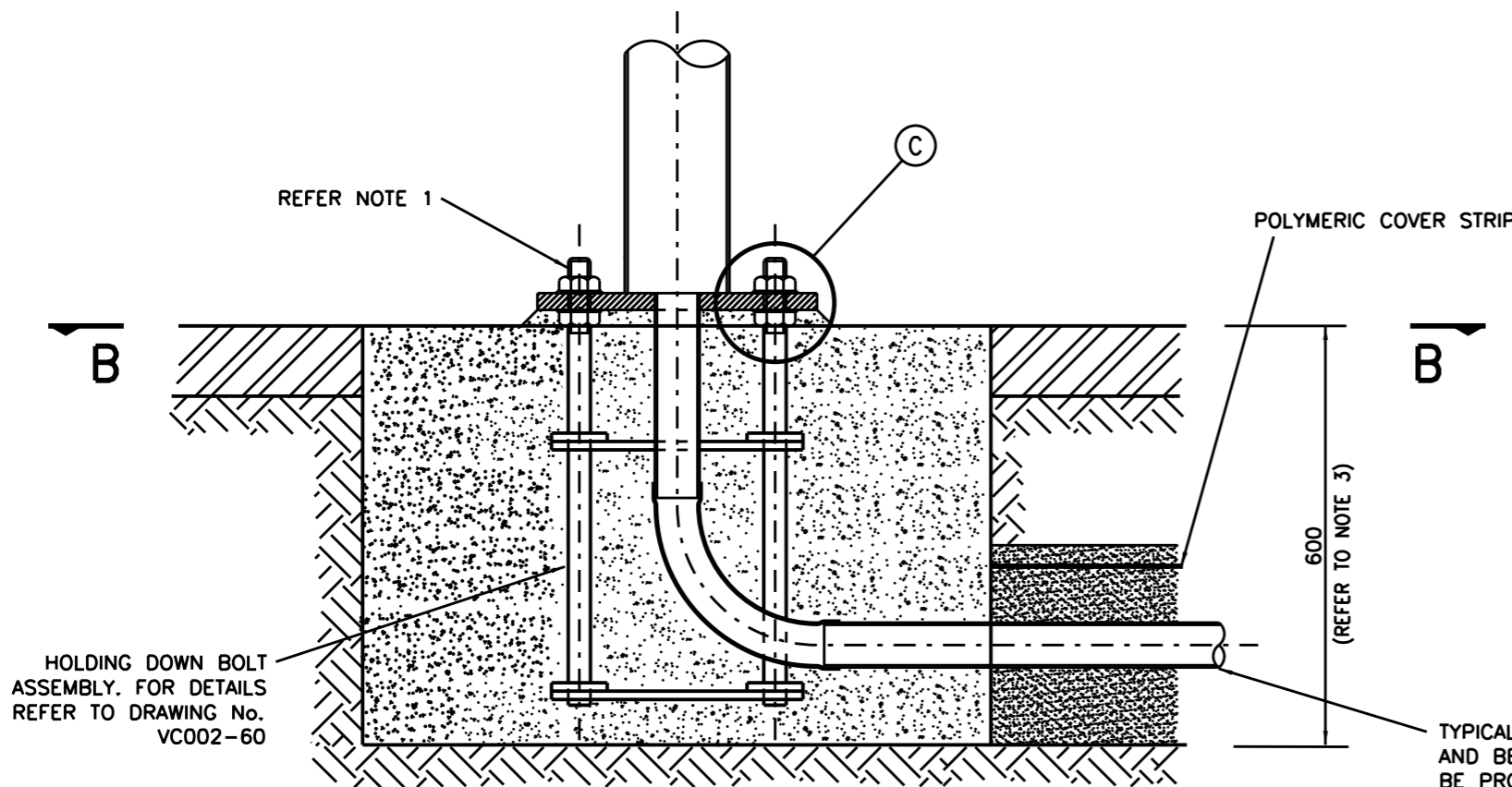
SECTION B-B



DETAIL 'C'

NOTES:

1. A MINIMUM OF 3 THREADS TO PROTRUDE OUT OF NUT, THE EXPOSED THREAD TO BE COVERED WITH PVC TUBE OR TAPE. FINISH POST MOUNTING AREA WITH CONCRETE. ASPHALT
2. SHALL BE USED INSTEAD OF CONCRETE WHEN REQUIRED BY THE MUNICIPAL AUTHORITY.
3. THE TOTAL FOOTING DEPTH OF 600mm MAY NEED TO BE INCREASED FOR POSTS INSTALLED IN UNPAVED AREAS WITH UNSTABLE SOILS.
4. AN ALTERNATIVE FOOTING SIZE OF 600x600mm MAY BE USED AND THE DEPTH INCREASED TO 900mm.
5. THE COMPLETE FOOTING TO BE CAST IN SITU IN ONE SINGLE CONCRETE POURING OPERATION.
6. IN SITUATIONS WHERE THE FOOTING IS IN BACKFILL, eg. THE FINISHED GROUND LEVEL BEING HIGHER THAN THE EXISTING GROUND LEVEL, THE FOOTING SHALL BE BUILT AFTER THE GROUND HAS BEEN BACKFILLED AND COMPACTED TO THE REQUIRED SOIL STRENGTH.
7. A PRE-CAST CONCRETE FOOTING MAY BE USED IN SPECIAL SITUATIONS, SUCH AS IN MEDIANS, ETC. THE CONDITION OF USE OF PRE-CAST FOOTINGS SHALL BE SUBJECT TO THE RMS REPRESENTATIVE'S AGREEMENT TO ENSURE THE PRE-CAST BLOCK IS OF THE CORRECT SIZE AND IS SITTING ON A LEVEL BASE OF SAND WITH A 14:1 MIXTURE OF SAND AND CEMENT, WELL COMPACTED AROUND THE ENTIRE BLOCK. THE PROPOSED USE OF SUCH A PRE-CAST FOOTING SHALL CONSTITUTE A 'HOLD POINT'.



SECTION A-A

LEGEND:

	FOOTPATH		SOIL
	CONCRETE		SAND

A ORIGINAL ISSUE
 B: ISSUE, 2-11-2010 WASHERS WERE LARGE SERIES. AK. B.W.T.
 C ISSUE: 9-07-2013 TYPE 8 POST ADDED. LC.
 D ISSUE 03-06-2015 NOTES 4, 5 AND 6 ADDED. DB IH
 E ISSUE 13-12-2017 NOTE 5 AMENDED. NOTE 7 RE USE OF PRE-CAST FOOTING ADDED. IH BWT

REFERENCE DRAWINGS	
Type 7 Post	VM202-15
Holding Down Bolt	VC002-60
Type 8 Post	VM202-25

ROADS AND MARITIME SERVICES
TRAFFIC SIGNALS

**FOOTING FOR
TYPE 7 & 8 POSTS**

SCALE NTS	
SUPERSEDES:	
DRAWN	F.P. 19/02/09
CHECKED	I.H. 23/02/09
PASSED	B TAYLOR 25-02-09

APPROVED: SUNIL SRIVASTAVA 25-02-09 MANAGER EQUIPMENT & STDS	
ISSUE	<input checked="" type="checkbox"/> A <input type="checkbox"/> B <input type="checkbox"/> C <input type="checkbox"/> D <input type="checkbox"/> E
VC002-59	