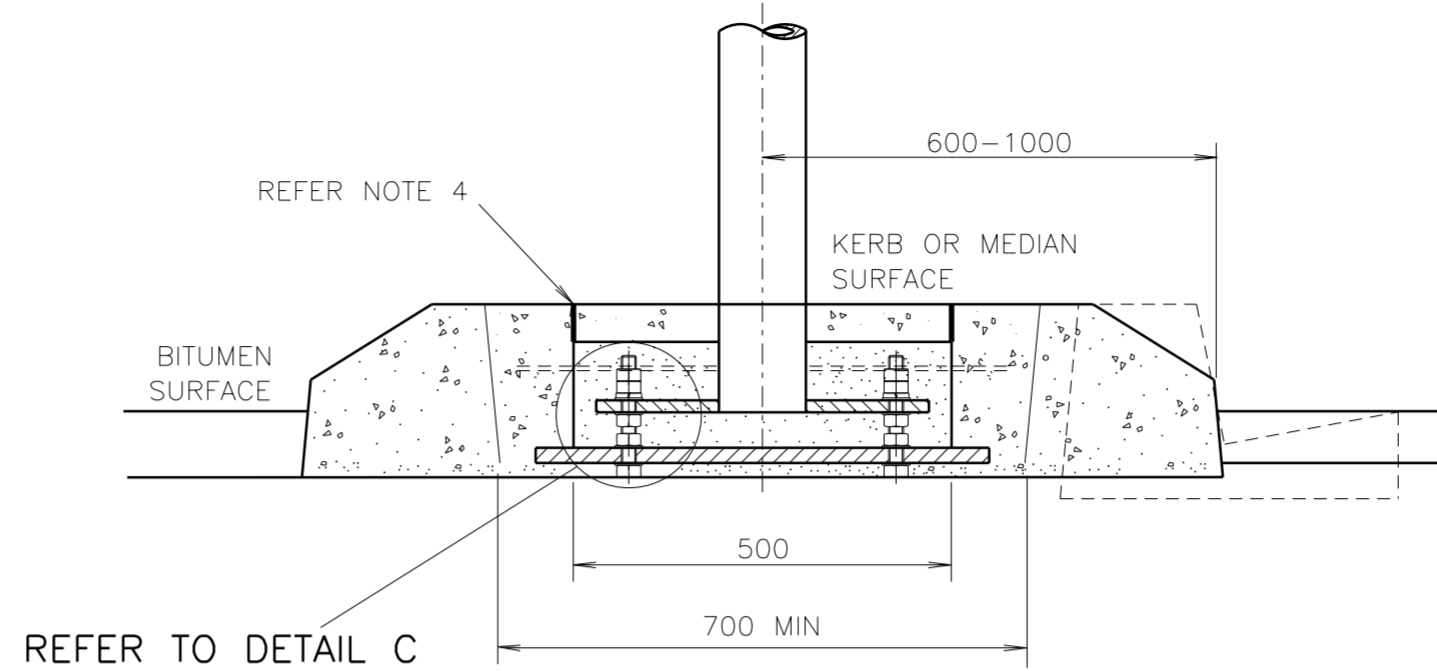


GI PIPES LAID ON ROAD TOP  
IN A DIRECTION TO SUIT  
PROPOSED CABLE RUNS AND PIT

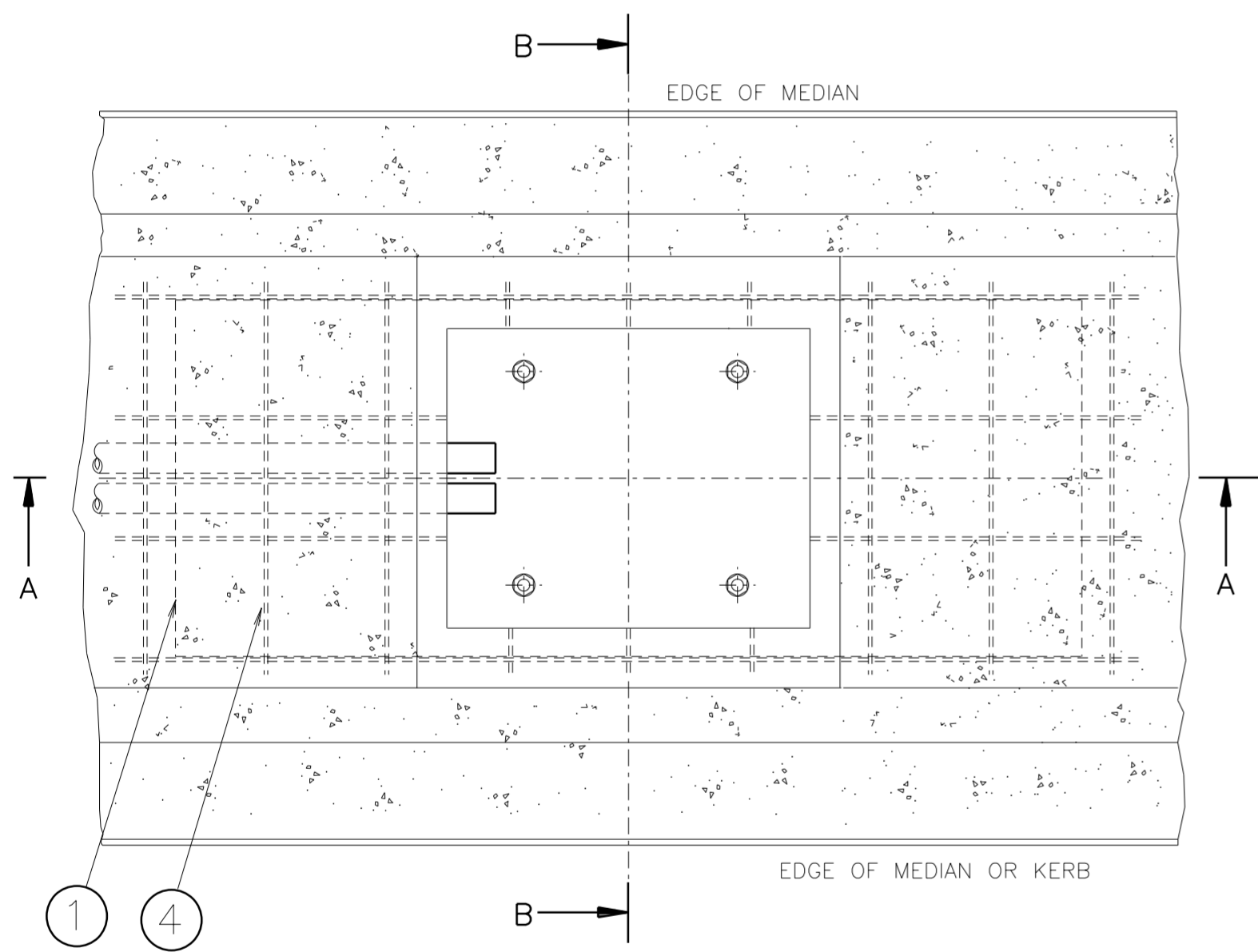
SECTION A-A

BASE PLATE TO BE LAID ON  
THE ROAD SURFACE BENEATH  
MEDIAN ISLAND AND BEDDED  
ON 2:1 CEMENT GROUT



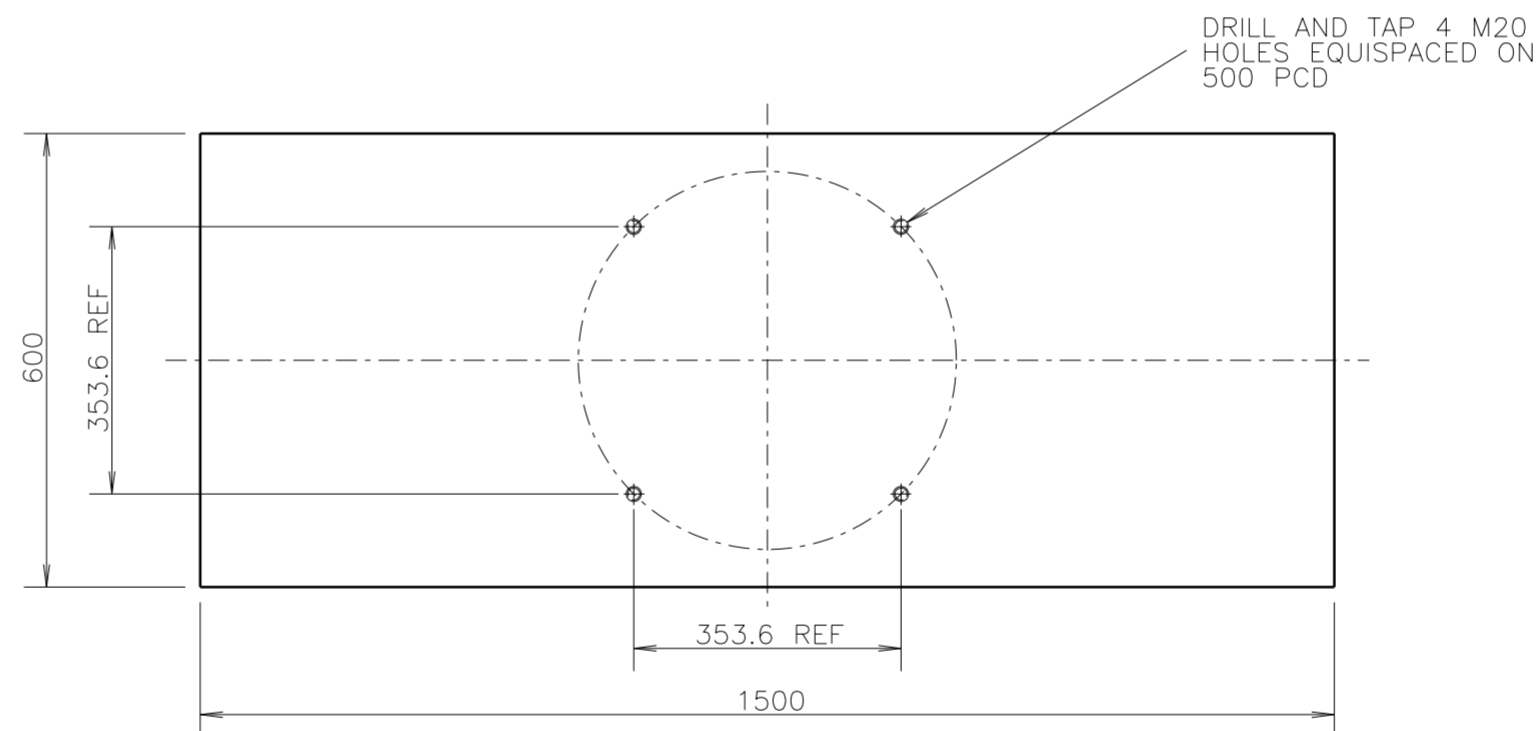
REFER TO DETAIL C

SECTION B-B

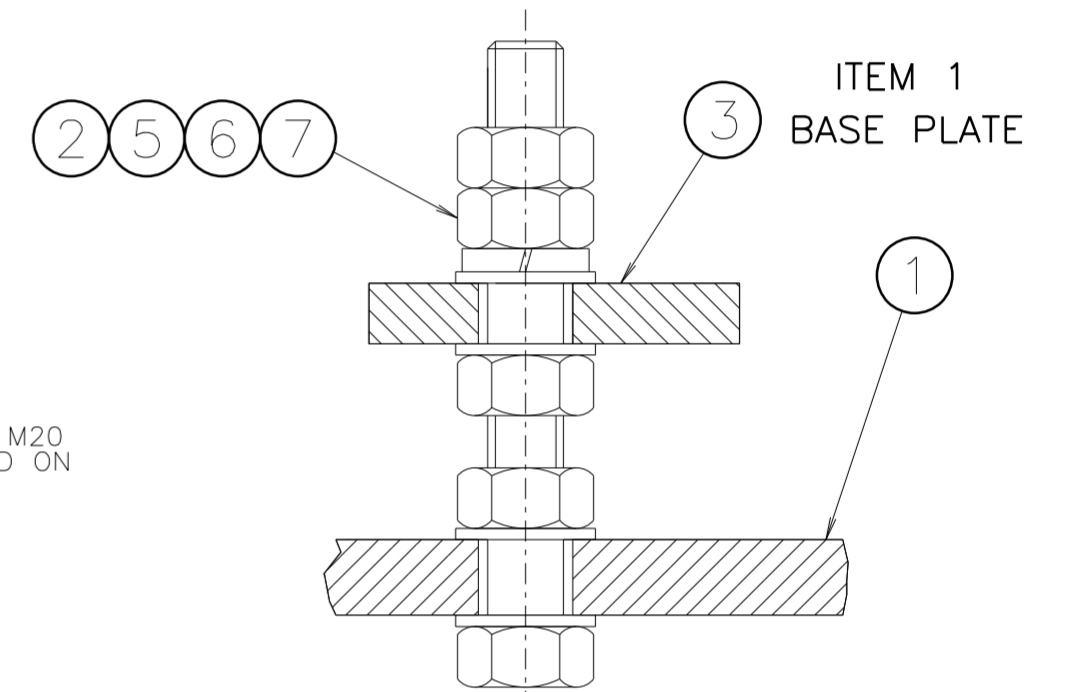


PLAN VIEW

(ITEM 3 AND COVERAGE OMITTED)



ASSEMBLY  
DETAIL C  
1 : 2



NOTES

- GENERAL TOLERANCE  $\pm 2$  AND FOR HOLE AND STUD CENTRES  $\pm 0.5$
- ITEMS 2,5,6 AND 7 TO BE SUPPLIED FULLY ASSEMBLED AS SHOWN IN DETAIL 'C' BY THE MANUFACTURER.
- CENTRE OF MESH (ITEM 4), TO BE CUT OUT 600 LONG x 500 WIDE.
- MASTIC EXPANSION JOINTS TO BE USED BETWEEN ALL CONCRETE SURFACES AND THE TOP OF THE POST.

ITEM	DESCRIPTION	MATERIAL	FINISH	QTY
7	SPRING WASHER M20 TO AS 1968	SPRING STL		4
6	FLAT WASHER M20 TO AS 1237 (LARGE SERIES)	MILD STL	GALV TO AS 1650	16
5	HEXAGON NUT M20 TO AS 1112	MILD STL	GALV TO AS 1214	16
4	REINFORCEMENT MESH TYPE F62, $\phi 6$ 200 x 200 MESH, 700 LONG x 650 WIDE (SEE NOTE 4)			1
3	POST TYPE 2	MILD STL	GALV TO AS 1650	1
2	M20x140 LONG SET SCREWS	MILD STL	GALV TO AS 1214	4
1	BASE PLATE 20 THICK TO AS 3678 (SEE DETAIL)	MILD STL	GALV TO AS 1650	1

DIMENSIONS ARE IN MILLIMETRES

C ISSUE 14-04-98  
JI TC2347 WASHER  
ITEM 7 NOW LARGE  
SERIES. NOTE 5 ADDED.  
RVC BWT

D ISSUE 01-02-2010  
MODIFICATION TO THE  
TYPE 2 POST DELETED.  
ITEM 2 LENGTH WAS  
100 AND THREAD  
LENGTH WAS 80.  
QUANTITY OF ITEM 6  
WAS 8. QUANTITY OF  
ITEM 7 WAS 4.  
ASSEMBLY DETAIL C  
UPDATED TO SUIT. ITEM  
4 DELETED. ITEMS  
RENUMBERED TO SUIT.  
TYPE 2 POST SHOWN  
RAISED ON THE JACK  
NUTS. OPEN AREAS  
AROUND POST BASE  
PLATE. REDUCED TO  
SUIT CABLE ENTRY  
FROM UNDERNEATH.  
AC BWT

E ISSUE: 02-07-2012  
NOTE RE WELD NOT TO  
PROTRUDE DELETED  
FROM DETAIL 'C'.  
LC. BWT.

F ISSUE: 23-11-2016  
ITEM 2 WELDED STUDS  
REPLACED WITH SET  
SCREWS AND TAPPED  
HOLES IN ITEM 1 TO  
SUIT QUANTITY OF ITEMS  
5 AND 6 WAS 12 AND  
8 RESPECTIVELY. NOTE  
2 CHANGED TO SUIT  
ASSEMBLY DETAIL C.  
DB BWT

G ISSUE: 16-06-2017  
IN NOTE 3, ITEM 4 WAS  
SHOWN AS ITEM 5.  
CEMENT GROUT SHOWN  
ON ROAD SURFACE IN  
SECTIONS A-A & B-B.  
ALL I.H. B.T.

REFERENCE DRAWINGS	DRAWN	GC	8-12-86
TYPE 2 POST	VM202-1	CHECKED	RB 8-1-87
		PASSED	
		APPROVED	
		F. HULSCHER	
		DATE	12-01-1987

ROADS AND MARITIME SERVICES  
TRAFFIC SIGNALS

MECHANICAL AND INSTALLATION DETAILS  
OF TYPE 2 POST  
WHERE INSUFFICIENT COVER IS AVAILABLE

SHEET SIZE	FILE NO	SCALE	SHEET NO
A2		1 : 10 OR AS SHOWN	
SUPERSEDES ISSUE D		ISSUE	
REG NO		VC002-45	