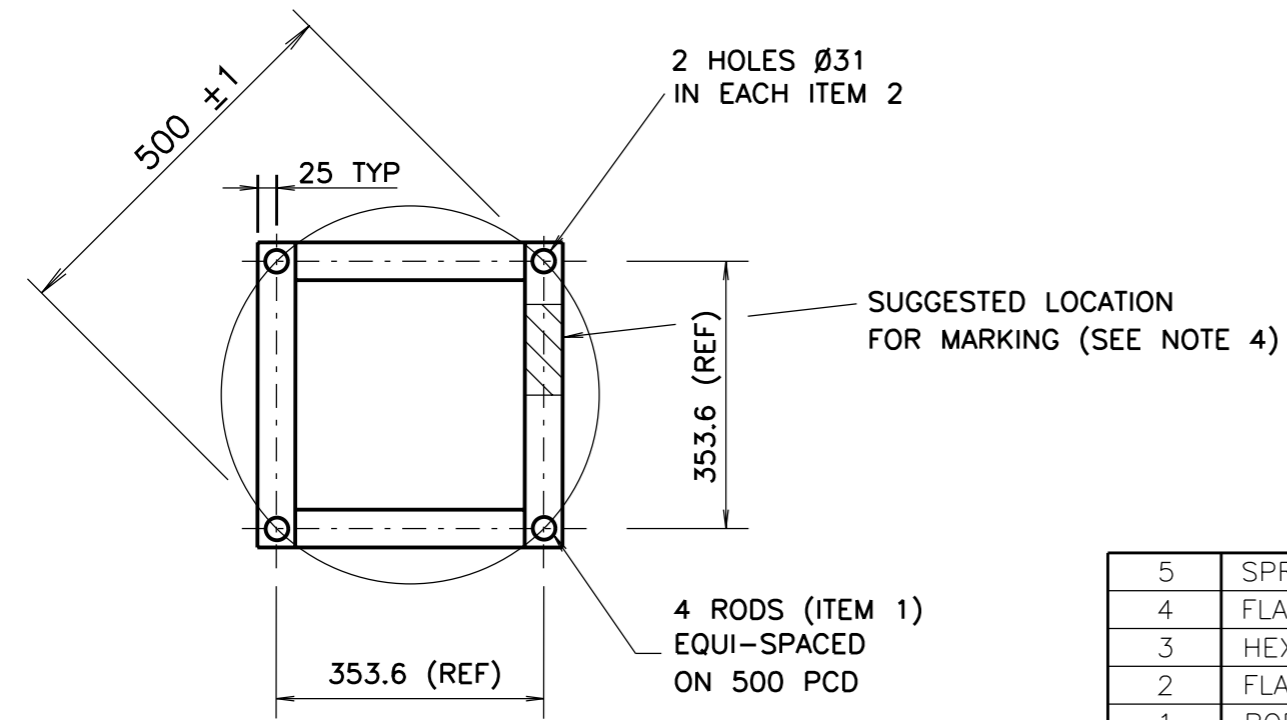


DIMETRIC VIEW



ITEM 1

NOTES

1. ALL WELDING SHALL BE IN ACCORDANCE WITH AS 1554 PART 1.
2. AFTER WELDING, ITEMS 1 & 2 TO BE HOT DIP GALVANISED IN ACCORDANCE WITH AS 1650 AND THREADED ENDS OF ITEM 1 IN ACCORDANCE WITH AS 1214.
3. ITEMS 3, 4 & 5 SHALL BE SUPPLIED & FITTED (AS SHOWN) BY THE MANUFACTURER.
4. MANUFACTURER'S IDENTIFICATION & DATE OF MANUFACTURE TO BE LEGIBLY AND DURABLY MARKED.
5. THE GALVANISING SURFACE SHALL BE FREE FROM SHARP PROJECTIONS, DROSS & DAGS.
6. TOLERANCE ON DIMENSIONS (EXCEPT WHERE OTHERWISE STATED):
 - UP TO AND INCLUDING 50 TO BE ±1
 - OVER 50 & UP TO AND INCLUDING 500 TO BE ±2
 - OVER 500 TO BE ±4

ALL DIMENSIONS IN MILLIMETRES

ITEM	DESCRIPTION	MATERIAL	FINISH	QTY	REMARKS
5	SPRING WASHER Ø30 TO AS 1937	MILD STEEL	GALV TO AS 4680	4	REFER TO NOTE 3
4	FLAT WASHER Ø30 LARGE SERIES TO AS 1237	MILD STEEL	GALV TO AS 4680	8	REFER TO NOTE 3
3	HEX NUT M30 TO AS 1112	MILD STEEL	GALV TO AS 1214	8	REFER TO NOTE 3
2	FLAT BAR 50 x 10 TO AS 3679	MILD STEEL	GALV TO AS 4680	4	REFER NOTES 1 & 2
1	ROD Ø30 TO AS 3679	MILD STEEL	GALV TO AS 4680	4	REFER NOTES 1 & 2

'I' ISSUE 19-04-95 TC2346/TC2699 PLAN REDRAWN. TYP ADDED ON WELDING SYMBOLS AND 8 FILLET WAS SHOWN ON BOTH SIDES. NOTE 6 ADDED. EB RVC BWT	'J' ISSUE 09-11-98 JI TC2716 ITEM 4 NOW LARGE SERIES RVC BWT	K ISSUE 1999-05-13 J/1 TC2972 ITEM 4 QTY WAS 4. ADDED ITEM 5. ADDED TYPE 9 MA TO TITLE. ITEM 1 THREAD WAS 100 LG. IH BWT	L ISSUE: ITEM 2 WAS CROSS BRACED. F.P. 23.02.09 BWT	REFERENCE DRAWINGS FOOTINGS VC002-52	ROADS AND TRAFFIC AUTHORITY OF NSW TRAFFIC SIGNALS HOLDING DOWN BOLT DETAILS FOR TYPE 5 & 9 MAST ARMS AND TYPE 6 POST	SCALE 1 : 10 SUPERSEDES: ISSUE H DRAWN IA CHECKED RB PASSED B TAYLOR 21-11-84	APPROVED: 22-11-1984 F HULSCHER MANAGER EQUIPMENT & STDS ISSUE <input checked="" type="checkbox"/> <input type="checkbox"/> <input type="checkbox"/> <input type="checkbox"/> <input type="checkbox"/> <input type="checkbox"/> <input type="checkbox"/> <input type="checkbox"/> <input type="checkbox"/> <input type="checkbox"/>	
SUPPLY CATALOGUE NO 18234157					VC002-38			