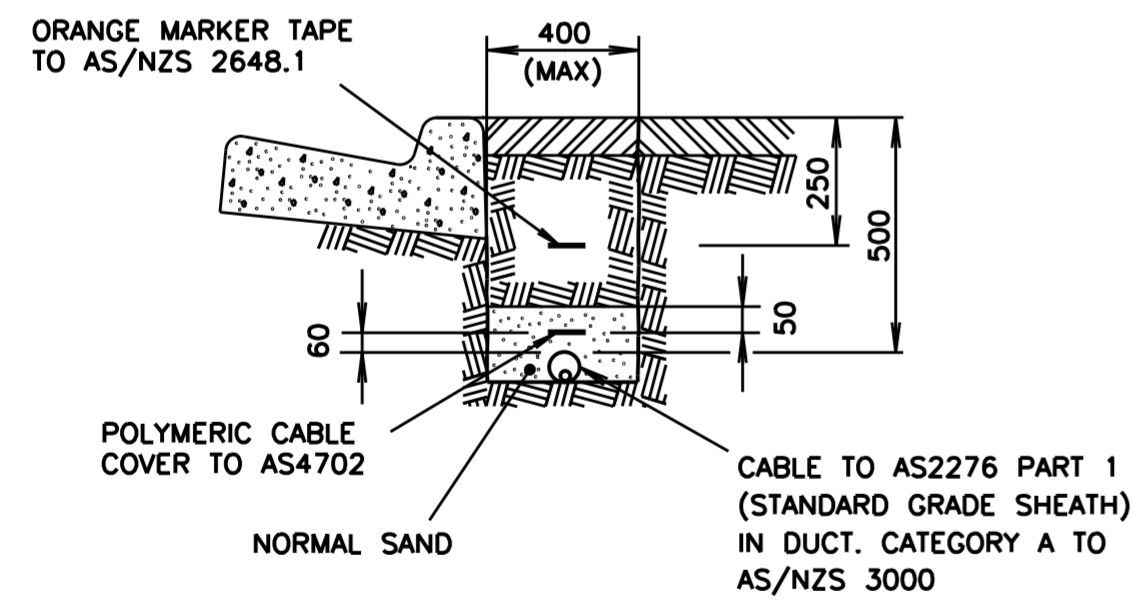
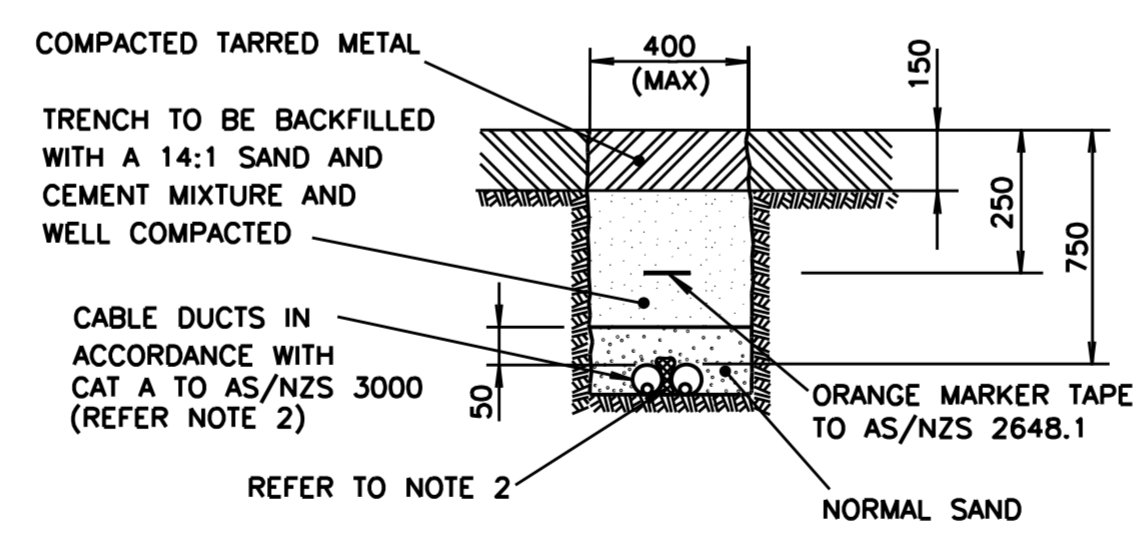


SECTION A-A



SECTION B-B
CABLE IN FOOTPATH
ISLAND OR MEDIAN



SECTION C-C
CABLE IN ROADWAY
INSTALLED BY OPEN TRENCHING

NOTES

1. THIS PLAN INDICATES THE METHOD OF INSTALLING CABLE WHERE IT IS NECESSARY TO EXCAVATE. IN ORDER TO PRESERVE PAVING & TO MINIMISE REINSTATEMENT COSTS, THE HORIZONTAL BORING METHOD SHALL BE USED. OPEN TRENCHING IS ONLY TO BE USED WHERE BORING IS IMPRACTICAL & IT IS SUBJECT TO PRIOR APPROVAL.
2. WHEN DUCTS ARE INSTALLED BY OPEN TRENCHING, ENSURE THAT THEY ARE PLACED AND SECURED CLOSE TOGETHER. A 300mm LENGTH OF 10mm FOAM EXPANSION JOINT SHALL BE INSTALLED BETWEEN CABLE DUCTS AT EACH END IN ROADWAYS.
3. PJ BOXES ARE TO BE INSTALLED IN THE FOOTPATH AND MEDIAN FOR ALL ROAD CROSSING PIPES.

'D' ISSUE 04-08-99
JI TC2456 PLAN
REDRAWN. IN NOTE 1
'SUPERINTENDENTS REP'
REF REMOVED.
RVC BWT
E: ISSUE: 2-11-2010
POST MTD. CONTROLLER
DETAILS REPLACED WITH
GROUND MTD. CONTROLLER.
SHORT PB POST WAS TYPE 2.
AK.
F: ISSUE: 11-03-11
MARKER TAPE ADDED TO CROSS
SECTION B-B & C-C.
LC.
G: ISSUE: 09-05-2016
SECTION C-C REVISED. NORMAL
SAND SHOWN IN BOTTOM OF
TRENCH. ADDED FOAM EXPANSION
USED TO SEPARATE DUCTS AT
EACH END. REVISED NOTE 2.
DB BWT

REFERENCE DRAWINGS			
		O/H SUPPLY	VE500-1
FOOTING POST MTD	VC002-43	UNDERGRND SUPPLY	VE500-11
TYP 2 POST FOOTING	VC002-51	PJ BOX	VM016-10
STANDARD POSITIONS	VD001-6	TYPE 2 POST	VM202-1
TYPICAL DESIGN	VD002-20	TYPE 13 PB POST	VM202-20
STD CABLE LAYOUT	VD002-21	TYP 2 POST ASSBLY	VM202-8
SYMBOL & ABBREV	VD003-6		

DRAWN GO 12-12-84
CHECKED RB 23-04-86
PASSED BWT 21-11-89
APPROVED
D. VIEYRA
DATE 21-11-89

ROADS AND MARITIME SERVICES
TRAFFIC SIGNALS
TYPICAL EXCAVATIONS & INSTALLATION
OF COMPONENTS
FOR MID-BLOCK LOCATIONS

SHEET SIZE A2	FILE NO	SCALE	SHEET NO
SUPERSEDES ISSUE C		ISSUE <input checked="" type="checkbox"/> A <input type="checkbox"/> B <input type="checkbox"/> C <input type="checkbox"/> D <input type="checkbox"/> E <input type="checkbox"/> F <input type="checkbox"/> G	
REG NO		VC001-8	