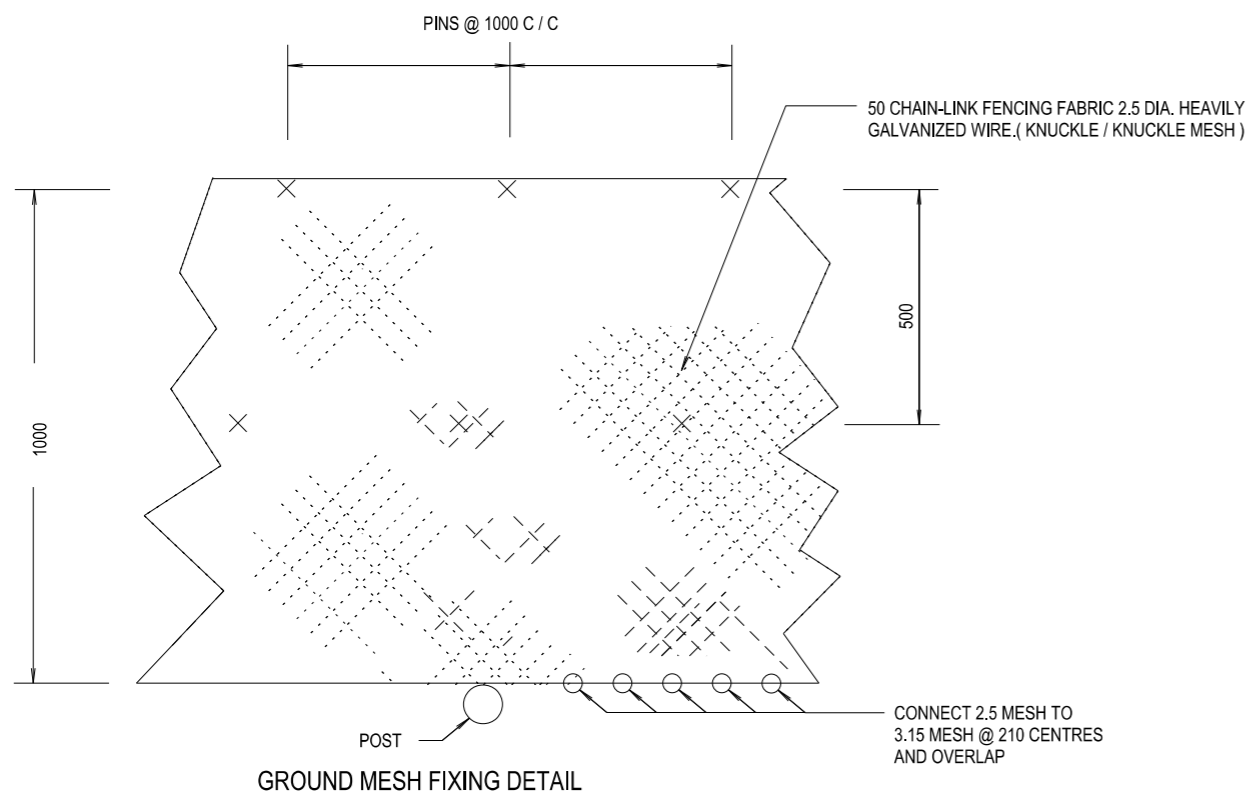
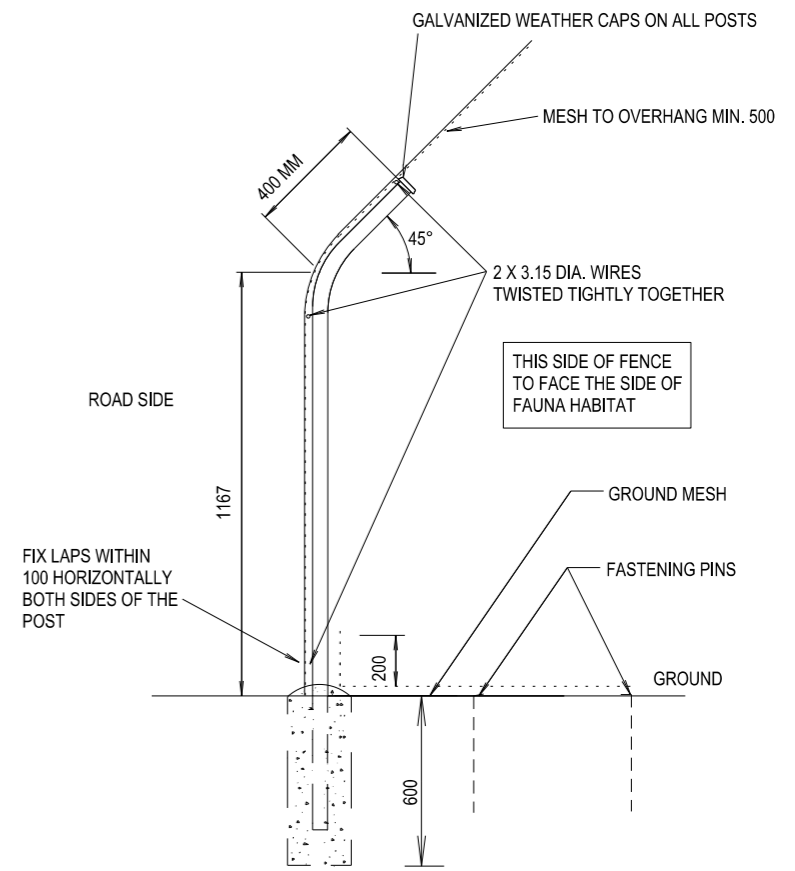
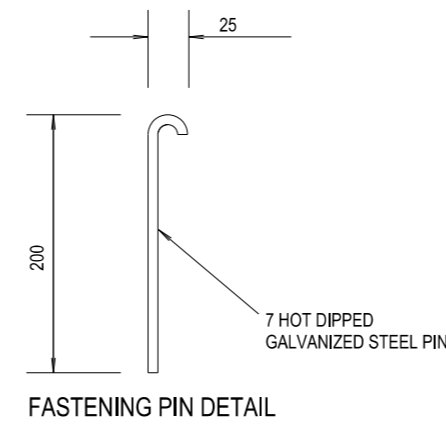


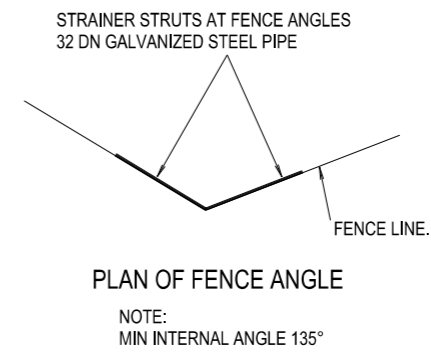
ELEVATION



GROUND MESH FIXING DETAIL



NOTE:
FOR LOOSE OR SANDY SOILS 350 (MIN.)
GALVANISED FASTENING PINS MUST BE USED.



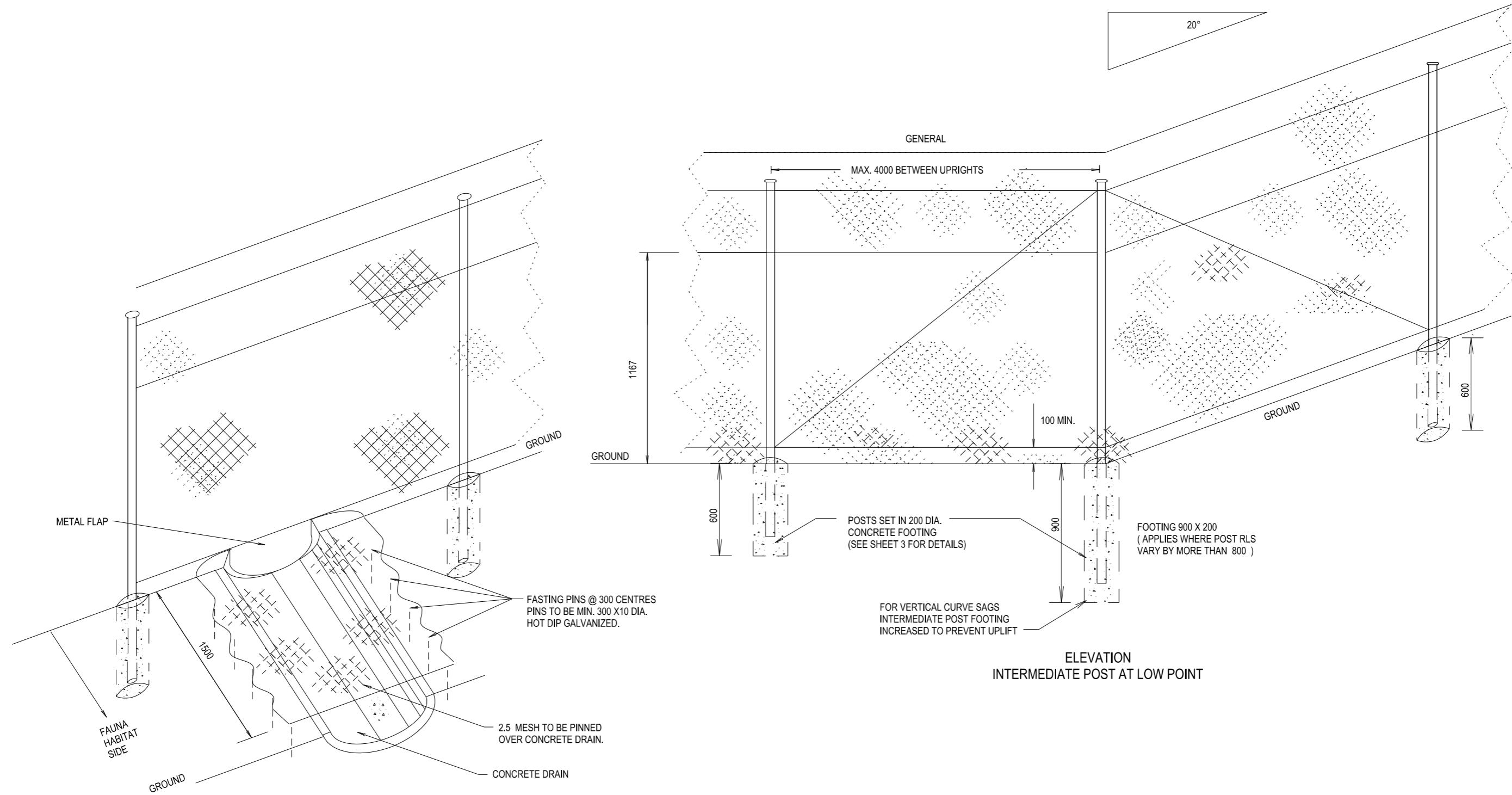
NOTES
SPECIAL REQUIREMENTS MAY APPLY TO THE ERECTION PROCEDURES FOR FENCES INSTALLED NEAR HIGH VOLTAGE TRANSMISSION LINES. THE RELEVANT ELECTRICITY AUTHORITY SHOULD BE CONTACTED PRIOR TO THE INSTALLATION OF THE FENCE.

THIS DRAWING MAY BE PREPARED IN COLOUR AND MAY BE INCOMPLETE IF COPIED

50mm ON A3 SIZE ORIGINAL

QR CODE		SCAN TO CHECK DOCUMENT VER.		REV	DATE	AMENDMENT / REVISION DESCRIPTION	WVR No.	APPROVAL	ALL DIMENSIONS ARE IN MILLIMETRES UNLESS OTHERWISE SHOWN		ISSUED	Transport Roads & Maritime Services	STANDARD DRAWING ROAD DESIGN ENGINEERING R0800 FENCING SERIES FAUNA EXCLUSION FENCE	SHEET 1 OF 3
									CONTACT DETAILS	MANAGER ROAD POLICY, SPECIFICATIONS & TECHNOLOGY	DATE 20.01.17			
									SCALES ON A3 SIZE DRAWING	SEND FEEDBACK ON THIS STANDARD DRAWING TO : technologystandards@rms.nsw.gov.au		EDMS No. DS2014/006018	ORIGINAL ISSUE DATE JANUARY 2017	

THIS DRAWING MAY BE PREPARED IN COLOUR AND MAY BE INCOMPLETE IF COPIED
50mm ON A3 SIZE ORIGINAL



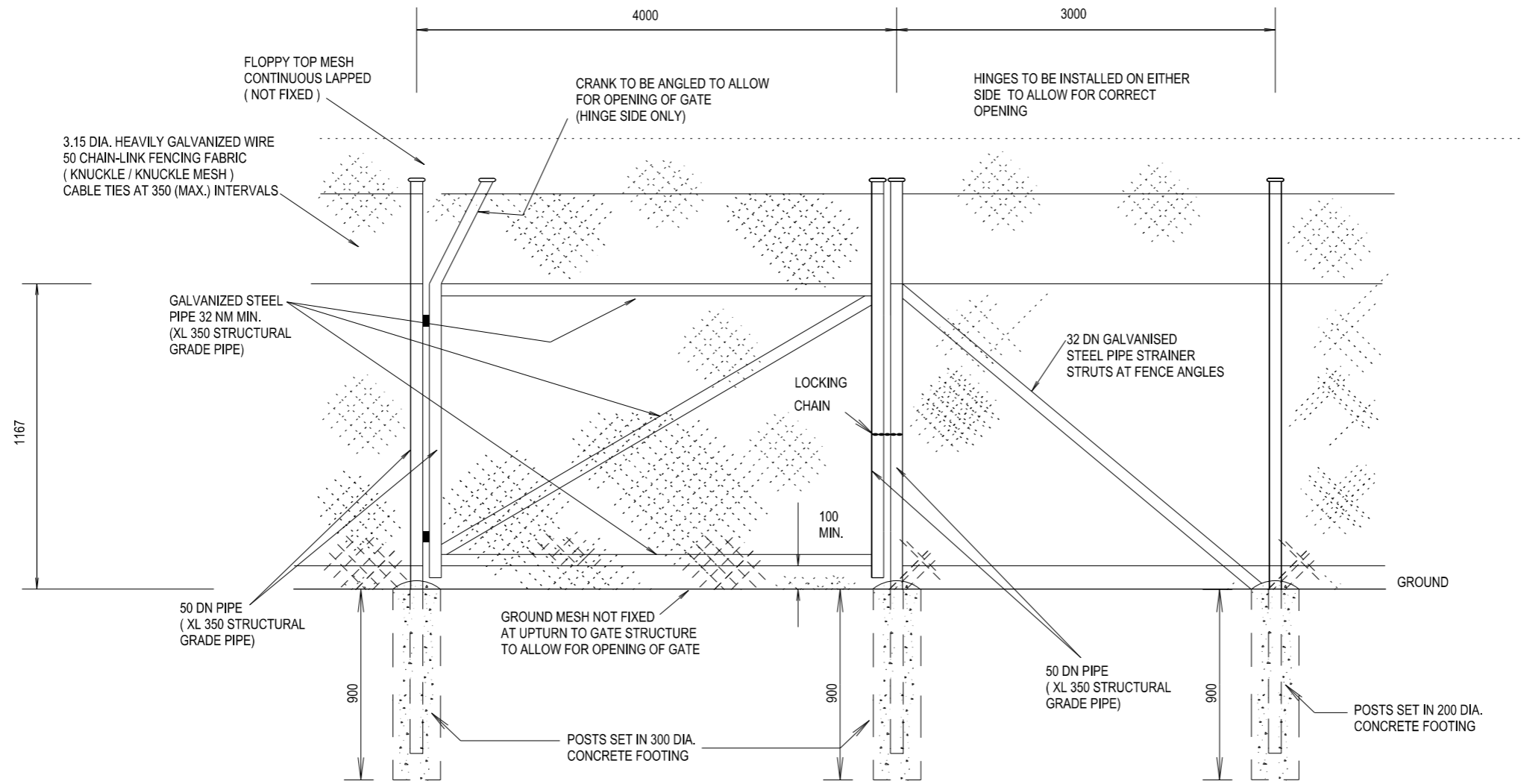
FAUNA PROTECTION DRAINAGE DETAILS

ELEVATION
INTERMEDIATE POST AT LOW POINT

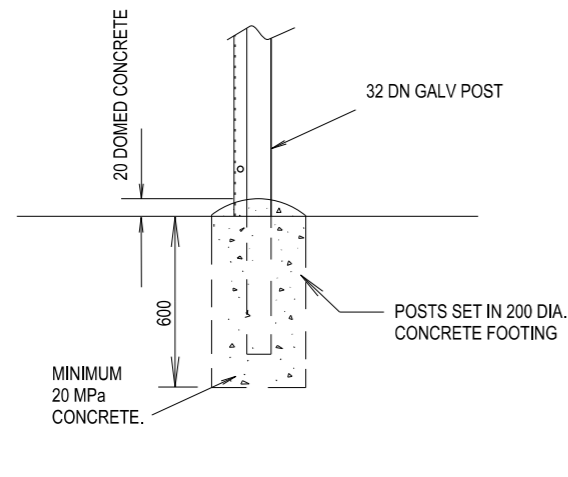
NOTES

1. AT DRAINAGE LINES AND GATES LIGHT CORROSION - RESISTANT METAL FLAP TO BE INSTALLED WITH LESS THAN 50 GAP. FLAP TO BE DESIGNED TO SUIT HYDRAULIC FLOWS AND DRAIN SHAPE IN STORMWATER FLOW PATHS. METAL FLAP TO BE CONNECTED TO FENCE ON DOWNSTREAM SIDE OF FENCE.
2. SPECIAL REQUIREMENTS MAY APPLY TO THE ERECTION PROCEDURES FOR FENCES INSTALLED NEAR HIGH VOLTAGE TRANSMISSION LINES. THE RELEVANT ELECTRICITY AUTHORITY SHOULD BE CONTACTED PRIOR TO THE INSTALLATION OF THE FENCE.

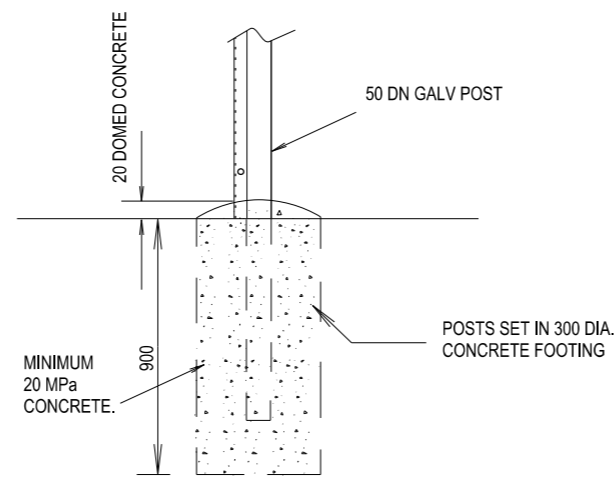
ALL DIMENSIONS ARE IN MILLIMETRES UNLESS OTHERWISE SHOWN										Transport Roads & Maritime Services		STANDARD DRAWING ROAD DESIGN ENGINEERING R0800 FENCING SERIES FAUNA EXCLUSION FENCE		A3						
QR CODE	SCAN TO CHECK DOCUMENT VER.	REV	DATE	AMENDMENT / REVISION DESCRIPTION	WVR No.	APPROVAL	SCALES ON A3 SIZE DRAWING	CONTACT DETAILS	ISSUED	MANAGER ROAD POLICY, SPECIFICATIONS & TECHNOLOGY	DATE	20.01.17	PREPARED BY	ENGINEERING SERVICES ROAD POLICY, SPECIFICATIONS AND AND TECHNOLOGY	STANDARD DRAWING No.	R0800-31	REV.	-		
								SEND FEEDBACK ON THIS STANDARD DRAWING TO : technologystandards@rms.nsw.gov.au							STATUS	ISSUED	EDMS No.	DS2014/006018	ORIGINAL ISSUE DATE	JANUARY 2017
																SHEET 2 OF 3				
																© Roads and Maritime Services				



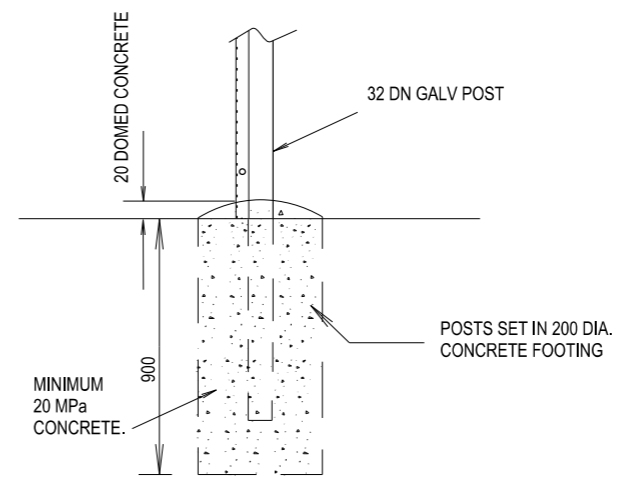
MAINTENANCE GATE DETAILS



INTERMEDIATE POSTS FOOTING DETAILS



STRAINER & CORNER POSTS FOOTING DETAILS



INTERMEDIATE POSTS FOOTING DETAILS AT LOW POINT

NOTES

- SPECIAL REQUIREMENTS MAY APPLY TO THE ERECTION PROCEDURES FOR FENCES INSTALLED NEAR HIGH VOLTAGE TRANSMISSION LINES. THE RELEVANT ELECTRICITY AUTHORITY SHOULD BE CONTACTED PRIOR TO THE INSTALLATION OF THE FENCE.

THIS DRAWING MAY BE PREPARED IN COLOUR AND MAY BE INCOMPLETE IF COPIED

50mm ON A3 SIZE ORIGINAL

ALL DIMENSIONS ARE IN MILLIMETRES UNLESS OTHERWISE SHOWN										Transport Roads & Maritime Services		STANDARD DRAWING ROAD DESIGN ENGINEERING R0800 FENCING SERIES FAUNA EXCLUSION FENCE WITH GATE SHEET 3 OF 3							
QR CODE	SCAN TO CHECK DOCUMENT VER.	REV	DATE	AMENDMENT / REVISION DESCRIPTION	WVR No.	APPROVAL	SCALES ON A3 SIZE DRAWING	CONTACT DETAILS	ISSUED	MANAGER ROAD POLICY, SPECIFICATIONS & TECHNOLOGY	DATE	20.01.17	PREPARED BY	ENGINEERING SERVICES ROAD POLICY, SPECIFICATIONS AND TECHNOLOGY	STANDARD DRAWING No.	R0800-31	REV.	-	
								SEND FEEDBACK ON THIS STANDARD DRAWING TO : technologystandards@rms.nsw.gov.au	SFR					STATUS	ISSUED	EDMS No.	DS2014/006018	ORIGINAL ISSUE DATE	JANUARY 2017