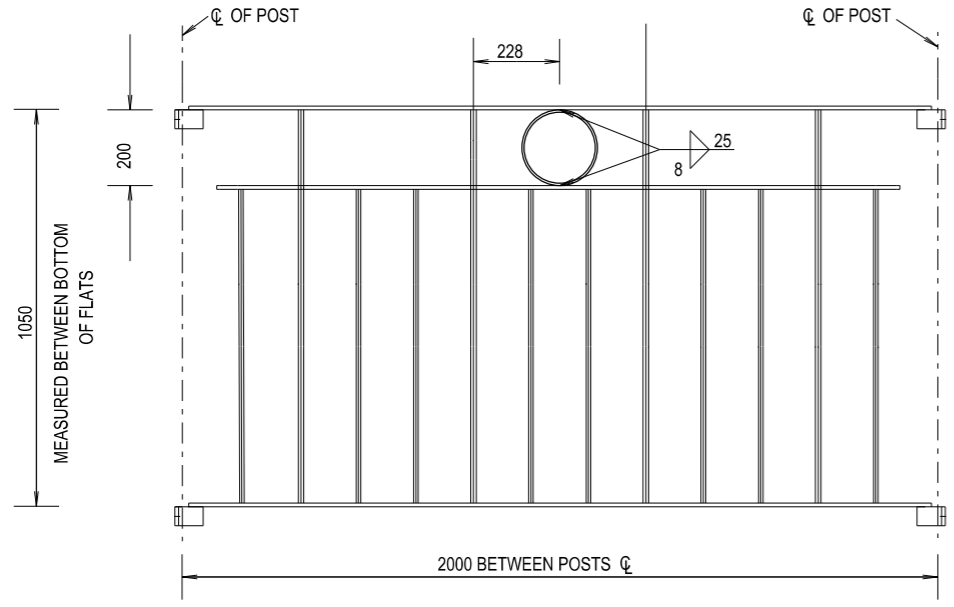
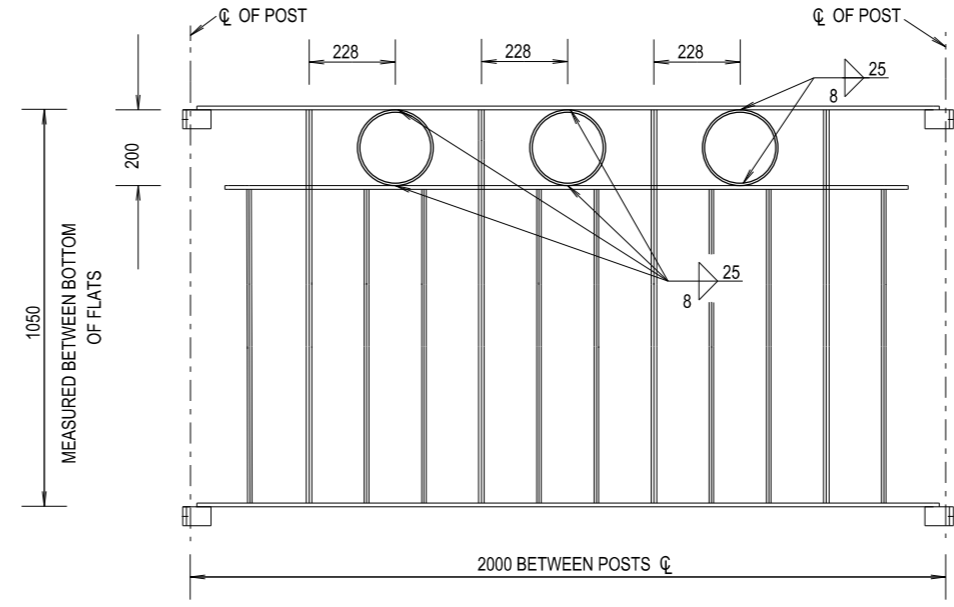


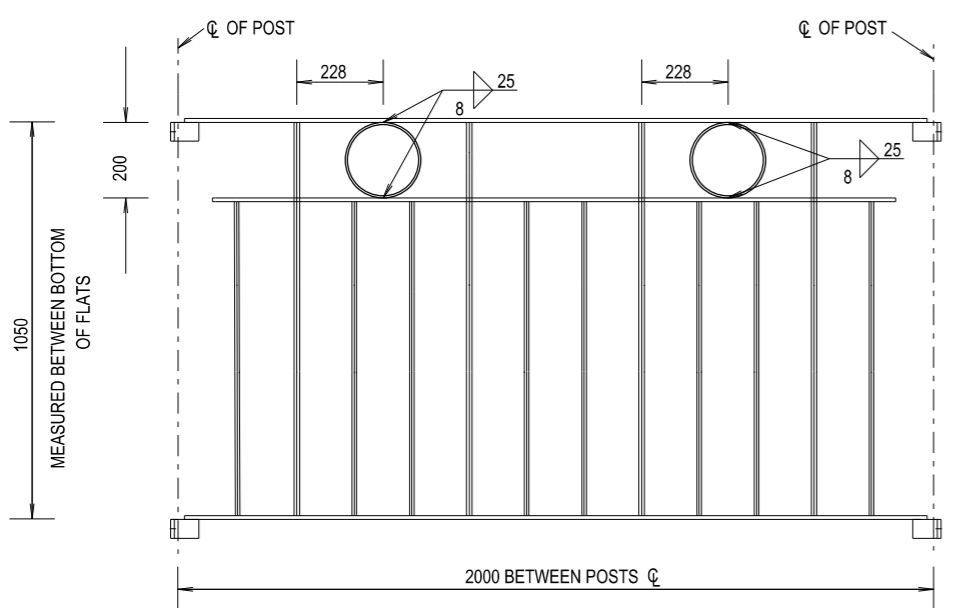
THIS DRAWING MAY BE PREPARED IN COLOUR AND MAY BE INCOMPLETE IF COPIED



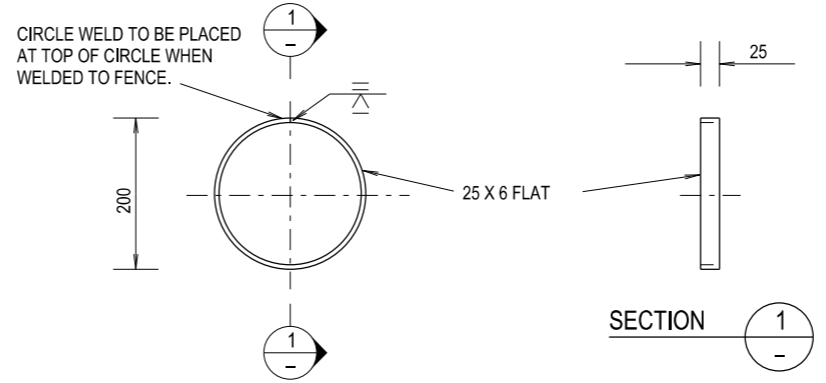
ELEVATION
1 CIRCLE



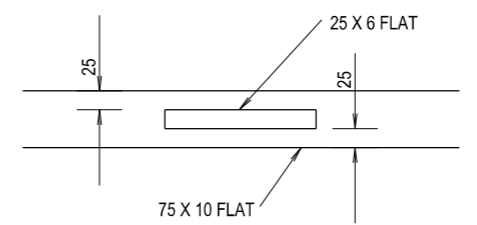
ELEVATION
3 CIRCLES



ELEVATION
2 CIRCLES



SECTION 1



PLAN

CIRCLE WELD TO BE PLACED AT TOP OF CIRCLE WHEN WELDED TO FENCE.

NOTES
THIS DRAWING SHOWS THE TYPICAL CIRCLE EMBELLISHMENTS FOR FENCE TYPES 3, 4, 5 AND 6.

QR CODE SCAN TO CHECK DOCUMENT VER.		REV	DATE	AMENDMENT / REVISION DESCRIPTION	WVR No.	APPROVAL	ALL DIMENSIONS ARE IN MILLIMETRES UNLESS OTHERWISE SHOWN	CONTACT DETAILS SEND FEEDBACK ON THIS STANDARD DRAWING TO : technologystandards@rms.nsw.gov.au	ISSUED SFR MANAGER ROAD POLICY, SPECIFICATIONS & TECHNOLOGY 2016-11-29 DATE 20.01.17	NSW GOVERNMENT Transport Roads & Maritime Services	STANDARD DRAWING ROAD DESIGN ENGINEERING R0800 FENCING SERIES PEDESTRIAN FENCE EMBELLISHMENTS SHEET 1 OF 1	A3
0 15 10 5 0										PREPARED BY ENGINEERING SERVICES ROAD POLICY, SPECIFICATIONS AND AND TECHNOLOGY	STANDARD DRAWING No. R0800-28	REV. -
										EDMS No. DS2014/006015	ORIGINAL ISSUE DATE JANUARY 2017	© Roads and Maritime Services