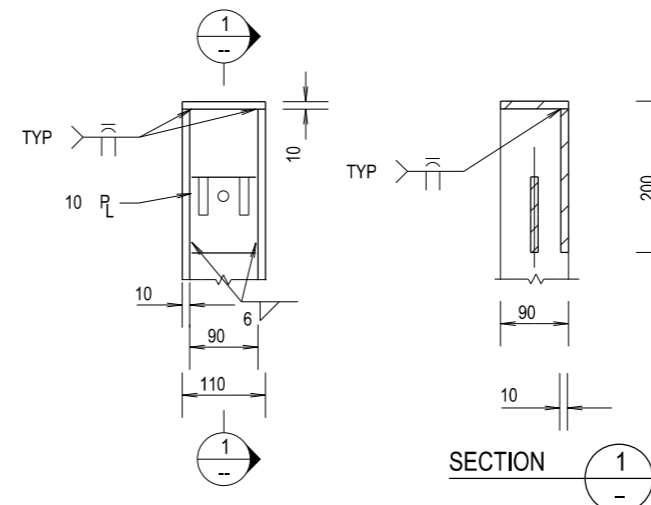


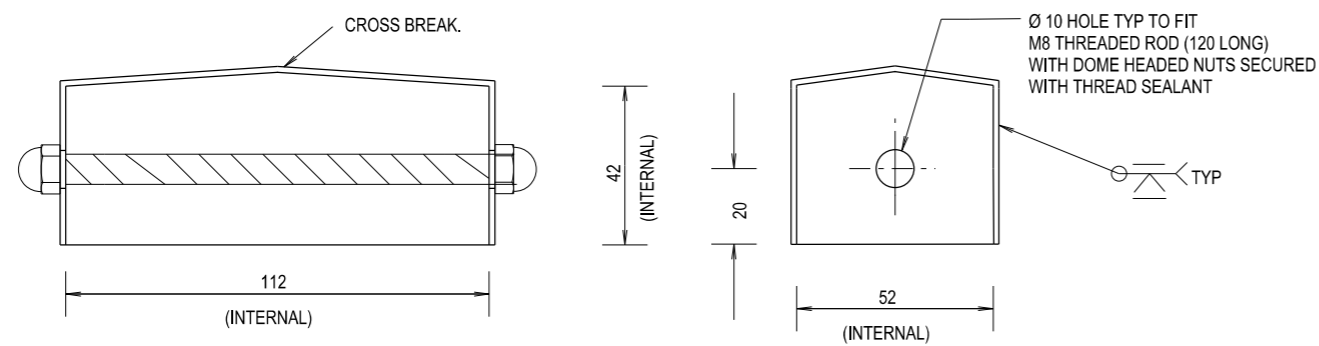
DETAIL OF INTERMEDIATE GABLE POST CAP

NOTE: FABRICATED FROM NOM. 1.6 SHEET.



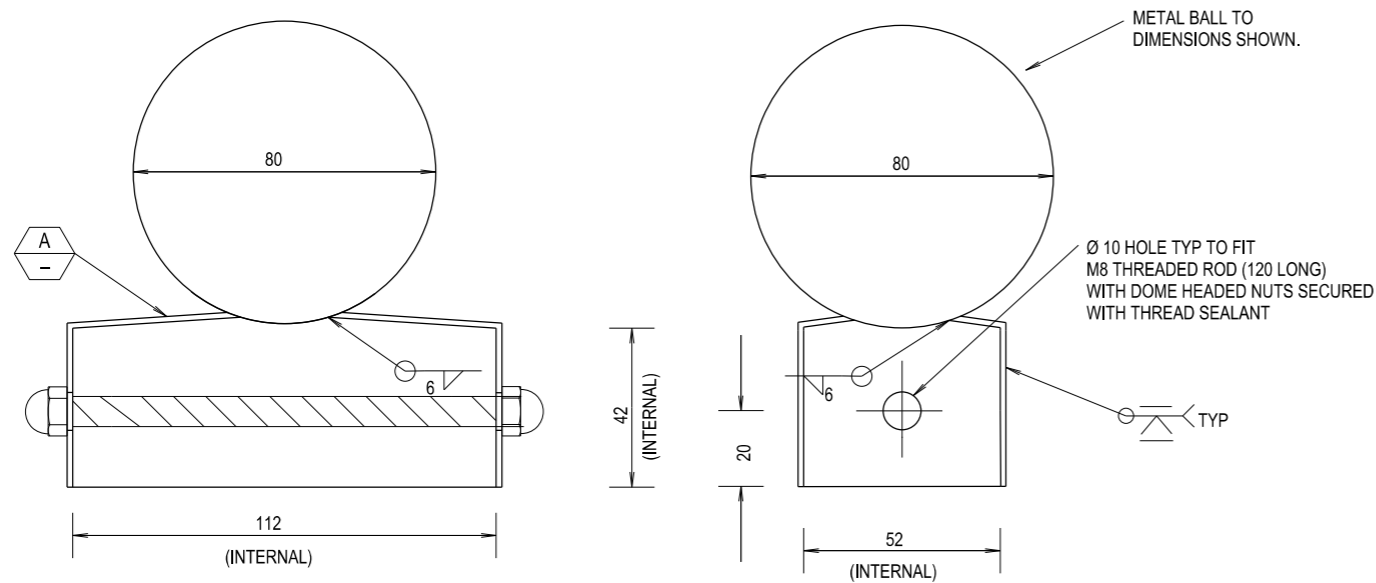
ELEVATION

TOP COVER PLATE



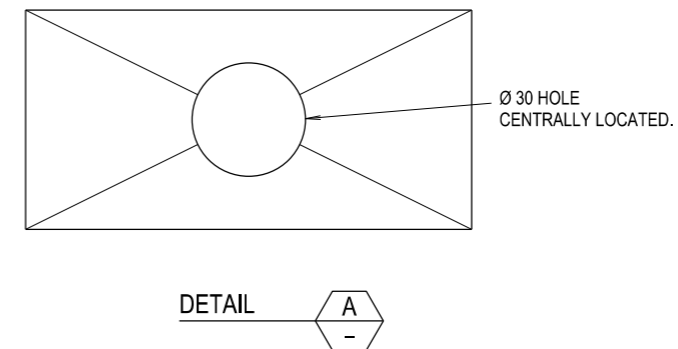
DETAIL OF INTERMEDIATE CROSS BREAK POST CAP

NOTE: FABRICATED FROM NOM. 1.6 SHEET.



DETAIL OF INTERMEDIATE SPHERICAL POST CAP

NOTE: FABRICATED FROM NOM. 1.6 SHEET.



DETAIL

THIS DRAWING MAY BE PREPARED IN COLOUR AND MAY BE INCOMPLETE IF COPIED



QR CODE	SCAN TO CHECK DOCUMENT VER.	REV	DATE	AMENDMENT / REVISION DESCRIPTION	WVR No.	APPROVAL

ALL DIMENSIONS ARE IN MILLIMETRES UNLESS OTHERWISE SHOWN	
SCALES ON A3 SIZE DRAWING	CONTACT DETAILS
	SEND FEEDBACK ON THIS STANDARD DRAWING TO : technologystandards@rms.nsw.gov.au

ISSUED
SFR
MANAGER ROAD POLICY, SPECIFICATIONS & TECHNOLOGY
DATE 20.01.17


Transport Roads & Maritime Services
 PREPARED BY
 ENGINEERING SERVICES
 ROAD POLICY, SPECIFICATIONS AND
 AND TECHNOLOGY

STANDARD DRAWING		A3
ROAD DESIGN ENGINEERING		
R0800 FENCING SERIES		
PEDESTRIAN FENCE		
INTERMEDIATE POST CAP		
STANDARD DRAWING No. R0800-27		SHEET 1 OF 1
STATUS ISSUED	EDMS No. DS2014/006014	ORIGINAL ISSUE DATE JANUARY 2017