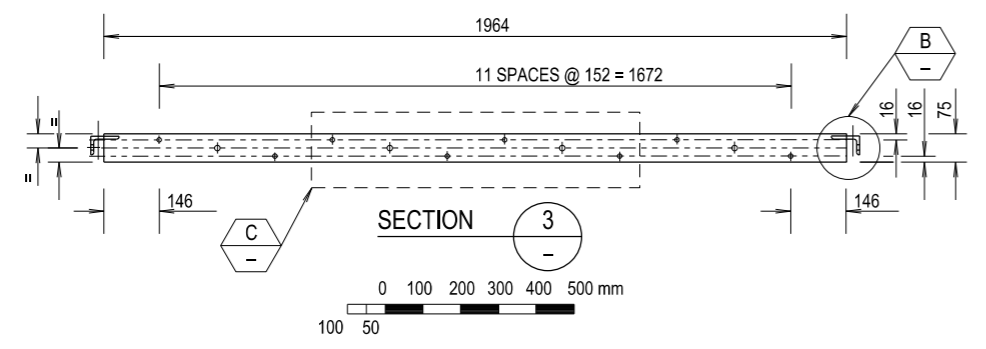
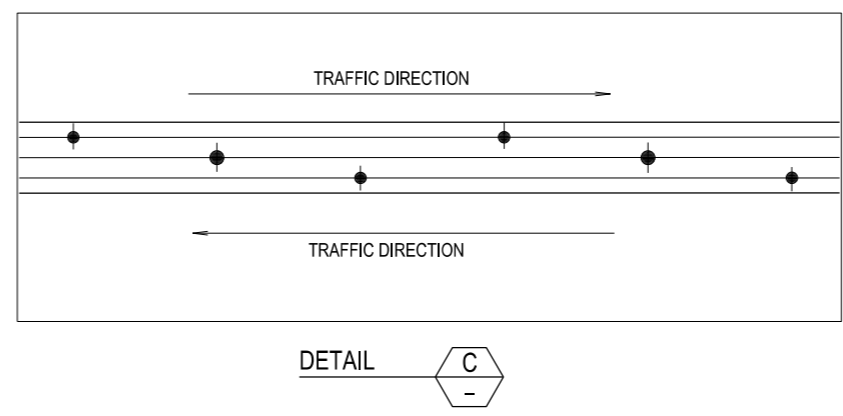
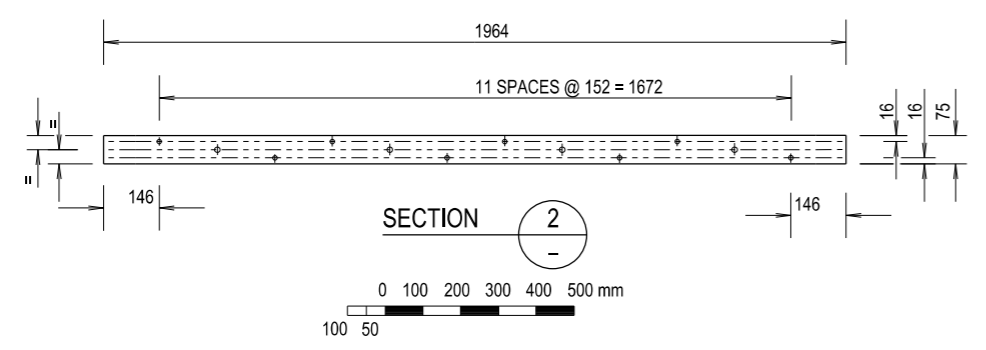
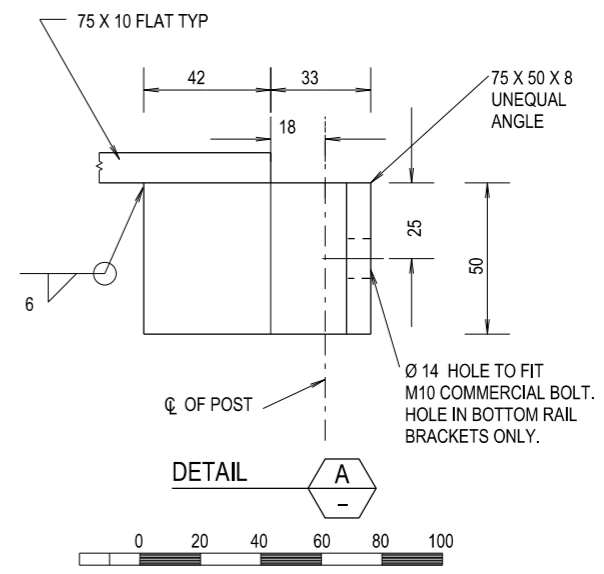
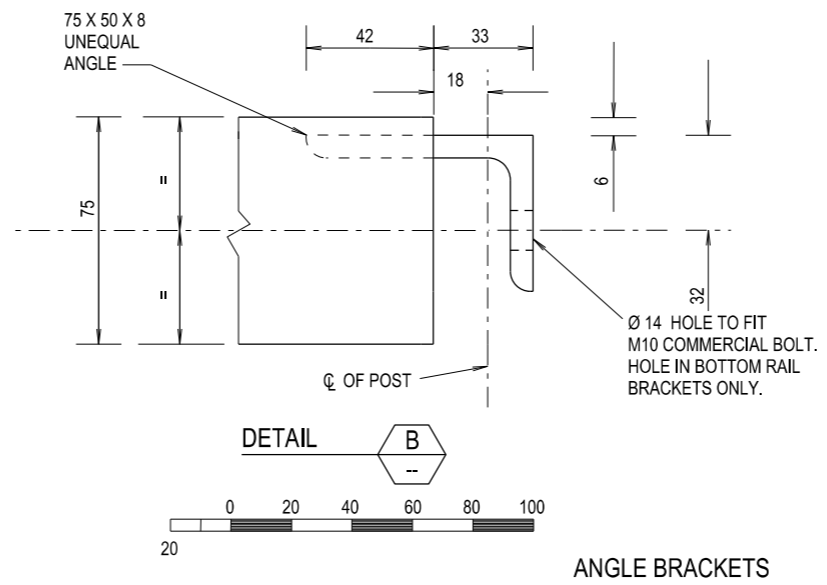
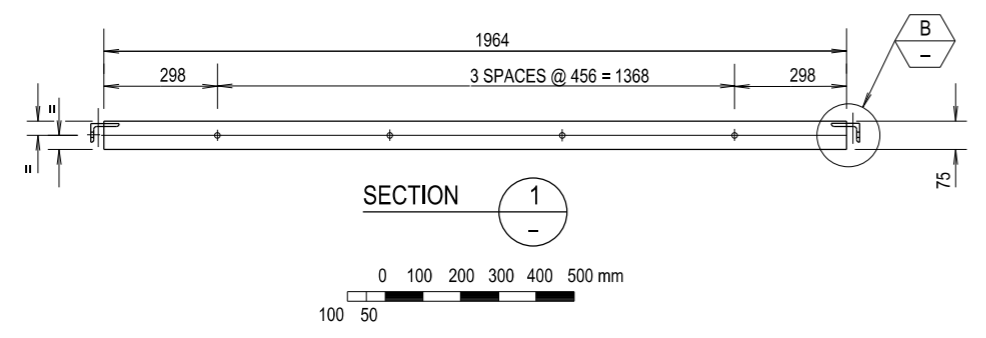
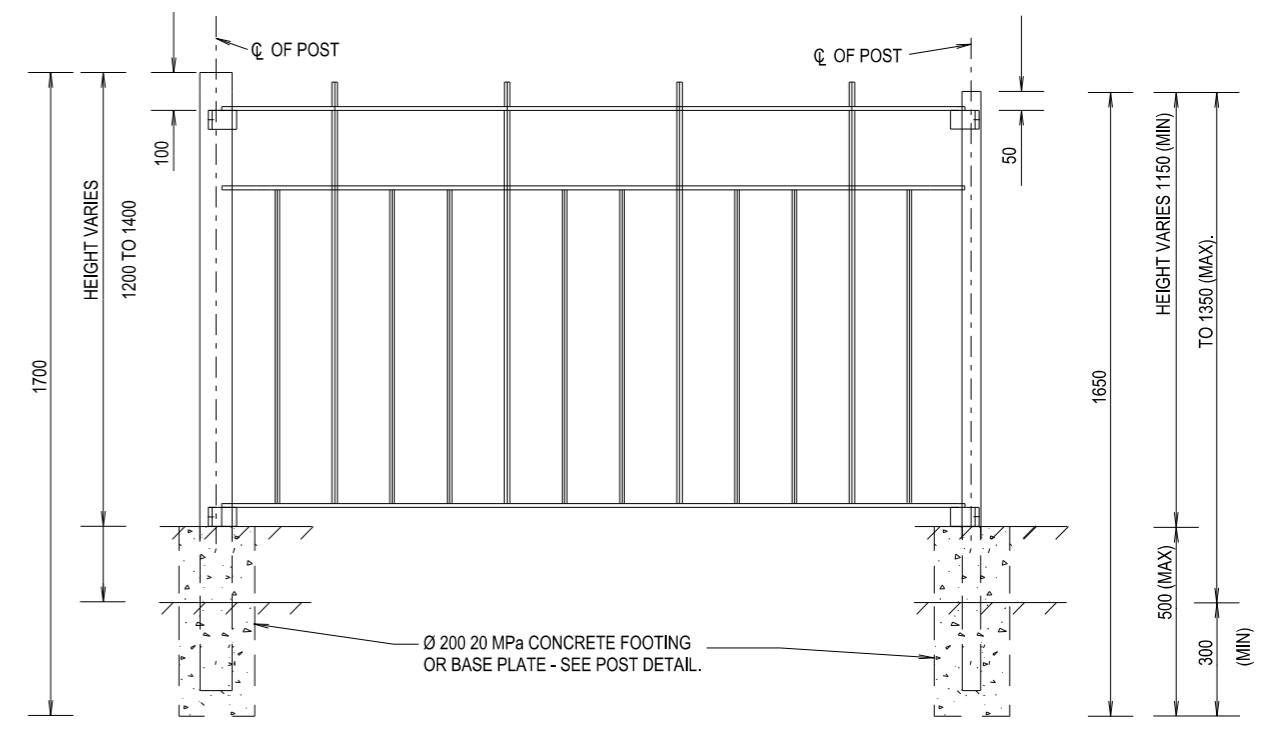
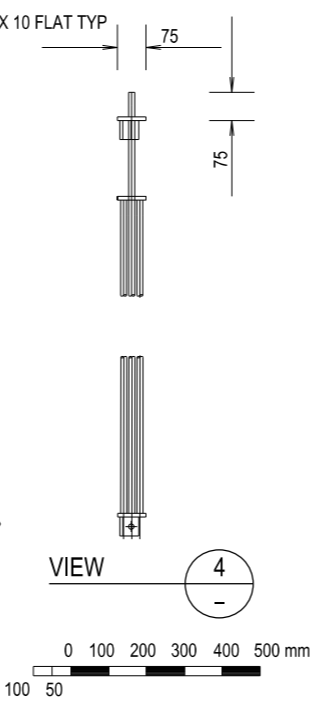
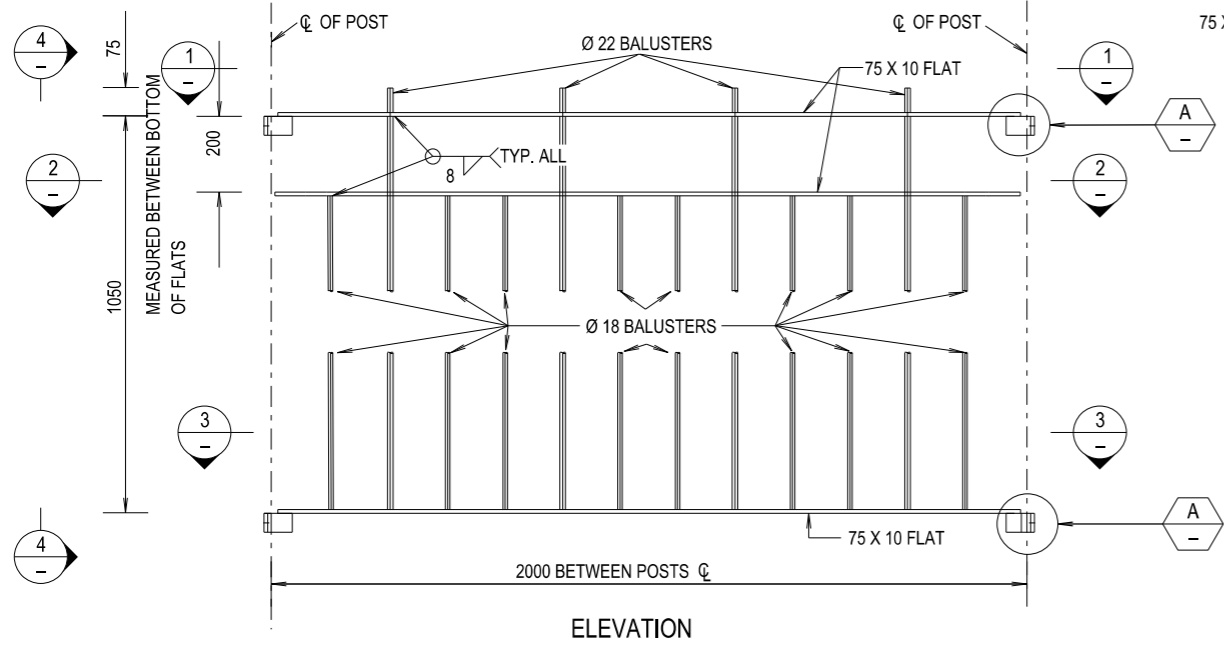


THIS DRAWING MAY BE PREPARED IN COLOUR AND MAY BE INCOMPLETE IF COPIED



QR CODE	SCAN TO CHECK DOCUMENT VER.	REV	DATE	AMENDMENT / REVISION DESCRIPTION	WVR No.	APPROVAL	SCALES ON A3 SIZE DRAWING	CONTACT DETAILS	ISSUED	STANDARD DRAWING No.	REV.
								SEND FEEDBACK ON THIS STANDARD DRAWING TO : technologystandards@rms.nsw.gov.au	SFR	R0800-26	-
								DATE 20.01.17	MANAGER ROAD POLICY, SPECIFICATIONS & TECHNOLOGY	PREPARED BY ENGINEERING SERVICES ROAD POLICY, SPECIFICATIONS AND AND TECHNOLOGY	EDMS No. DS2014/006013

Transport Roads & Maritime Services

NSW GOVERNMENT

PREPARED BY
ENGINEERING SERVICES
ROAD POLICY, SPECIFICATIONS AND
AND TECHNOLOGY

STANDARD DRAWING
ROAD DESIGN ENGINEERING
R0800 FENCING SERIES
PEDESTRIAN FENCE
TYPE 6 - MEDIAN

SHEET 1 OF 1

DATE 20.01.17

EDMS No. DS2014/006013

ORIGINAL ISSUE DATE JANUARY 2017

© Roads and Maritime Services