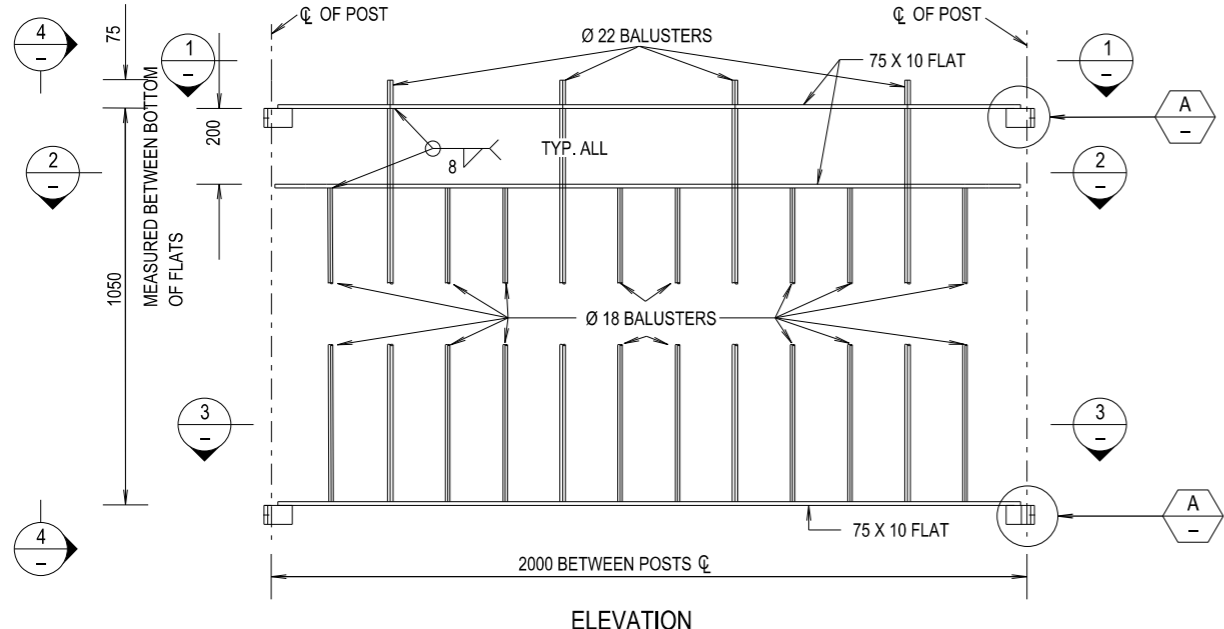
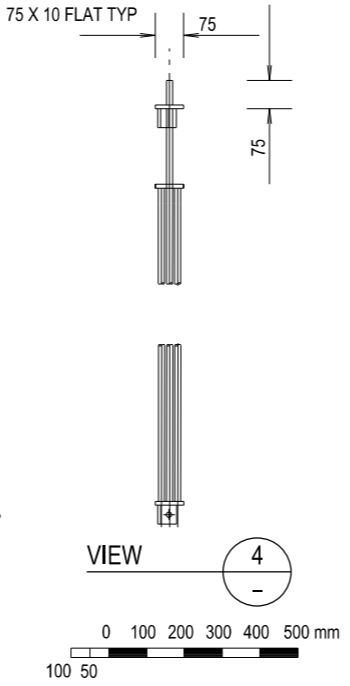


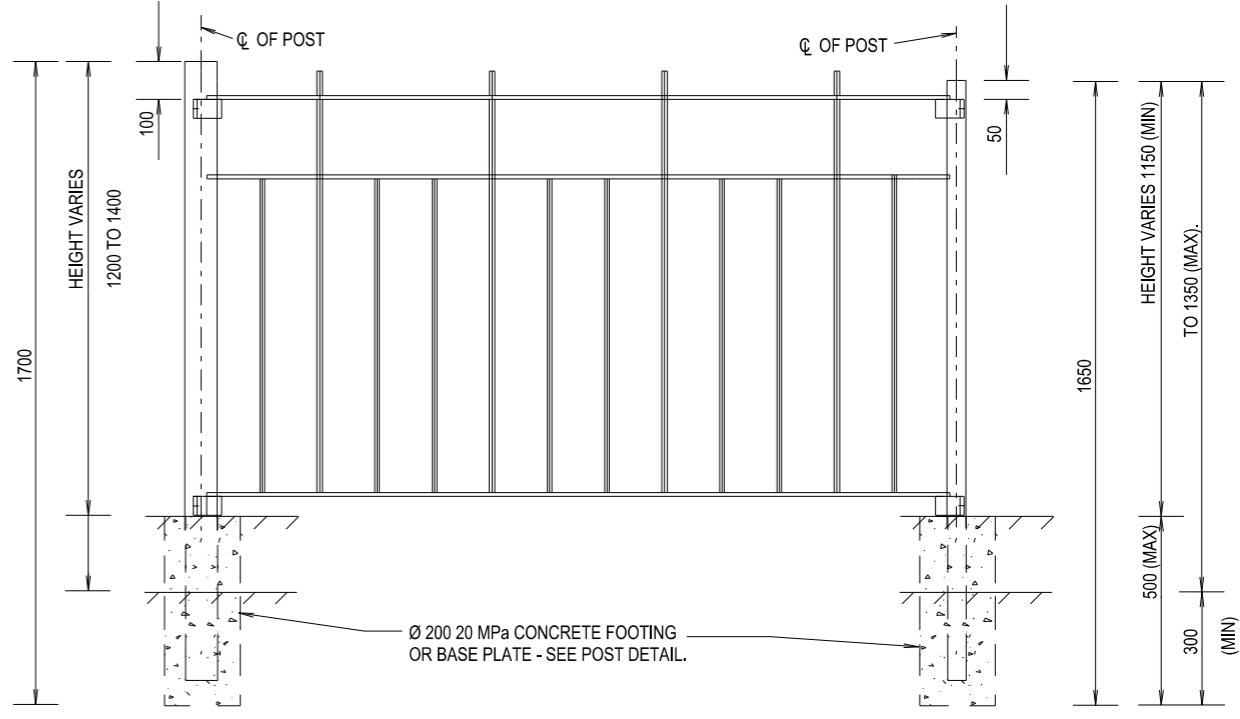
THIS DRAWING MAY BE PREPARED IN COLOUR AND MAY BE INCOMPLETE IF COPIED



ELEVATION

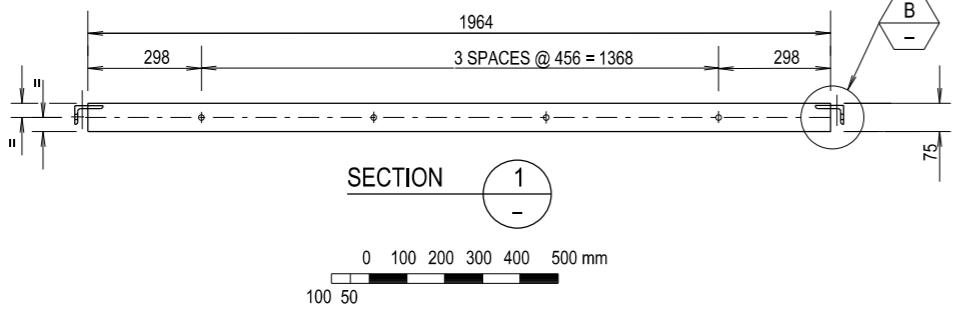


VIEW 4

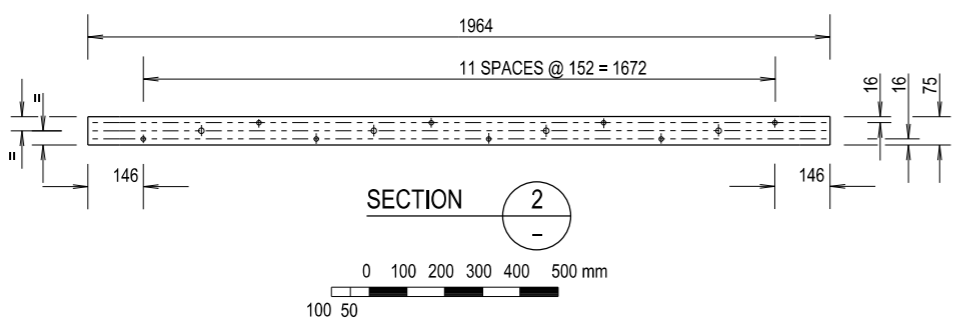


END POST

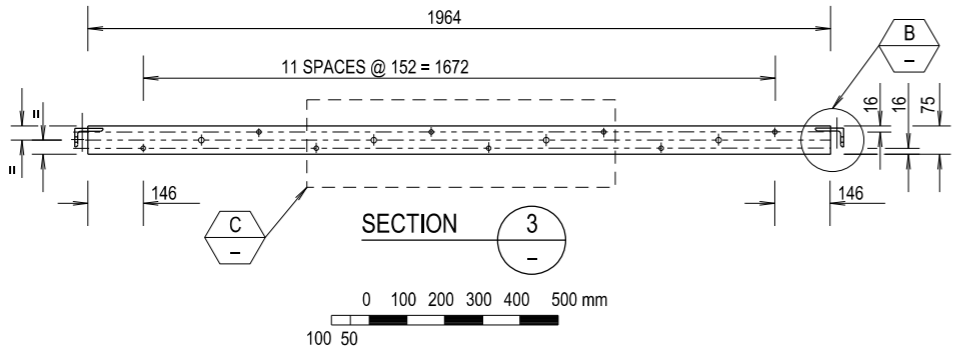
INTERMEDIATE POST



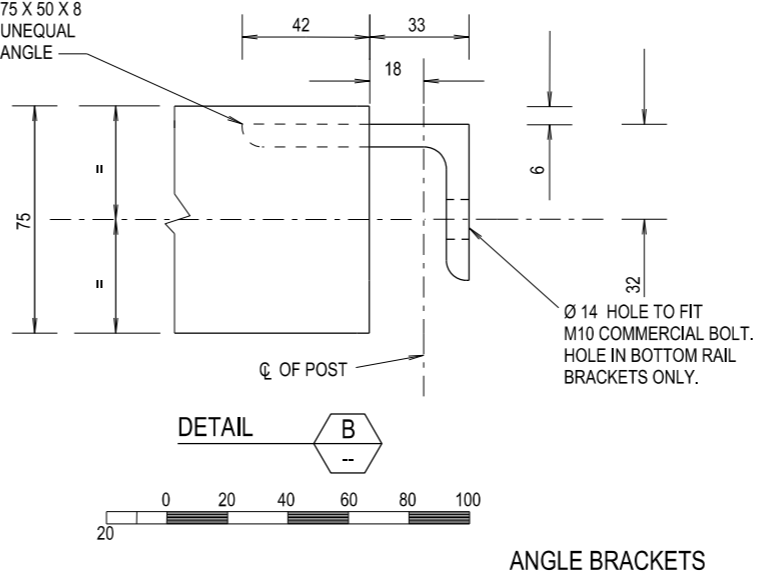
SECTION 1



SECTION 2

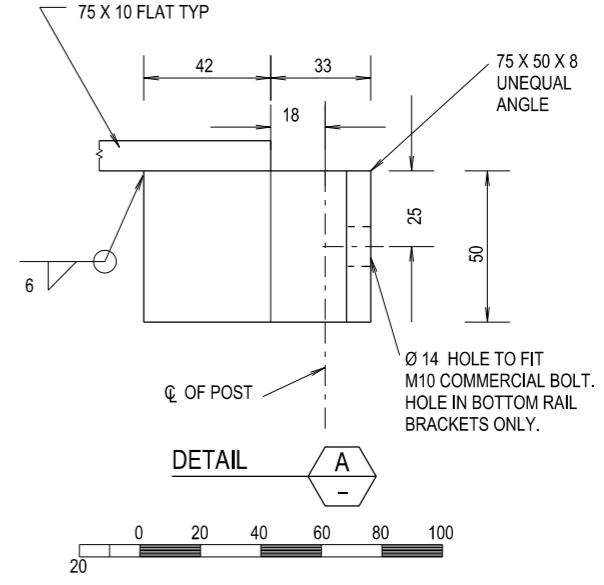


SECTION 3

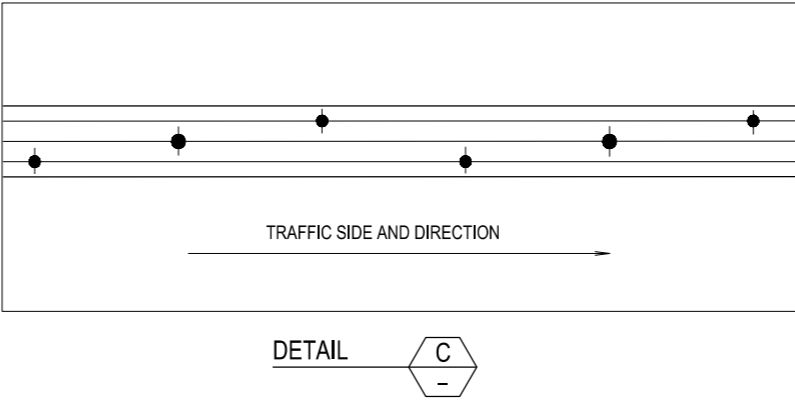


DETAIL B

ANGLE BRACKETS



DETAIL A



DETAIL C

ALL DIMENSIONS ARE IN MILLIMETRES UNLESS OTHERWISE SHOWN

QR CODE	REV	DATE	AMENDMENT / REVISION DESCRIPTION	WVR No.	APPROVAL	SCALES ON A3 SIZE DRAWING	CONTACT DETAILS	ISSUED	STANDARD DRAWING No.	REV.
							SEND FEEDBACK ON THIS STANDARD DRAWING TO : technologystandards@rms.nsw.gov.au	SFR	R0800-25	-
								MANAGER ROAD POLICY, SPECIFICATIONS & TECHNOLOGY	EDMS No. DS2014/006012	ORIGINAL ISSUE DATE JANUARY 2017
								DATE 20.01.17	PREPARED BY ENGINEERING SERVICES ROAD POLICY, SPECIFICATIONS AND TECHNOLOGY	SHEET 1 OF 1

Transport Roads & Maritime Services
 PREPARED BY
 ENGINEERING SERVICES
 ROAD POLICY, SPECIFICATIONS AND
 TECHNOLOGY

STANDARD DRAWING
 ROAD DESIGN ENGINEERING
 R0800 FENCING SERIES
 PEDESTRIAN FENCE
 TYPE TYPE 6 - VERGE
 SHEET 1 OF 1
 ORIGINAL ISSUE DATE
 JANUARY 2017