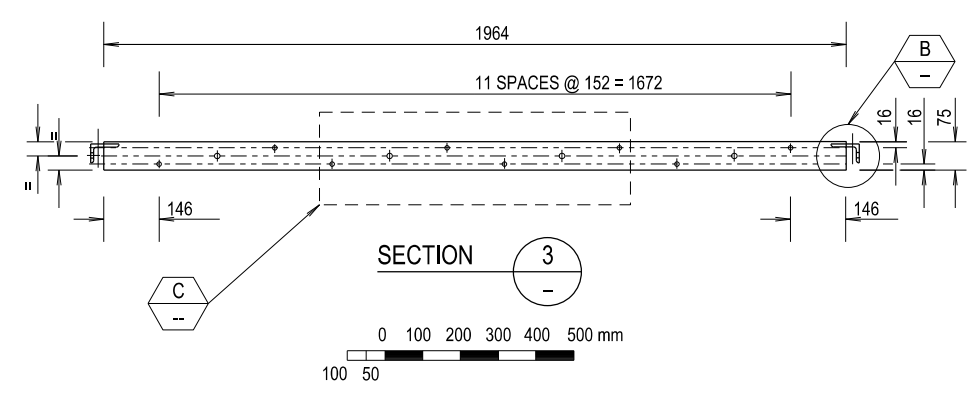
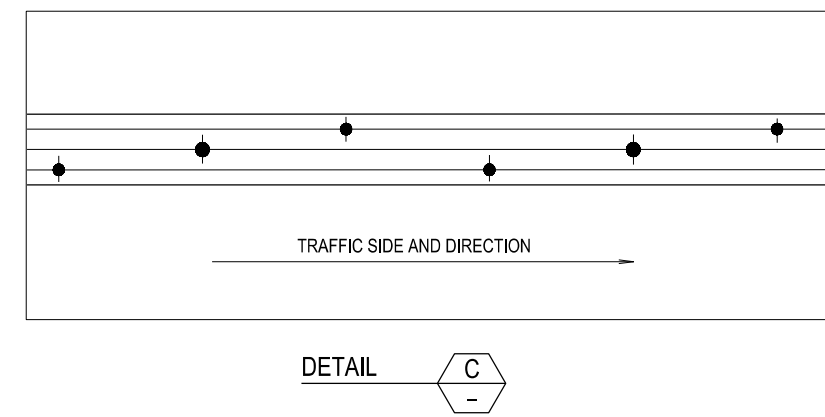
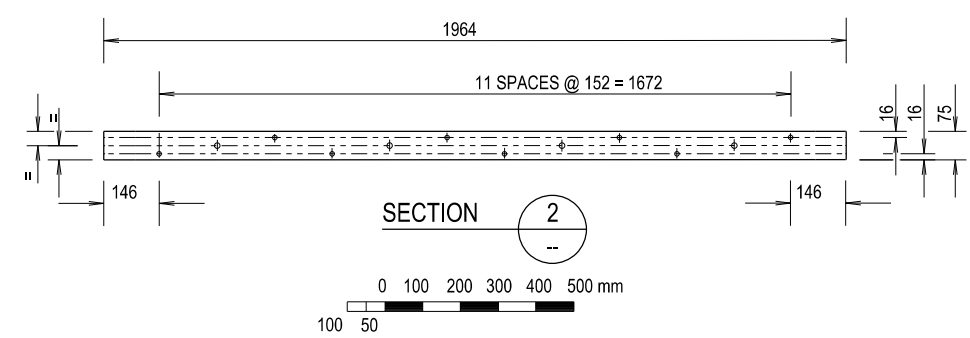
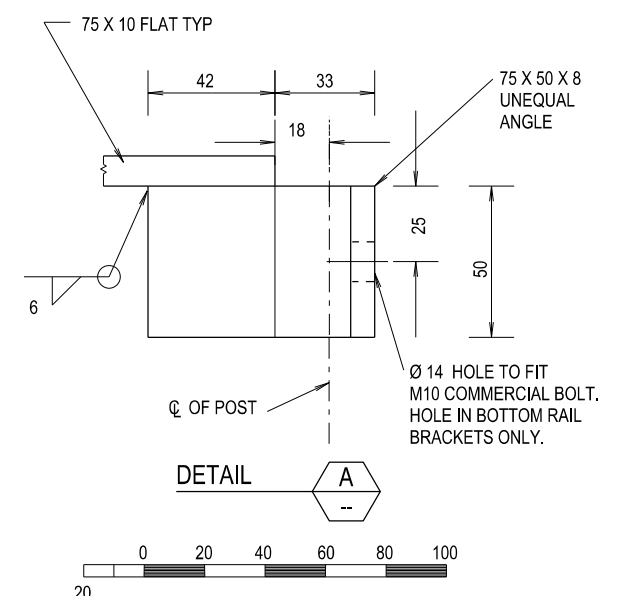
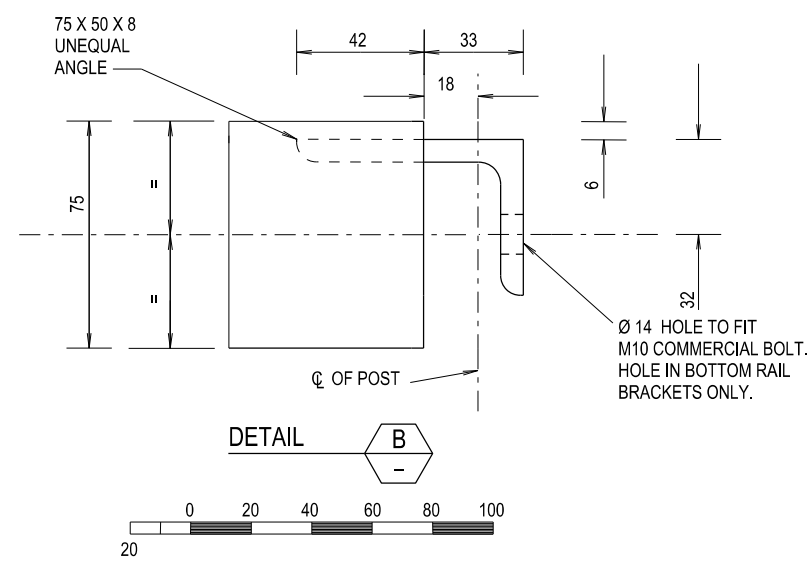
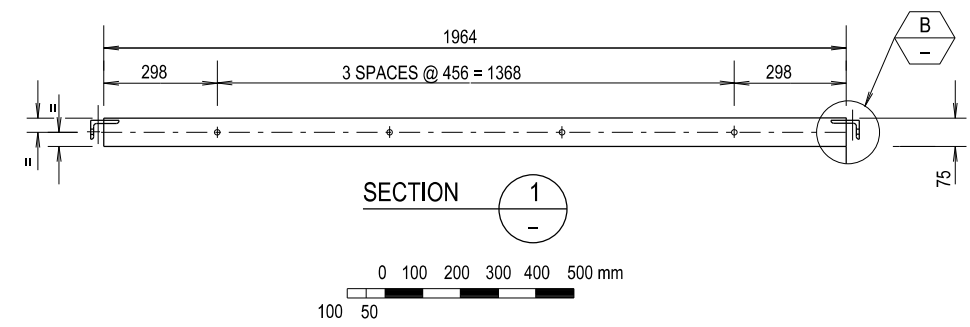
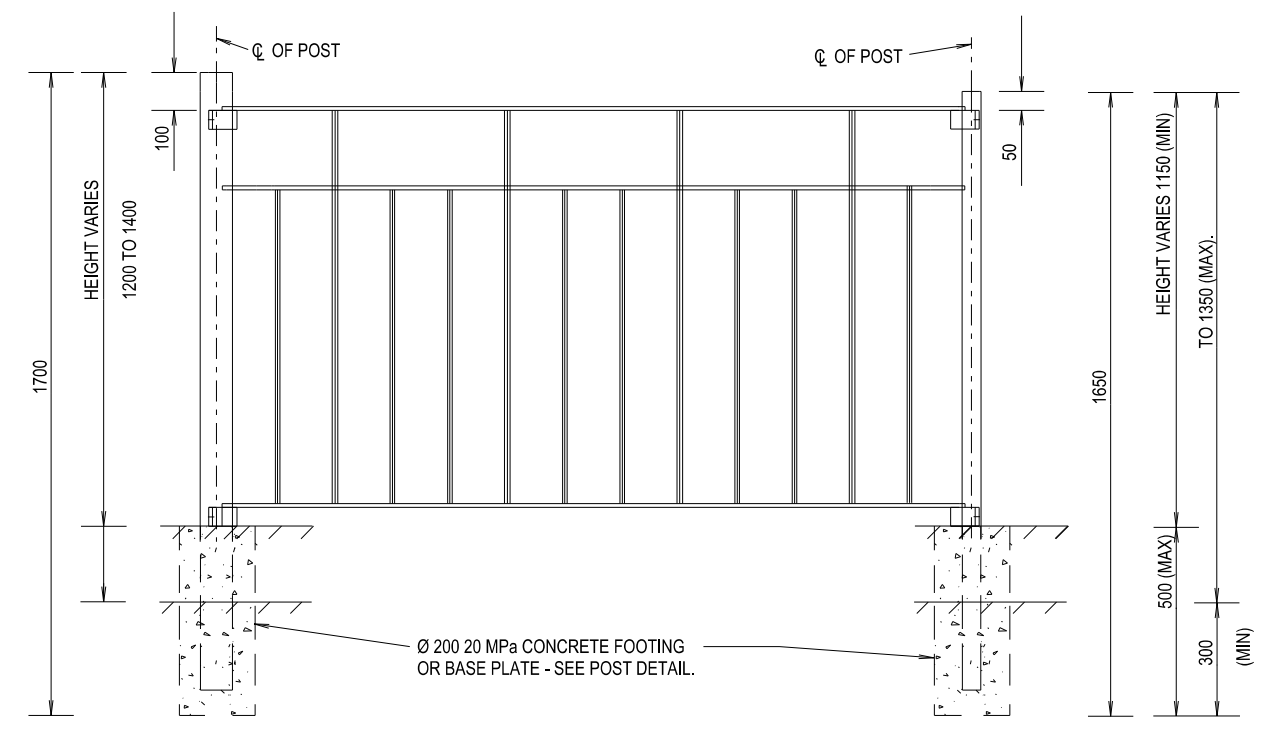
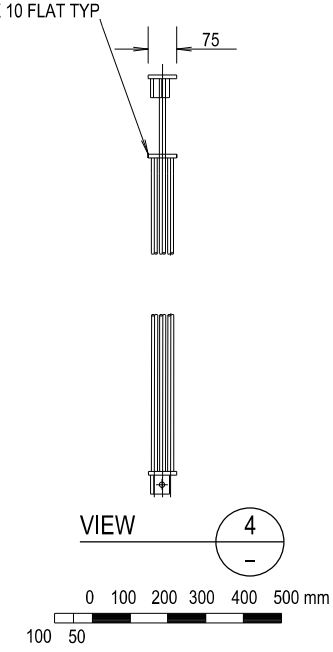
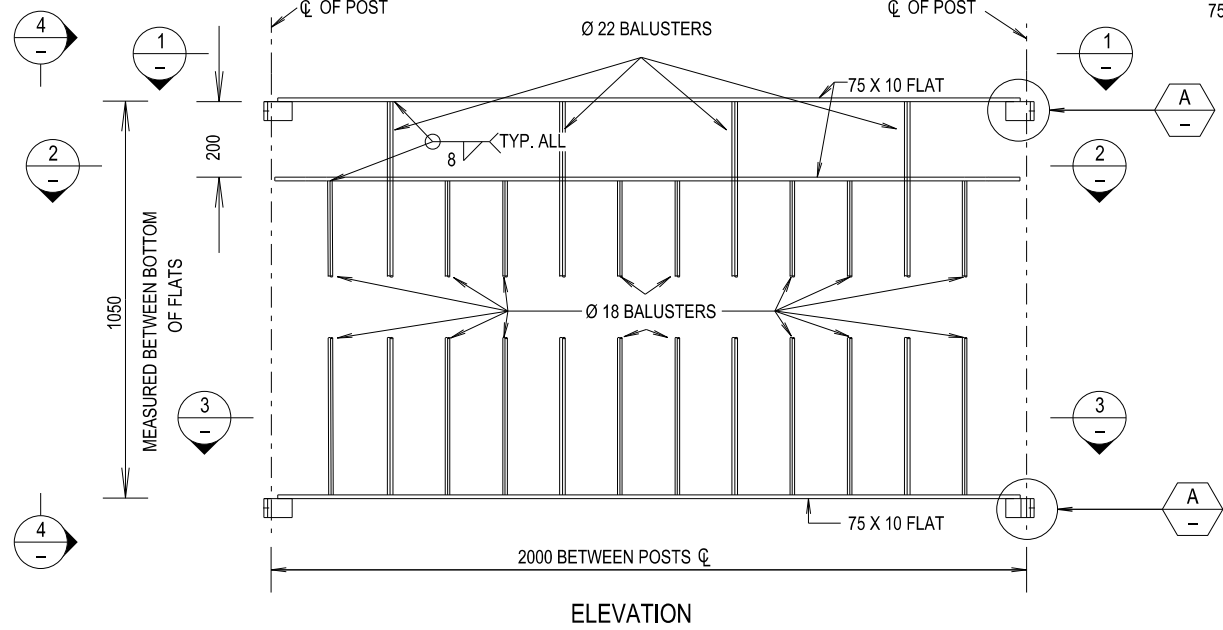


THIS DRAWING MAY BE PREPARED IN COLOUR AND MAY BE INCOMPLETE IF COPIED



QR CODE			SCAN TO CHECK DOCUMENT VER.			ALL DIMENSIONS ARE IN MILLIMETRES UNLESS OTHERWISE SHOWN			ISSUED			STANDARD DRAWING		
REV			DATE			SCALES ON A3 SIZE DRAWING			SFR			ROAD DESIGN ENGINEERING		
AMENDMENT / REVISION DESCRIPTION			WVR No.			CONTACT DETAILS			MANAGER ROAD POLICY, SPECIFICATIONS & TECHNOLOGY			R0800 FENCING SERIES		
						SEND FEEDBACK ON THIS STANDARD DRAWING TO : technologystandards@rms.nsw.gov.au			DATE 20.01.17			PEDESTRIAN FENCE		
									PREPARED BY ENGINEERING SERVICES ROAD POLICY, SPECIFICATIONS AND AND TECHNOLOGY			TYPE 5 - VERGE		
									NSW GOVERNMENT			SHEET 1 OF 1		
									Transport Roads & Maritime Services			R0800-23		
									EDMS No. DS2014/006010			ORIGINAL ISSUE DATE JANUARY 2017		
									© Roads and Maritime Services					