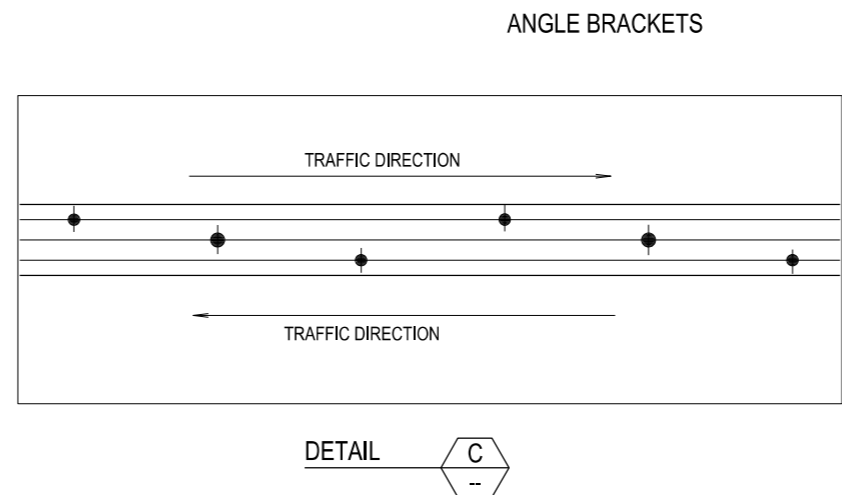
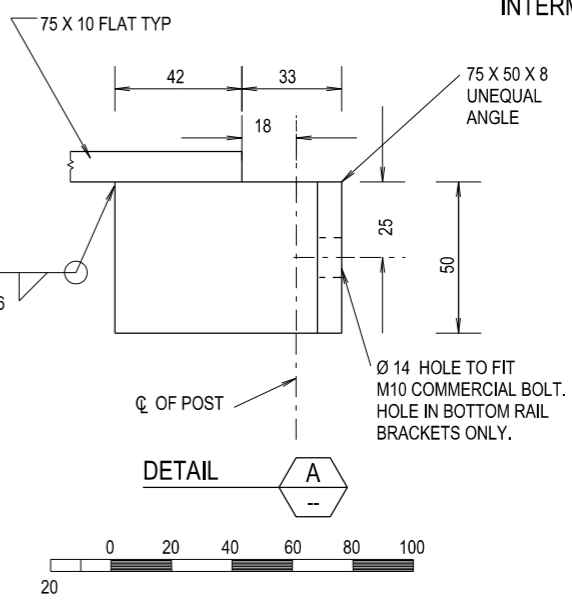
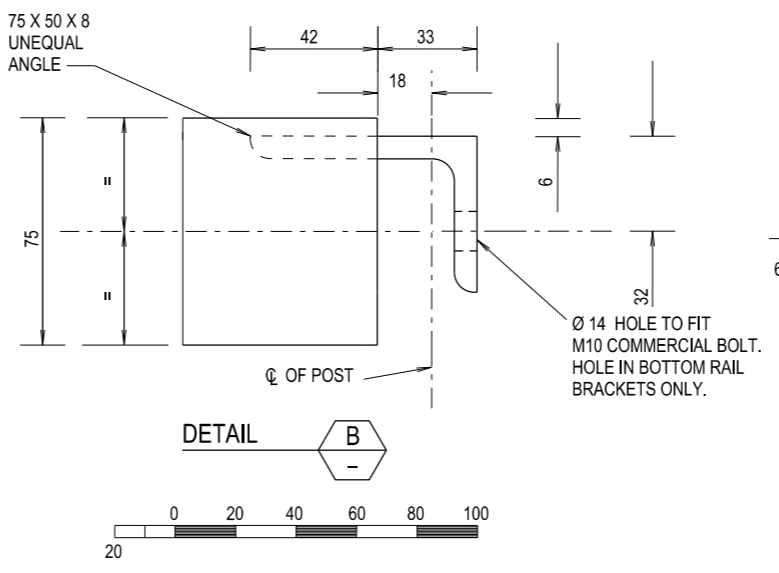
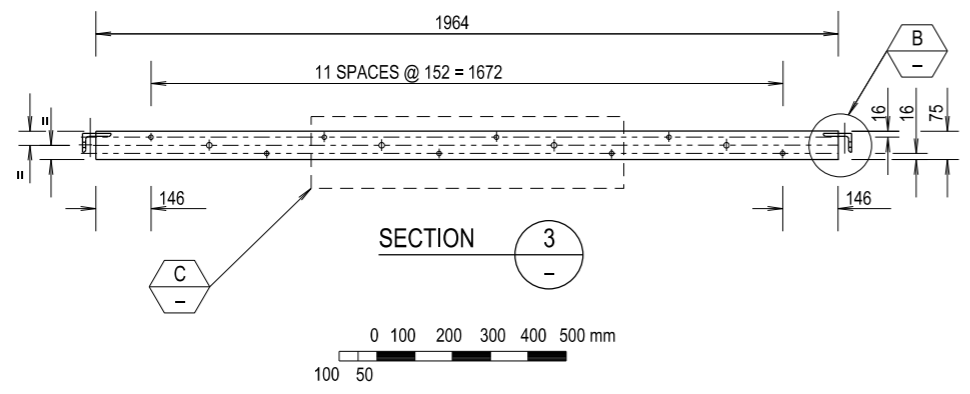
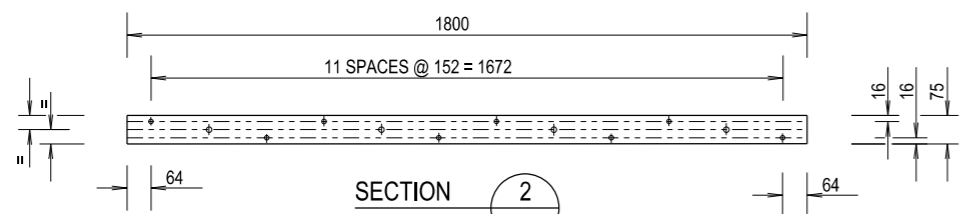
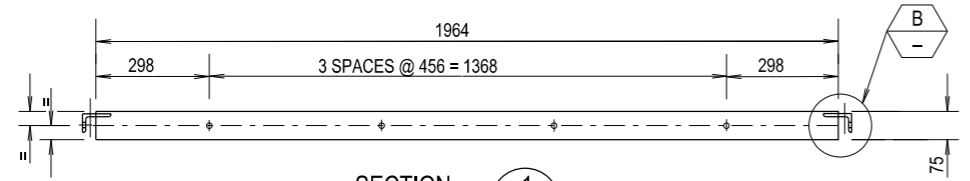
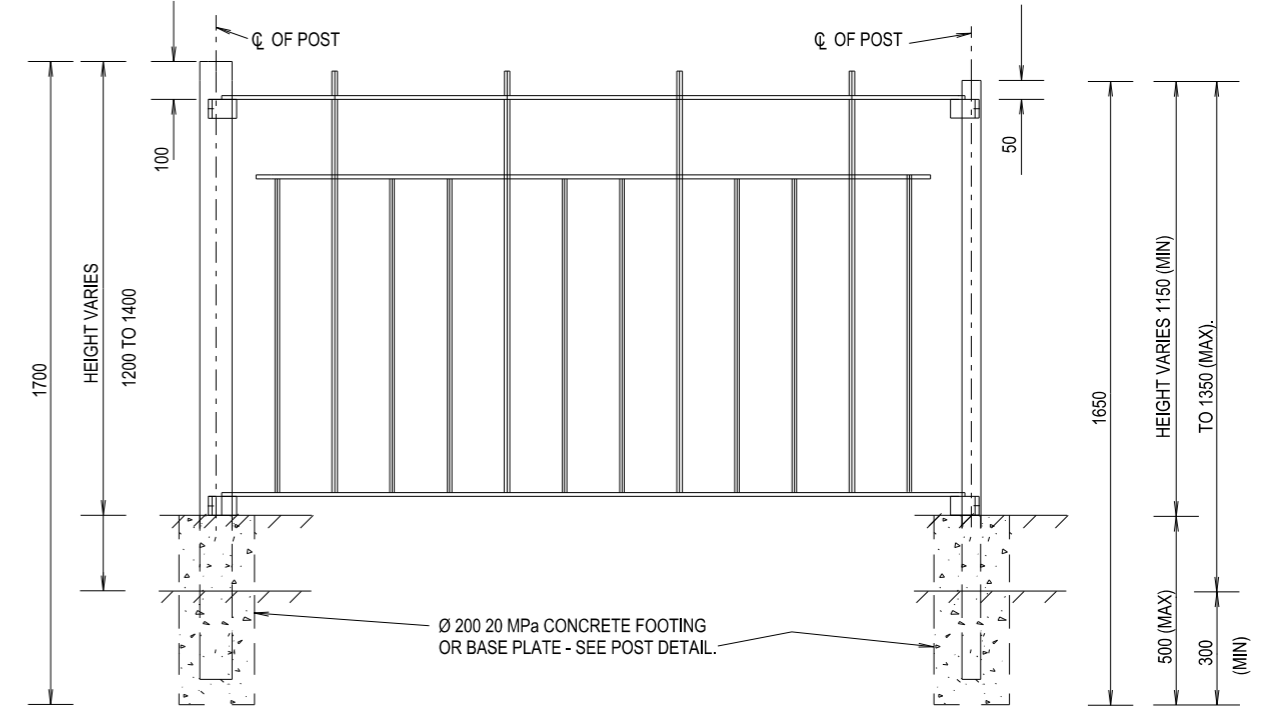
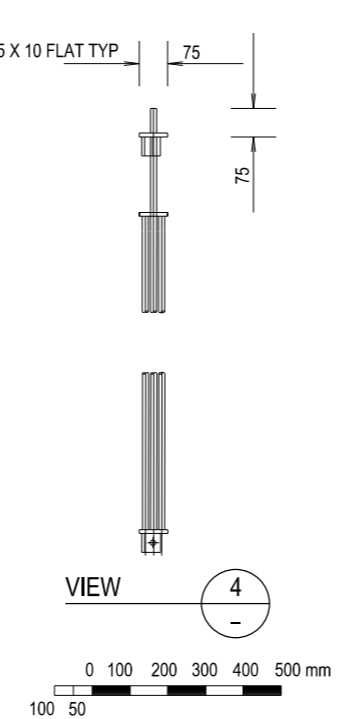
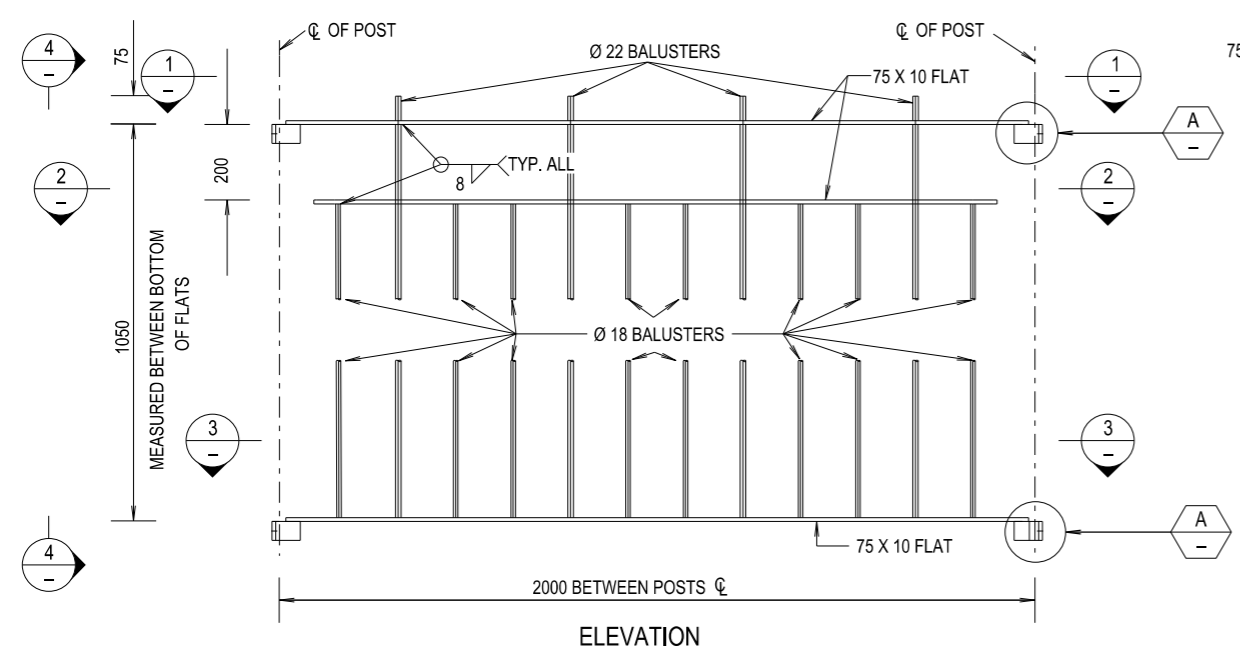



THIS DRAWING MAY BE PREPARED IN COLOUR AND MAY BE INCOMPLETE IF COPIED



			ALL DIMENSIONS ARE IN MILLIMETRES UNLESS OTHERWISE SHOWN			ISSUED SFR MANAGER ROAD POLICY, SPECIFICATIONS & TECHNOLOGY DATE 20.01.17		TRANSPORT NSW GOVERNMENT Roads & Maritime Services		STANDARD DRAWING ROAD DESIGN ENGINEERING R0800 FENCING SERIES PEDESTRIAN FENCE TYPE 4 - MEDIAN SHEET 1 OF 1	
REV	DATE	AMENDMENT / REVISION DESCRIPTION	WVR No.	APPROVAL	CONTACT DETAILS SEND FEEDBACK ON THIS STANDARD DRAWING TO : technologystandards@rms.nsw.gov.au	PREPARED BY ENGINEERING SERVICES ROAD POLICY, SPECIFICATIONS AND AND TECHNOLOGY		STANDARD DRAWING No. R0800-22		STATUS ISSUED	
SCALES ON A3 SIZE DRAWING			ORIGINAL ISSUE DATE JANUARY 2017			EDMS No. DS2014/006009		© Roads and Maritime Services		REV. -	