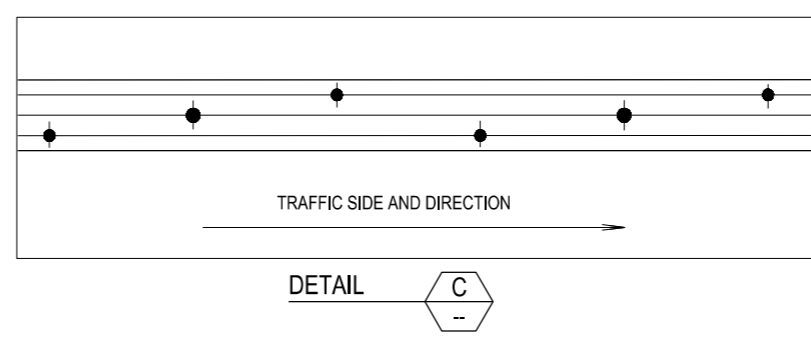
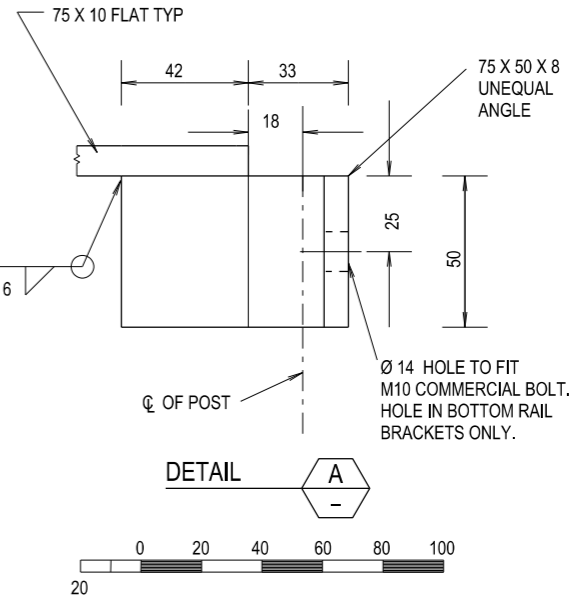
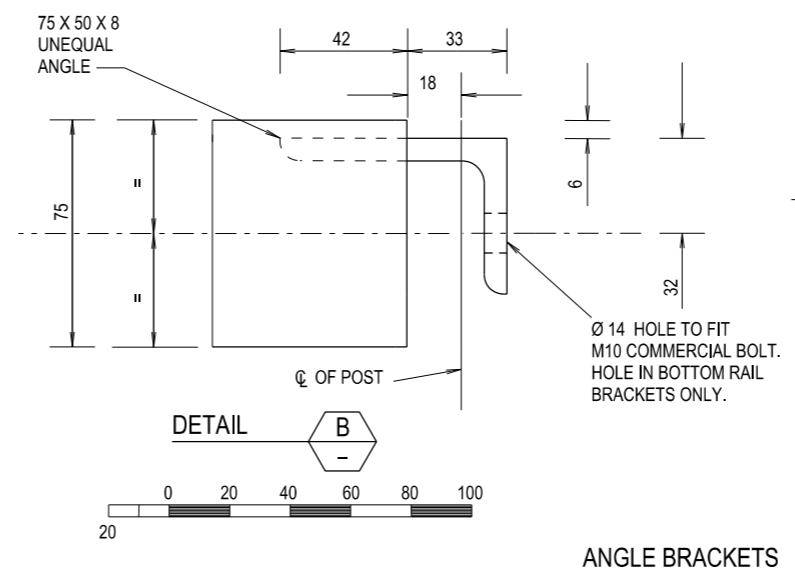
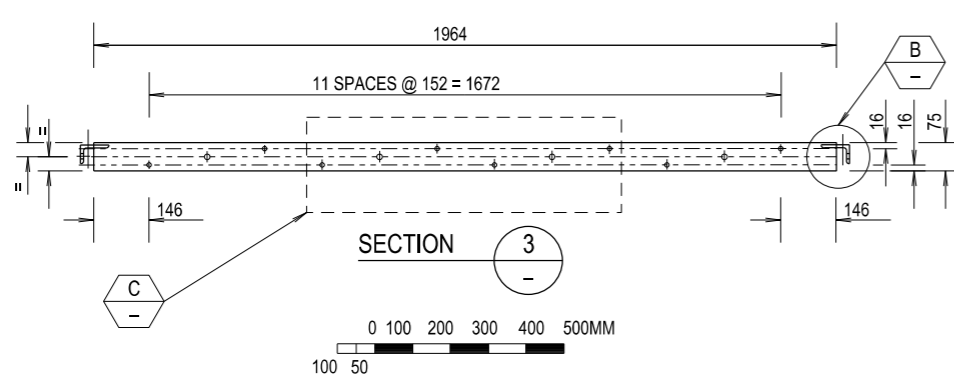
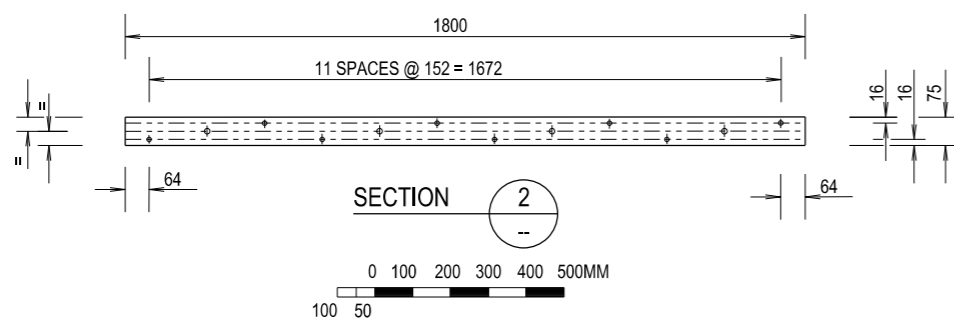
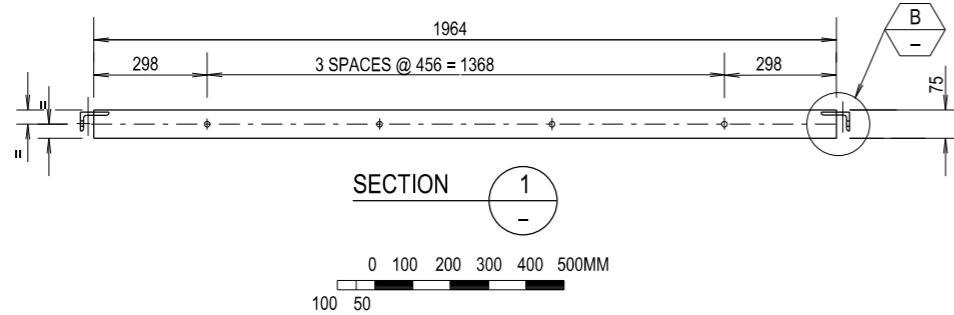
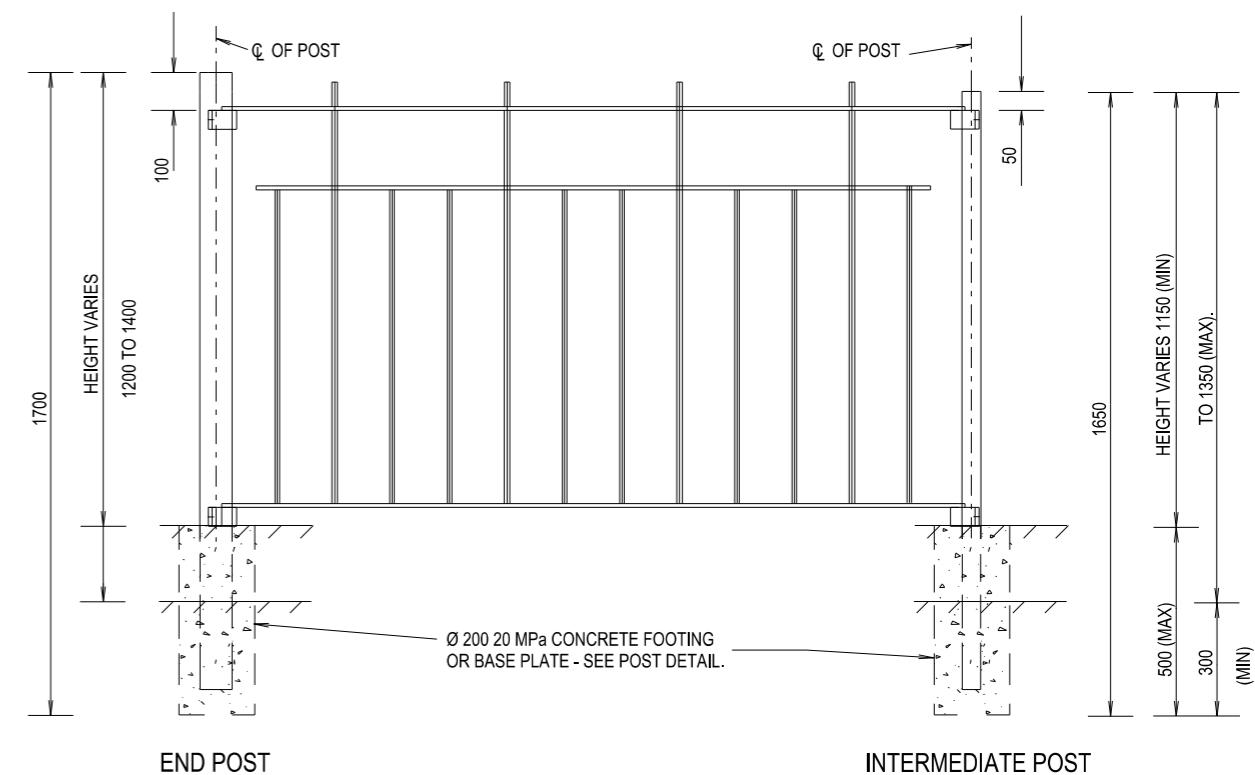
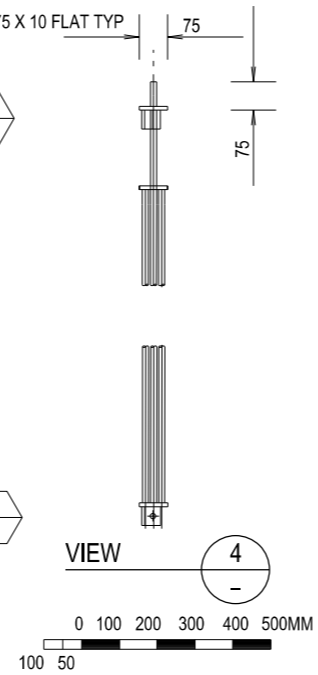
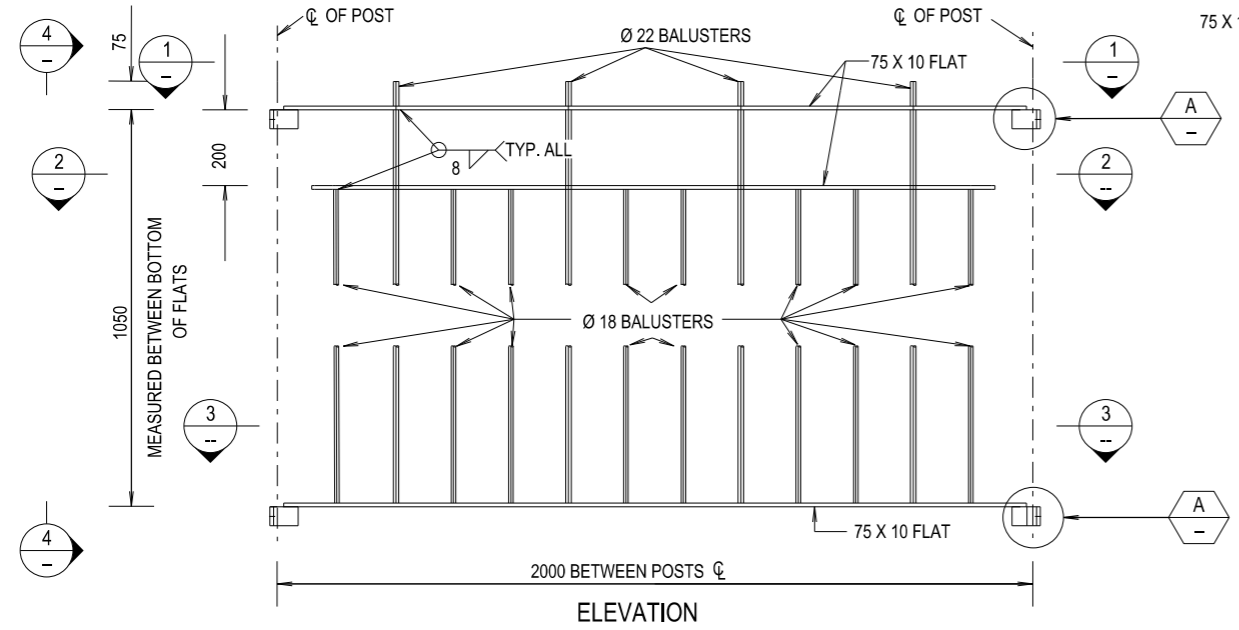



THIS DRAWING MAY BE PREPARED IN COLOUR AND MAY BE INCOMPLETE IF COPIED



|   |      |                                  |  |          |                           |  |   |  |  |   |                               |                        |
|---|------|----------------------------------|--|----------|---------------------------|--|---|--|--|---|-------------------------------|------------------------|
|  |      |                                  | ALL DIMENSIONS ARE IN MILLIMETRES UNLESS OTHERWISE SHOWN |          |                           | ISSUED<br>SFR<br>MANAGER ROAD POLICY, SPECIFICATIONS & TECHNOLOGY<br>DATE 20.01.17 |   | TRANSPORT<br>NSW GOVERNMENT<br>Roads & Maritime Services |  | STANDARD DRAWING<br>ROAD DESIGN ENGINEERING<br>R0800 FENCING SERIES<br>PEDESTRIAN FENCE<br>TYPE 4 - VERGE<br>STANDARD DRAWING No. R0800-21<br>STATUS ISSUED<br>EDMS No. DS2014/006008<br>ORIGINAL ISSUE DATE JANUARY 2017 |                               | SHEET 1 OF 1<br>REV. - |
| REV   | DATE | AMENDMENT / REVISION DESCRIPTION | WVR No.  | APPROVAL | SCALES ON A3 SIZE DRAWING | CONTACT DETAILS  | SEND FEEDBACK ON THIS STANDARD DRAWING TO :<br>technologystandards@rms.nsw.gov.au |  | PREPARED BY<br>ENGINEERING SERVICES<br>ROAD POLICY, SPECIFICATIONS AND<br>AND TECHNOLOGY |   | © Roads and Maritime Services |                        |