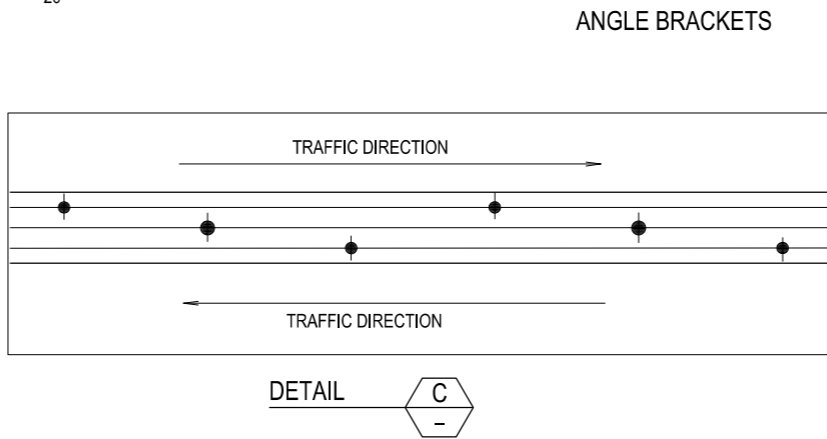
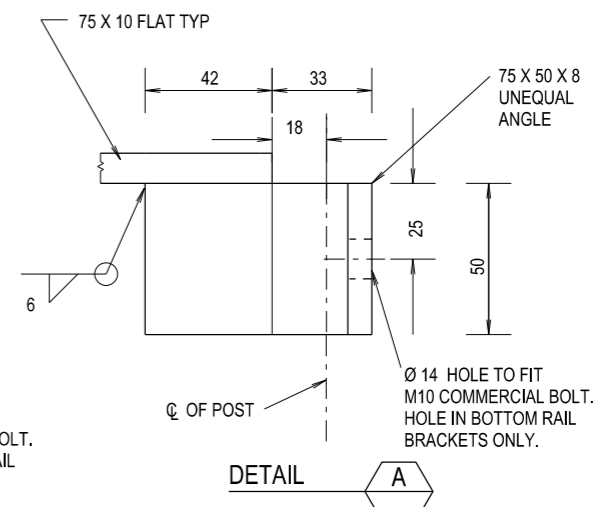
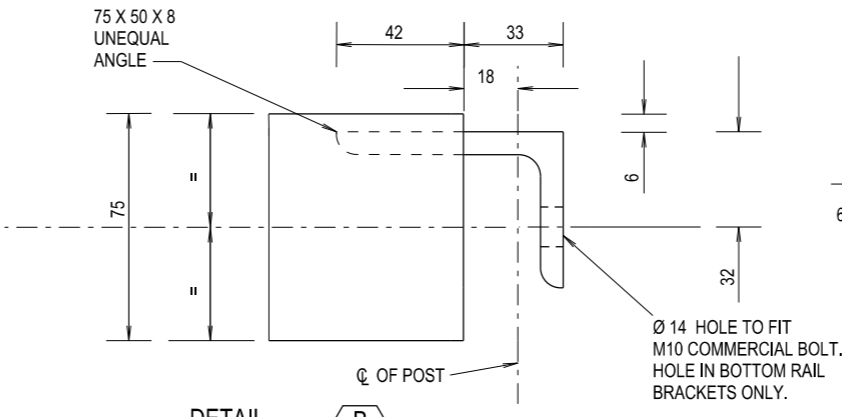
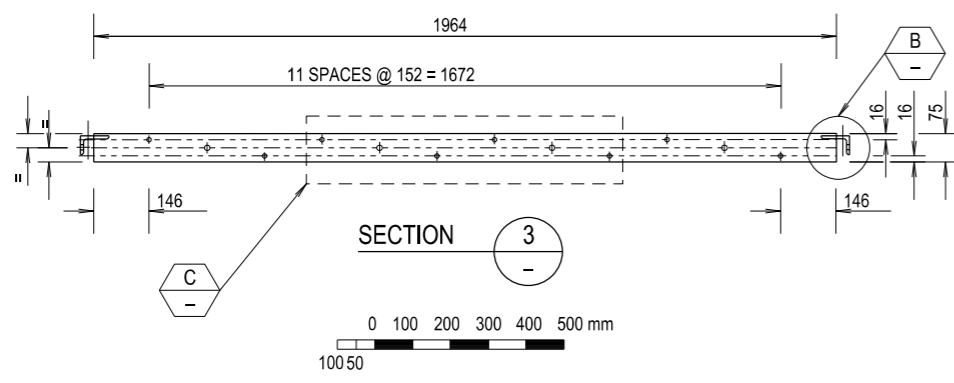
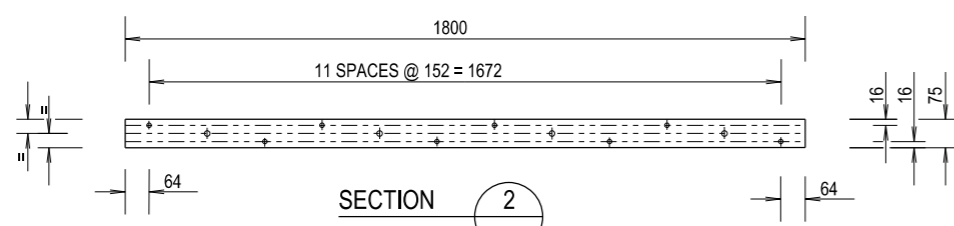
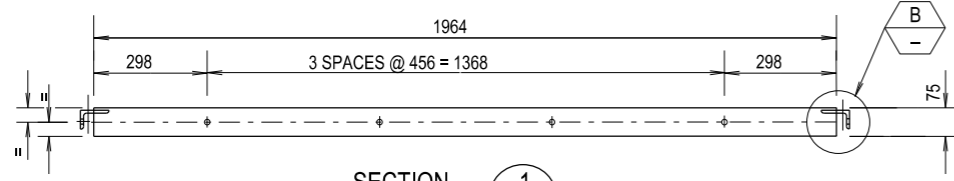
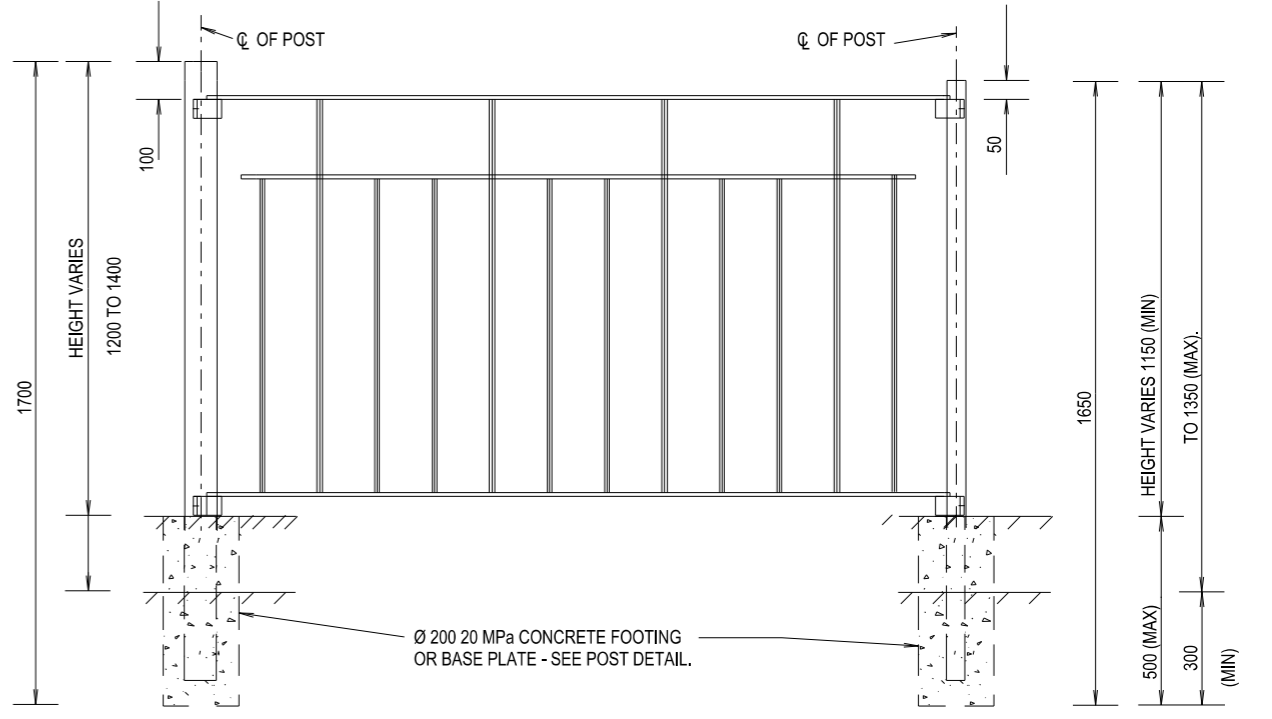
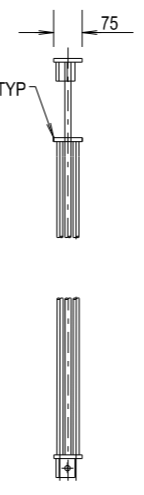
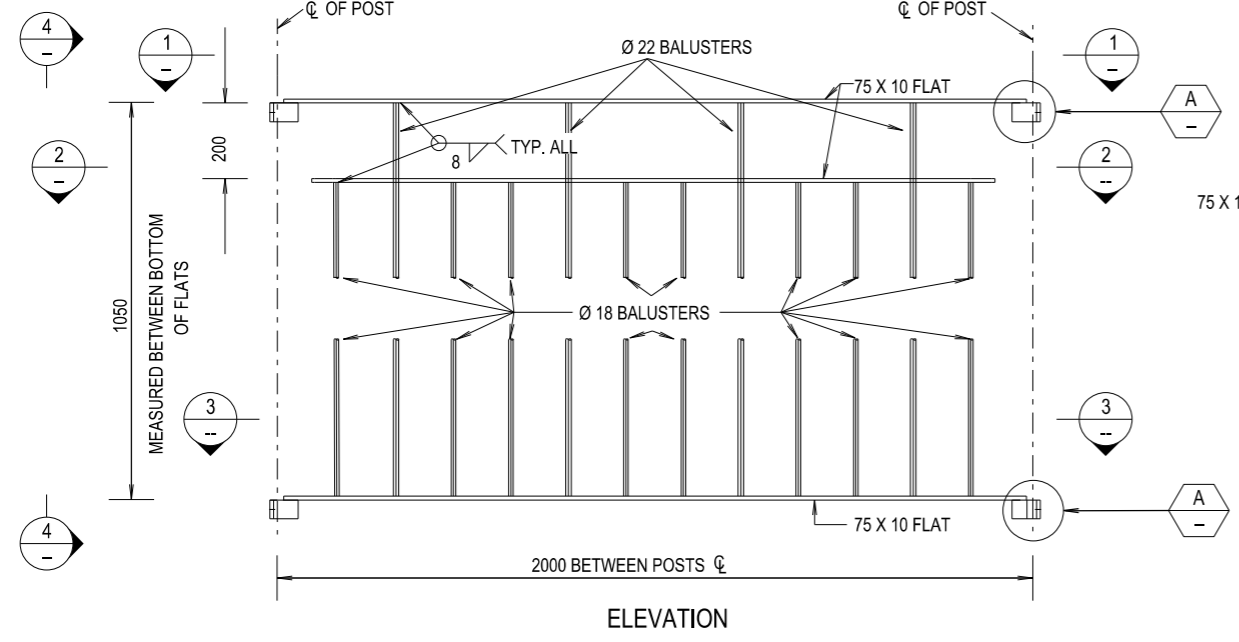


THIS DRAWING MAY BE PREPARED IN COLOUR AND MAY BE INCOMPLETE IF COPIED



			ALL DIMENSIONS ARE IN MILLIMETRES UNLESS OTHERWISE SHOWN			ISSUED SFR MANAGER ROAD POLICY, SPECIFICATIONS & TECHNOLOGY DATE 20.01.17			STANDARD DRAWING ROAD DESIGN ENGINEERING R0800 FENCING SERIES PEDESTRIAN FENCE TYPE 3 - MEDIAN SHEET 1 OF 1		
QR CODE SCAN TO CHECK DOCUMENT VER.	REV DATE AMENDMENT / REVISION DESCRIPTION	WVR No. APPROVAL	SCALES ON A3 SIZE DRAWING	CONTACT DETAILS SEND FEEDBACK ON THIS STANDARD DRAWING TO : technologystandards@rms.nsw.gov.au	PREPARED BY ENGINEERING SERVICES ROAD POLICY, SPECIFICATIONS AND AND TECHNOLOGY	EDMS No. DS2014/006007	ORIGINAL ISSUE DATE JANUARY 2017	STANDARD DRAWING No. R0800-20	STATUS ISSUED	REV. -	