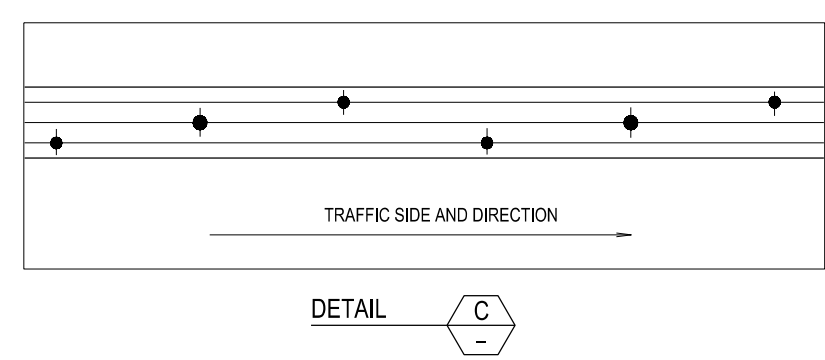
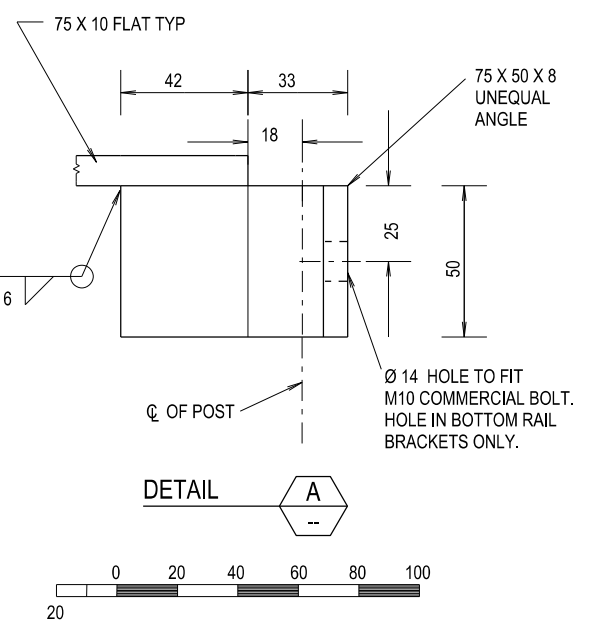
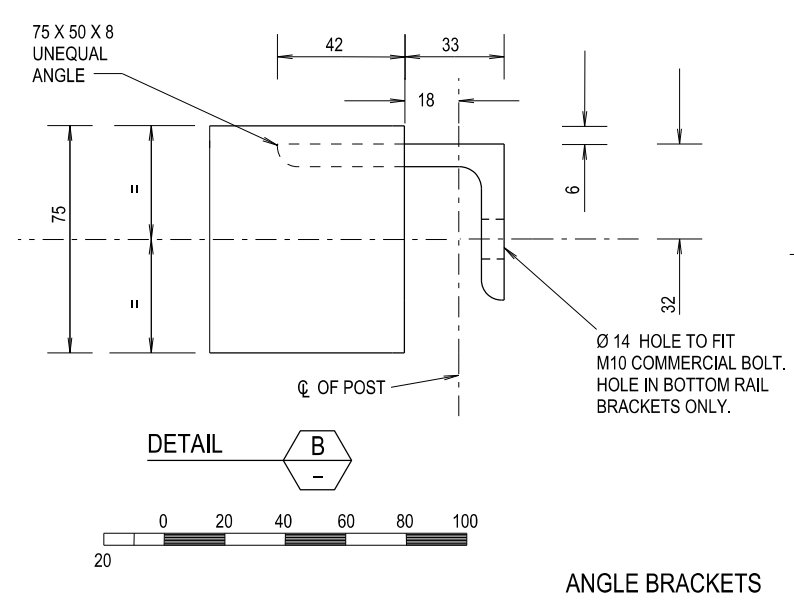
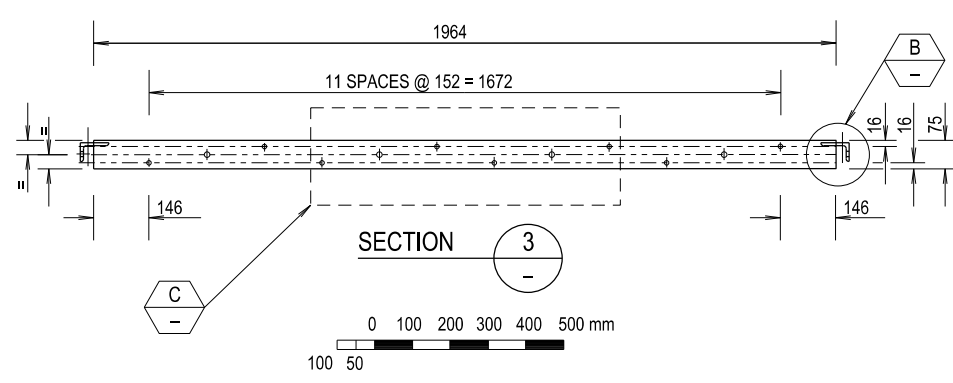
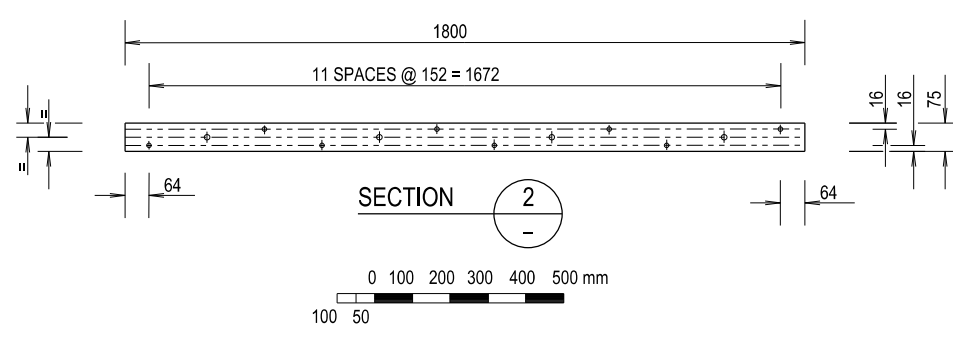
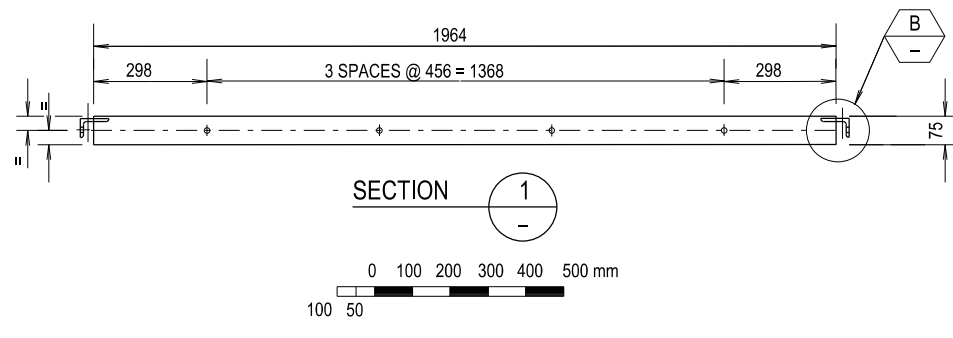
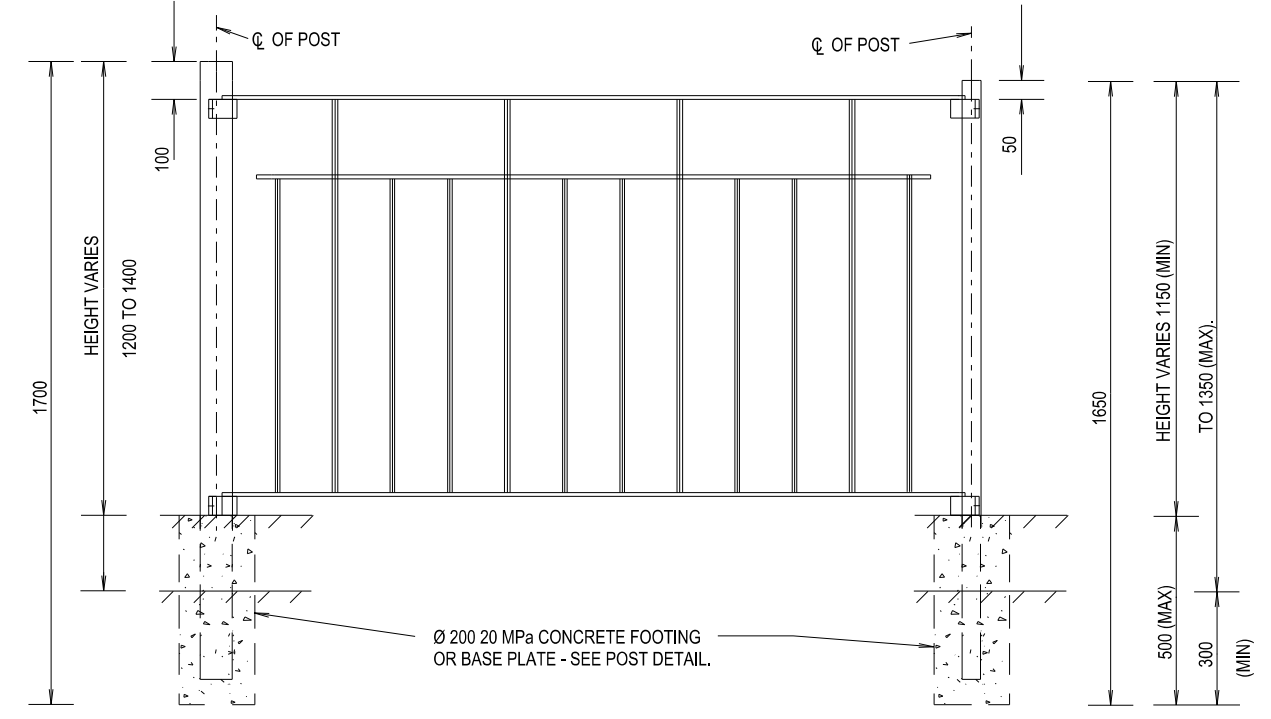
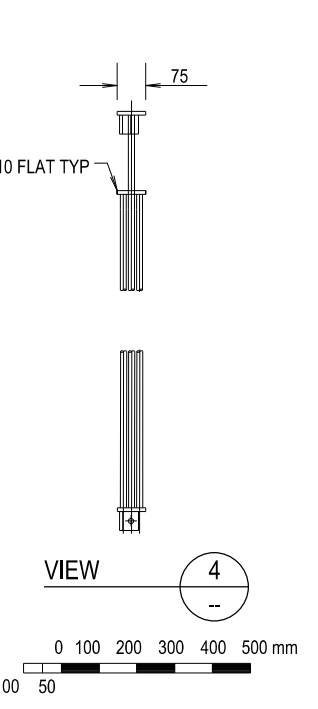
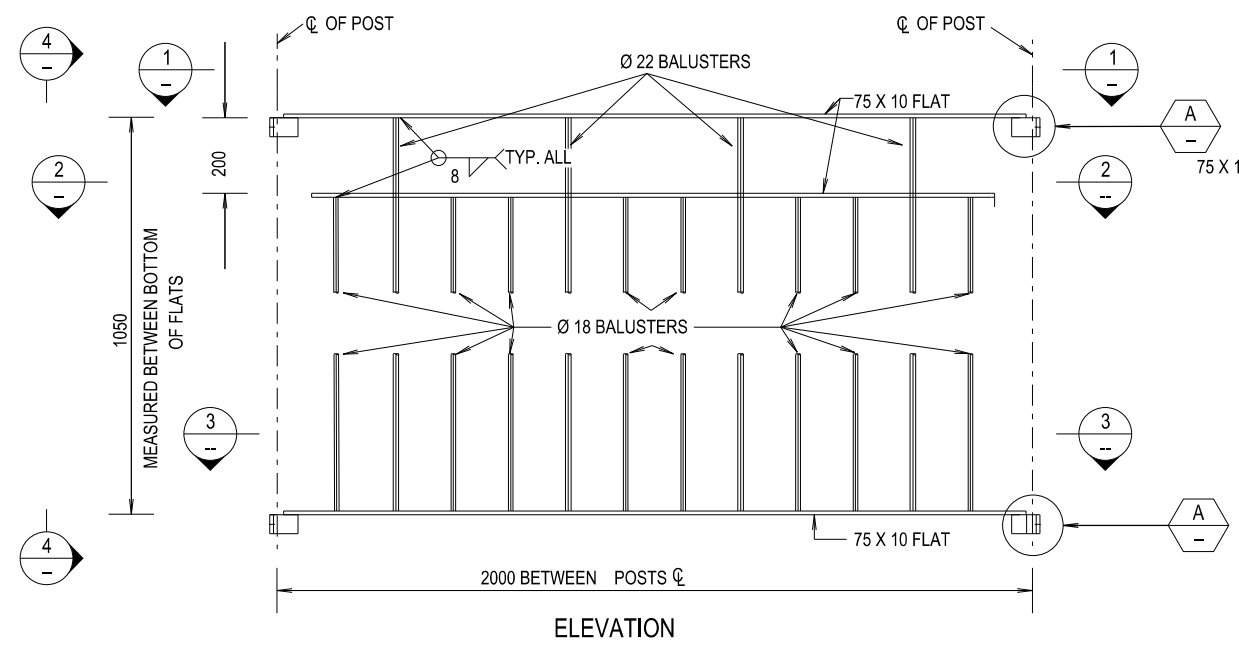



THIS DRAWING MAY BE PREPARED IN COLOUR AND MAY BE INCOMPLETE IF COPIED



| | | | | | | | | | | | |
|---|------|----------------------------------|--|----------|---------------------------|--|--------|---|---|---------------|---------------------|
|  | | | ALL DIMENSIONS ARE IN MILLIMETRES UNLESS OTHERWISE SHOWN | | | ISSUED SFR MANAGER ROAD POLICY, SPECIFICATIONS & TECHNOLOGY DATE 20.01.17 | | | STANDARD DRAWING ROAD DESIGN ENGINEERING R0800 FENCING SERIES PEDESTRIAN FENCE TYPE 3 - VERGE SHEET 1 OF 1 | | |
| REV | DATE | AMENDMENT / REVISION DESCRIPTION | WVR No. | APPROVAL | SCALES ON A3 SIZE DRAWING | CONTACT DETAILS | ISSUED | PREPARED BY | STATUS | EDMS No. | ORIGINAL ISSUE DATE |
| | | | | | | SEND FEEDBACK ON THIS STANDARD DRAWING TO : technologystandards@rms.nsw.gov.au | | ENGINEERING SERVICES ROAD POLICY, SPECIFICATIONS AND AND TECHNOLOGY | ISSUED | DS2014/006006 | JANUARY 2017 |