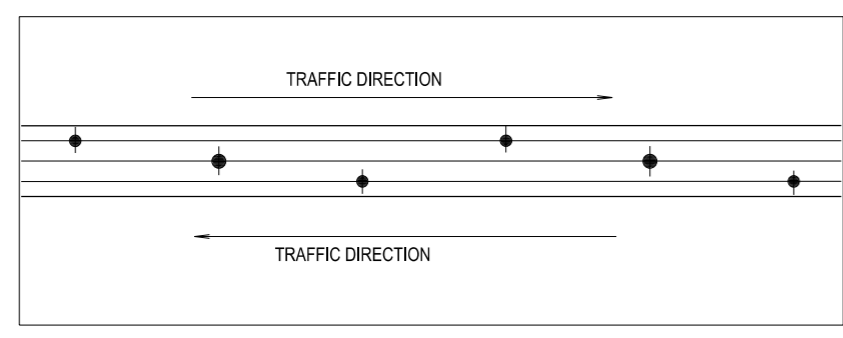
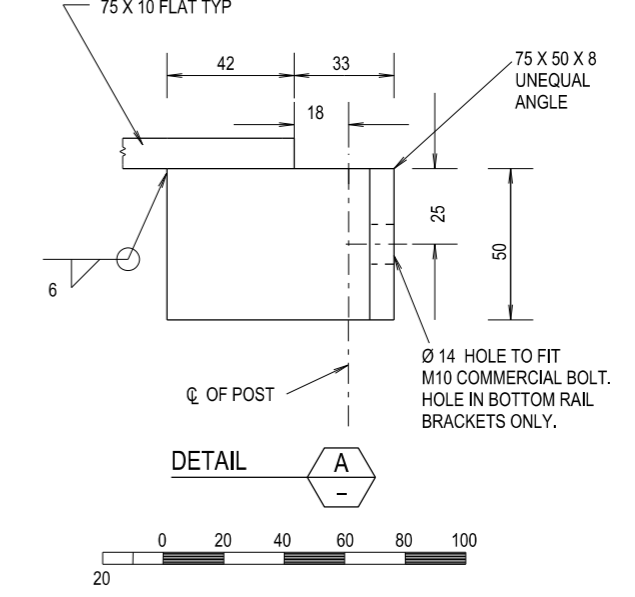
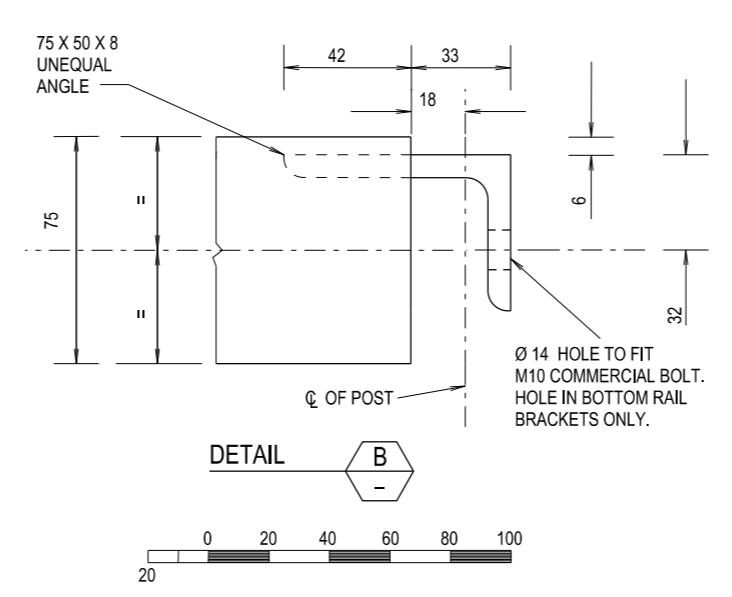
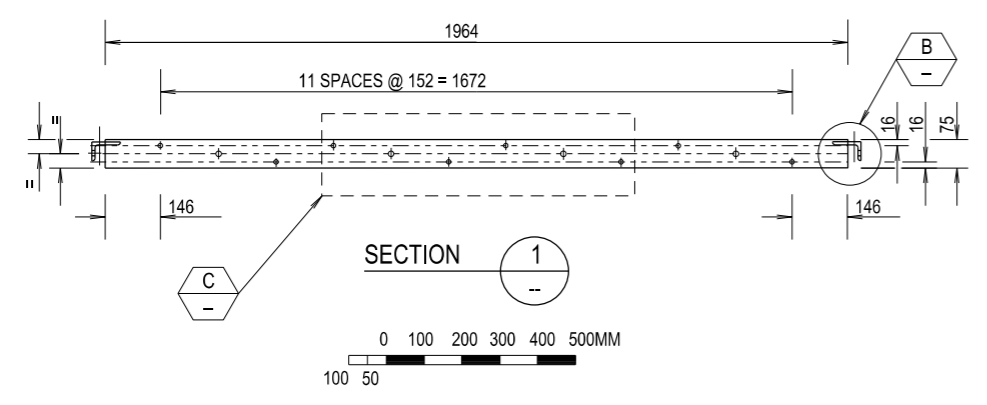
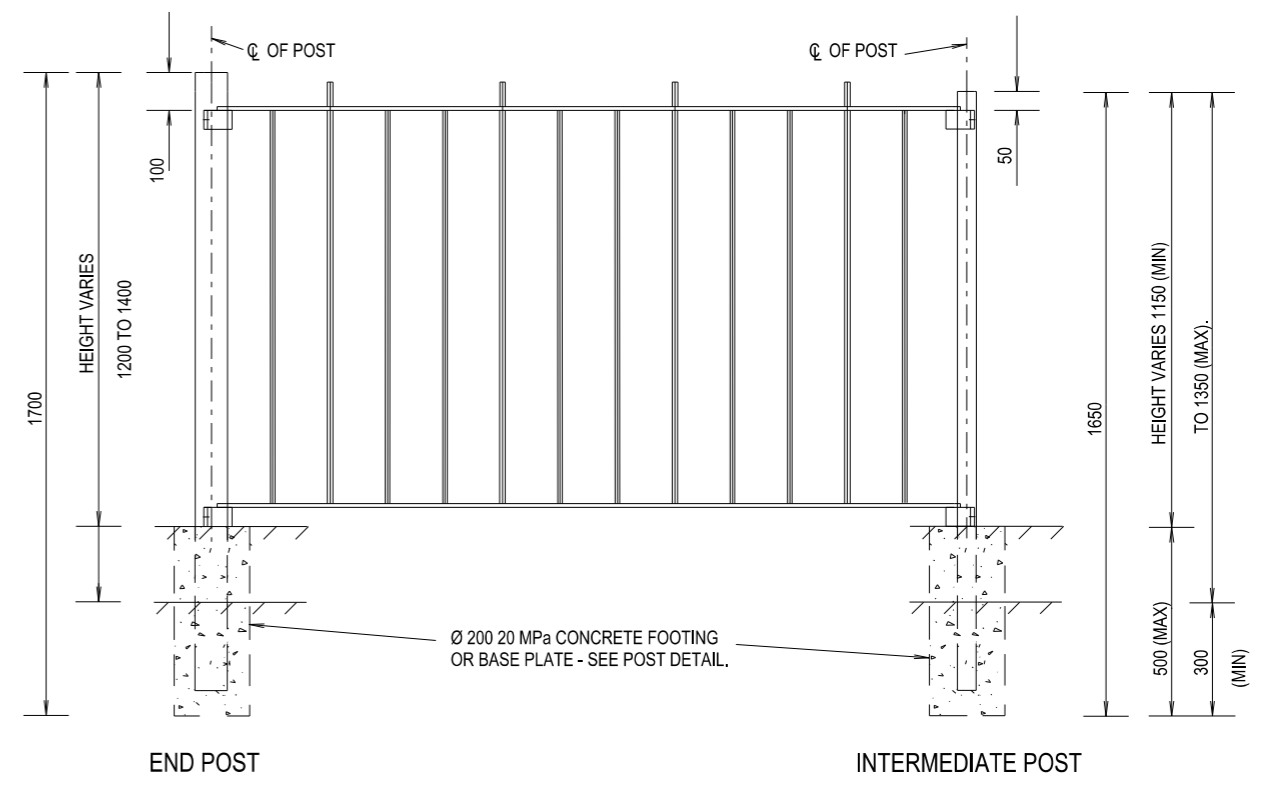
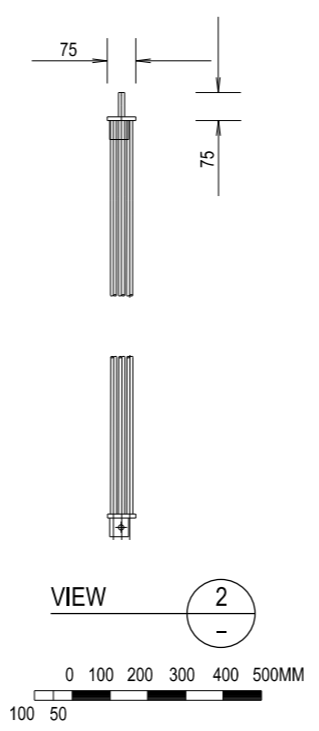
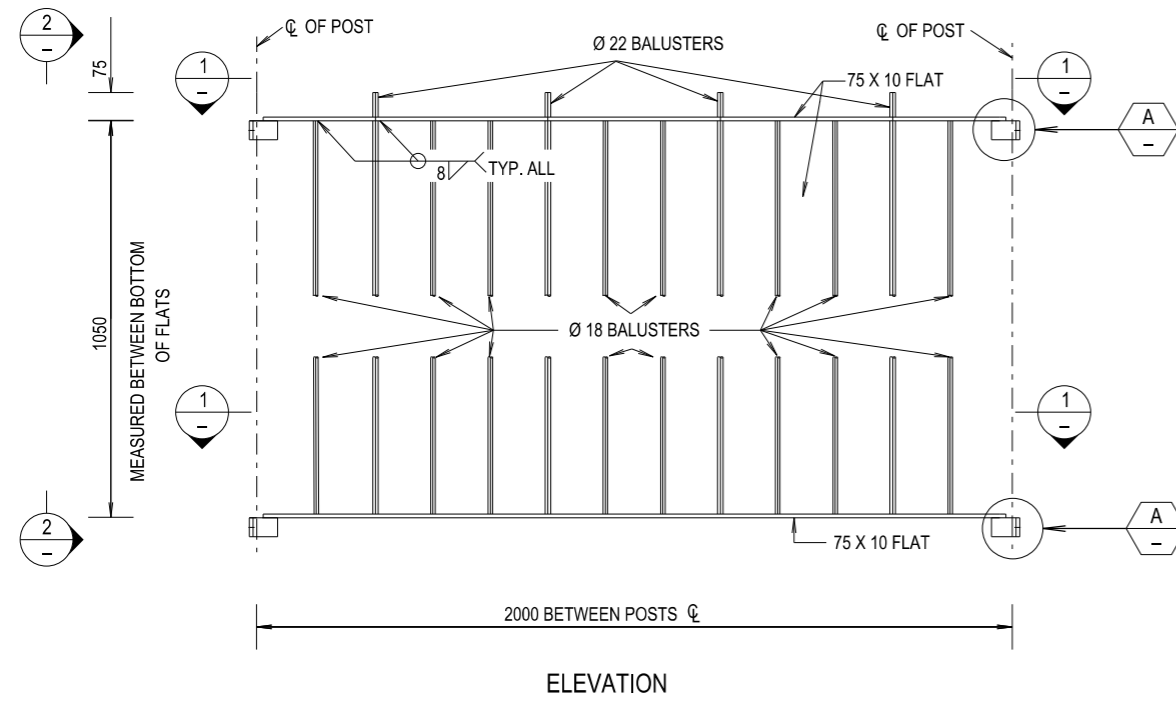


THIS DRAWING MAY BE PREPARED IN COLOUR AND MAY BE INCOMPLETE IF COPIED



QR CODE SCAN TO CHECK DOCUMENT VER.		REV	DATE	AMENDMENT / REVISION DESCRIPTION	WVR No.	APPROVAL	ALL DIMENSIONS ARE IN MILLIMETRES UNLESS OTHERWISE SHOWN	CONTACT DETAILS SEND FEEDBACK ON THIS STANDARD DRAWING TO : technologystandards@rms.nsw.gov.au	ISSUED SFR MANAGER ROAD POLICY, SPECIFICATIONS & TECHNOLOGY DATE 20.01.17	NSW GOVERNMENT Transport Roads & Maritime Services	STANDARD DRAWING ROAD DESIGN ENGINEERING R0800 FENCING SERIES PEDESTRIAN FENCE TYPE 2 - MEDIAN STANDARD DRAWING No. R0800-18	A3
0 5 10 15 20 25 30 35 40 45 50mm ON A3 SIZE ORIGINAL							SCALES ON A3 SIZE DRAWING			PREPARED BY ENGINEERING SERVICES ROAD POLICY, SPECIFICATIONS AND AND TECHNOLOGY	REVISIONS STATUS ISSUED EDMS No. DS2014/006005 ORIGINAL ISSUE DATE JANUARY 2017	SHEET 1 OF 1 REV. -