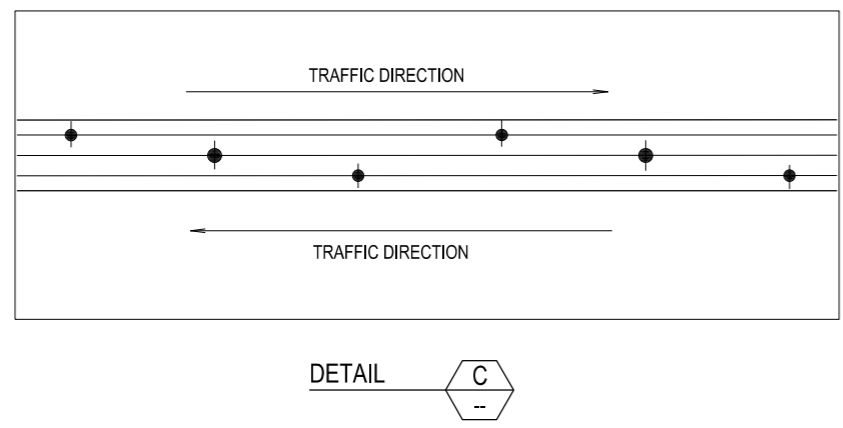
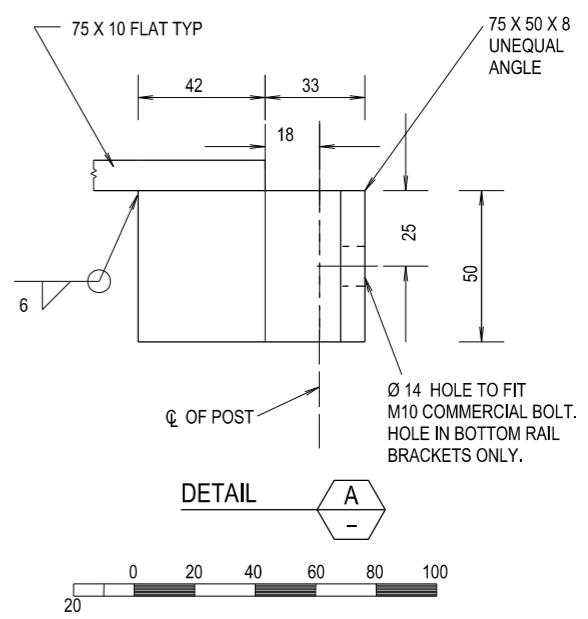
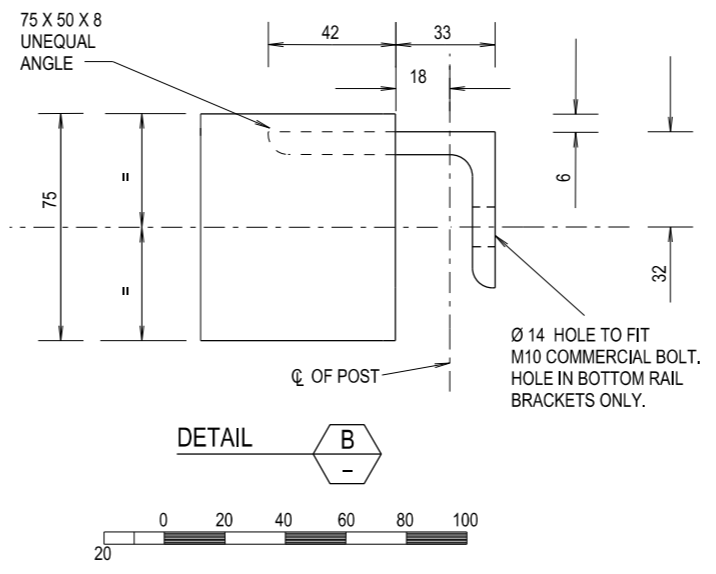
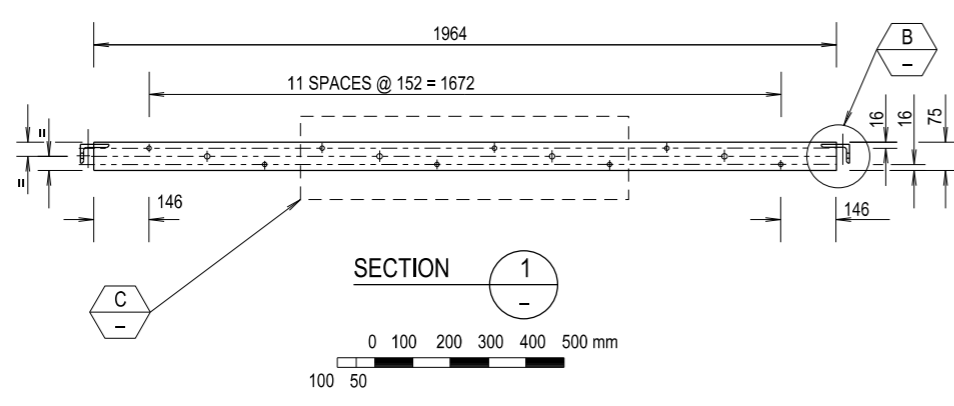
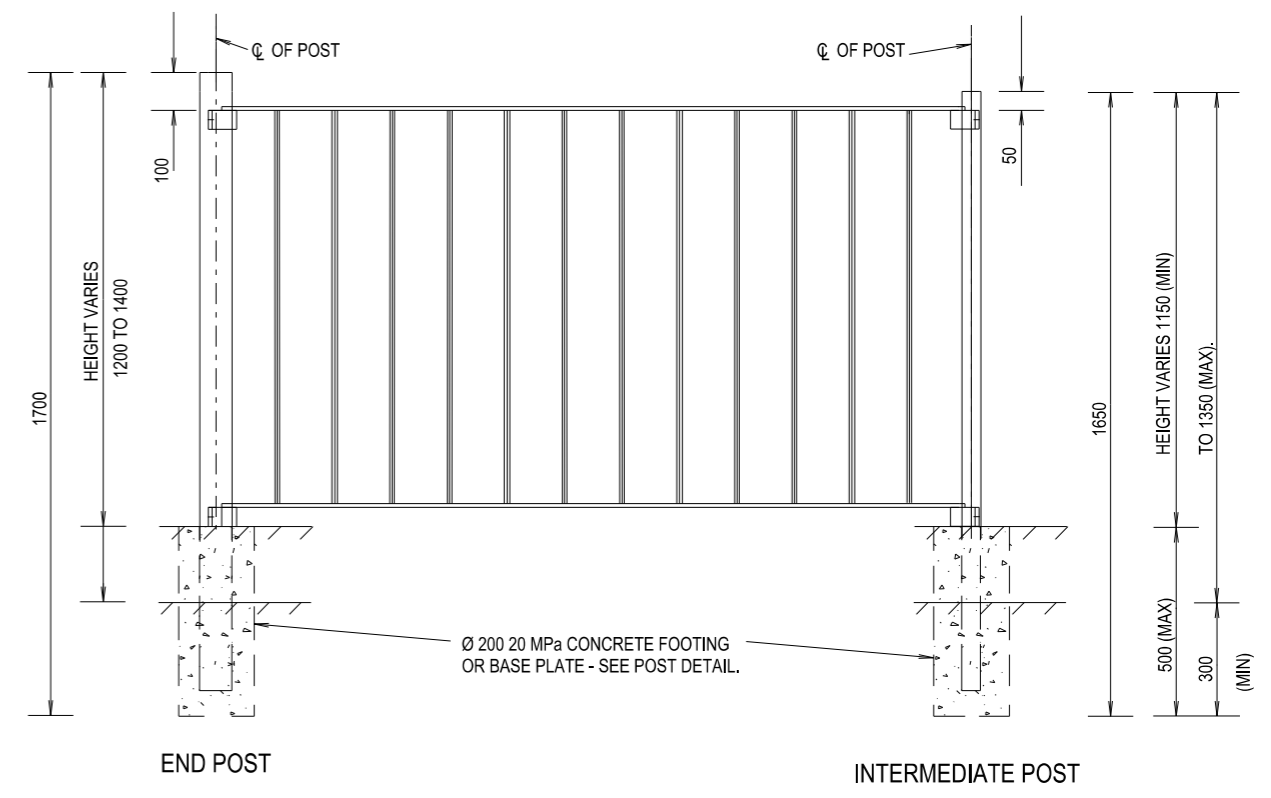
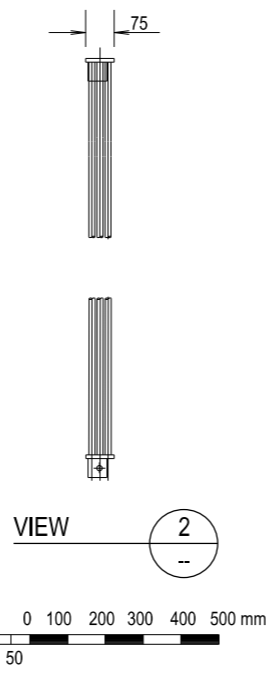
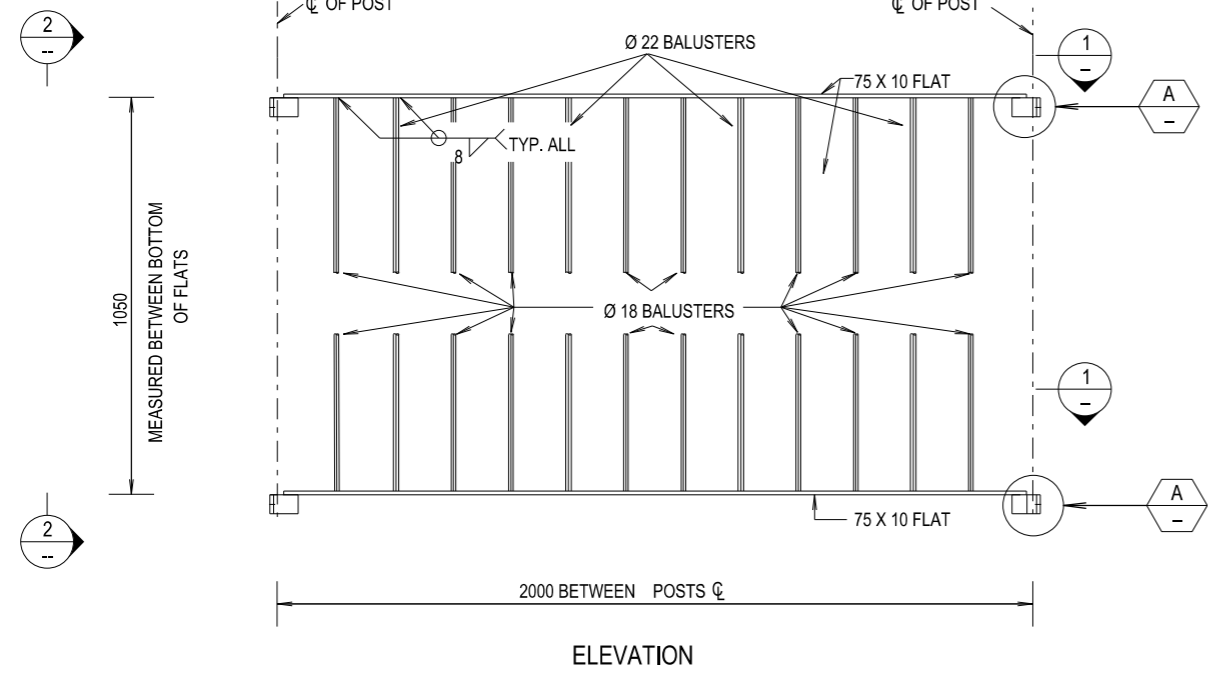


THIS DRAWING MAY BE PREPARED IN COLOUR AND MAY BE INCOMPLETE IF COPIED



QR CODE			SCAN TO CHECK DOCUMENT VER.			ALL DIMENSIONS ARE IN MILLIMETRES UNLESS OTHERWISE SHOWN			ISSUED			STANDARD DRAWING		
REV			DATE			SCALES ON A3 SIZE DRAWING			SFR			ROAD DESIGN ENGINEERING		
AMENDMENT / REVISION DESCRIPTION			WVR No.			CONTACT DETAILS			MANAGER ROAD POLICY, SPECIFICATIONS & TECHNOLOGY			R0800 FENCING SERIES		
						SEND FEEDBACK ON THIS STANDARD DRAWING TO : technologystandards@rms.nsw.gov.au			DATE 20.01.17			PEDESTRIAN FENCE		
									PREPARED BY			TYPE 1 - MEDIAN		
									ENGINEERING SERVICES			SHEET 1 OF 1		
									ROAD POLICY, SPECIFICATIONS AND TECHNOLOGY			R0800-16		
									STATUS			REV.		
									ISSUED			-		
									EDMS No.			ORIGINAL ISSUE DATE		
									DS2014/006003			JANUARY 2017		
												© Roads and Maritime Services		