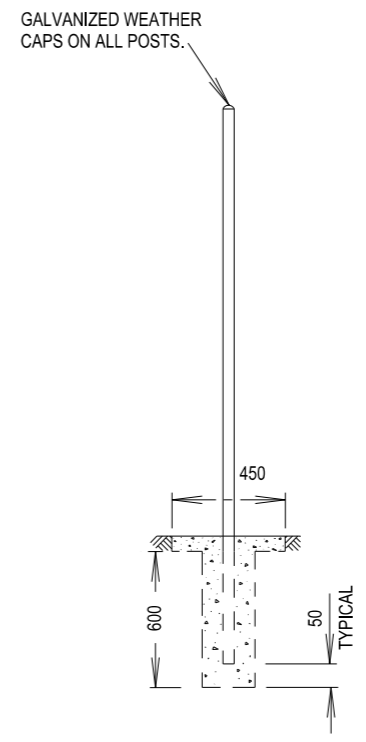
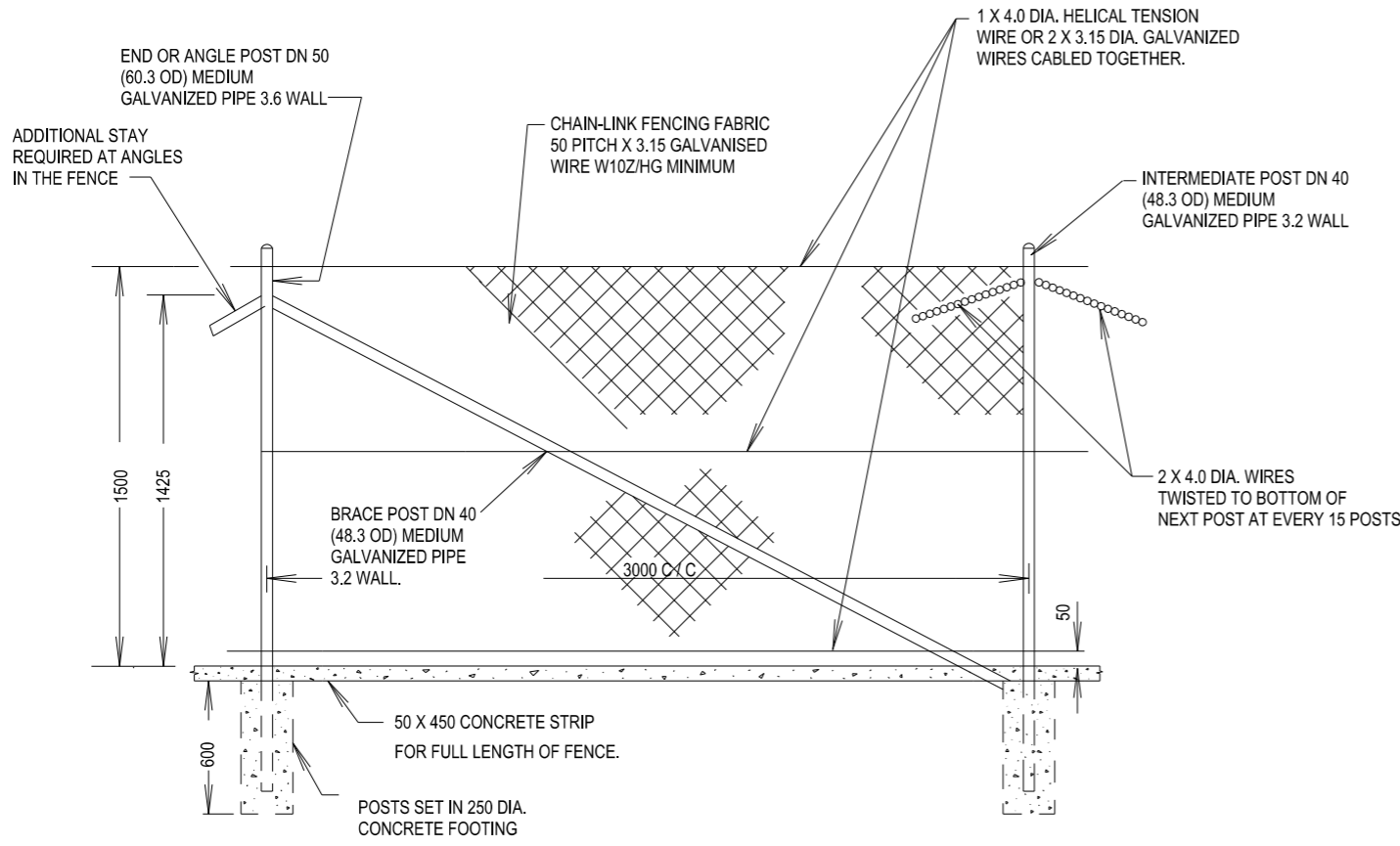


THIS DRAWING MAY BE PREPARED IN COLOUR AND MAY BE INCOMPLETE IF COPIED



URBAN CONTROLLED ACCESS ROAD FENCING PANEL

SECTION THROUGH INTERMEDIATE POST



BOUNDARY SIGN

TO BE ERECTED AT THE FENCELINE AT THE START OF THE CONTROLLED ACCESS ROAD, SET PARALLEL TO THE ROAD CENTRELINE AND FACING THE CONTROLLED ACCESS ROAD. REPEATER SIGNS 500 X 200 TO BE AT APPROXIMATELY 2 km INTERVALS AND TO OMIT LEGEND "FOR NEXT - km".

NOTES

- FENCING MATERIALS ARE TO BE USED IN ACCORDANCE WITH THE SPECIFICATION - R 201.
- ALL CONCRETE TO BE 20 MPa.
- JOINTS TO BE WELDED AND PAINTED WITH A ZINC RICH PRIMER.
- FOR VEHICULAR GATE DETAIL REFER TO DS2014/005993
- SPECIAL REQUIREMENTS MAY APPLY TO THE ERECTION PROCEDURES FOR FENCES INSTALLED NEAR HIGH VOLTAGE TRANSMISSION LINES. THE RELEVANT ELECTRICITY AUTHORITY SHOULD BE CONTACTED PRIOR TO THE INSTALLATION OF THE FENCE.

ALL DIMENSIONS ARE IN MILLIMETRES UNLESS OTHERWISE SHOWN

QR CODE	SCAN TO CHECK DOCUMENT VER.	REV	DATE	AMENDMENT / REVISION DESCRIPTION	WVR No.	APPROVAL	SCALES ON A3 SIZE DRAWING	CONTACT DETAILS	ISSUED	DATE	PREPARED BY	STANDARD DRAWING No.	REV.
								SEND FEEDBACK ON THIS STANDARD DRAWING TO : technologystandards@rms.nsw.gov.au	SFR	20.01.17	ENGINEERING SERVICES ROAD POLICY, SPECIFICATIONS AND AND TECHNOLOGY	R0800-07	-
												DS2014/005992	JANUARY 2017



STANDARD DRAWING
 ROAD DESIGN ENGINEERING
 R0800 FENCING SERIES
 URBAN CONTROLLED ACCESS ROAD
 BOUNDARY FENCING (1.5m HIGH) SHEET 1 OF 1

© Roads and Maritime Services