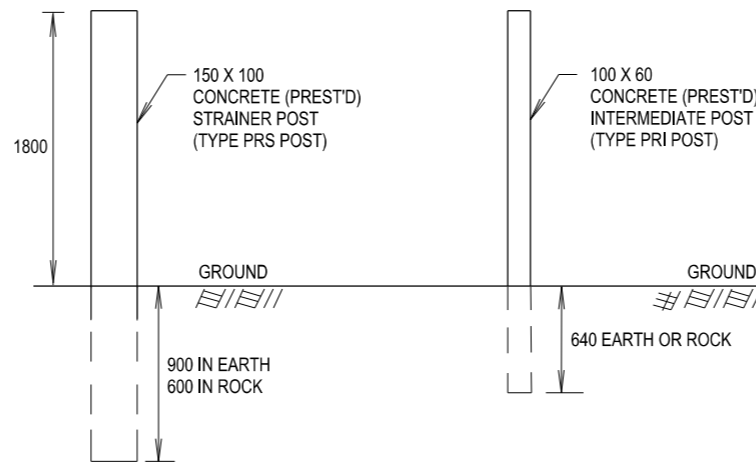
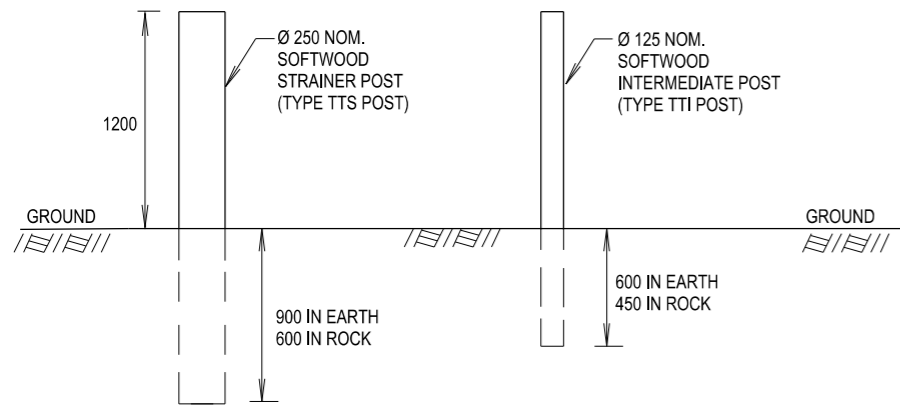


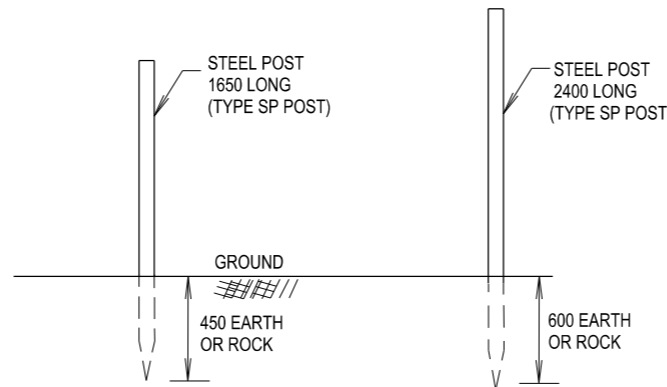
PRESTRESSED CONCRETE POSTS



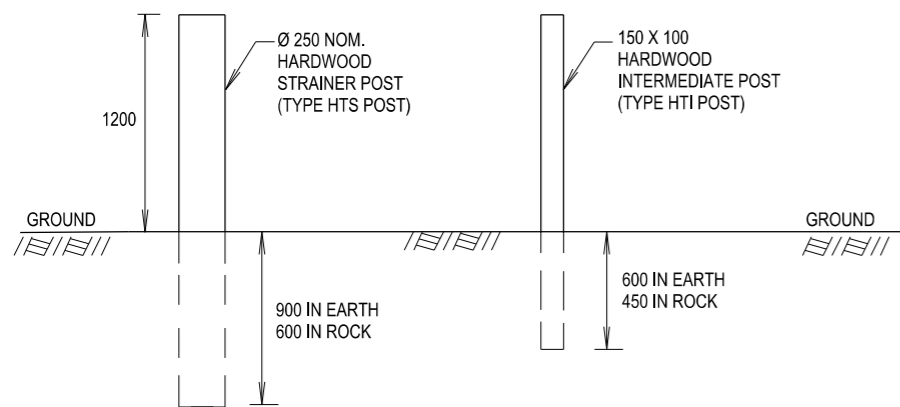
1800 HIGH PRESTRESSED CONCRETE POSTS



SOFTWOOD POSTS

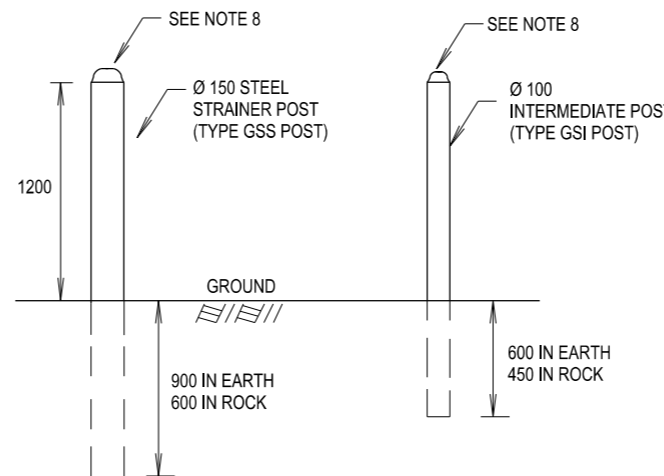


STAR PICKET STEEL POSTS



HARDWOOD POSTS

(FOR SPLIT HARDWOOD INTERMEDIATE POSTS REFER TO NOTE 12)



GALVANIZED STEEL POSTS

NOTES

- DRILLING OF POSTS SHALL BE TO SUIT SPACING OF WIRES FOR EACH FENCE TYPE.
- FOR DETAILS OF PANEL AND FENCE TYPES SEE DS2014\_005987
- FENCES ARE TO BE CONSTRUCTED IN ACCORDANCE WITH THE SPECIFICATION - R201.
- STRAINER POSTS MUST BE USED AT :-
  - ENDS OF FENCING
  - ANGLES IN FENCING
  - ABRUPT CHANGES IN GRADE
  - INTERSECTIONS WITH OTHER FENCING
  - GATES AND OTHER INTERMEDIATE POINTS ALONG A STRAIGHT FENCE LINE WHICH MUST NOT EXCEED 120 m (90 m FOR RETENTION OF CATTLE).
- STRAINER POST MUST BE BRACED AGAINST AN INTERMEDIATE POST IN 2 DIRECTIONS FOR ALL CASES, EXCEPT FOR ENDS OF FENCES AND GATES WHERE ONLY 1 DIRECTION IS SUITABLE.
- FOR METHOD OF ERECTING POSTS IN EARTH OR ROCK SEE SPECIFICATION - R201
- BRACES ARE TO BE CUT TO SUIT BY CONTRACTOR.
- ANY CUT STEEL SURFACES SHALL BE PAINTED WITH AN APPROVED ZINC RICH PRIMER PRIOR TO THEIR INSTALLATION AND A GALVANIZE STEEL CAP FITTED TO THE TOP OF EACH TUBULAR POST.
- DIMENSIONS SHOWN BELOW GROUND ARE MINIMUM DEPTHS.
- DEPTHS SHOWN FOR ROCK FOOTINGS FOR CONCRETE, TREATED TIMBER OR STEEL POSTS WILL ONLY BE PERMITTED IN CASES WHERE THESE POSTS ARE MANUFACTURED AND SUPPLIED TO THE CORRECT LENGTH, OTHERWISE THE DEPTH OF SINKING MUST BE THE SAME AS FOR EARTH.
- SAWN HARDWOOD INTERMEDIATE POSTS SHALL BE 150 X 100.
- SPLIT HARDWOOD INTERMEDIATE POSTS SHALL BE FOUR SIDED WITH NO AVERAGE CROSS SECTIONAL DIMENSION LESS THAN 100 mm AND NO OUTSIDE DIMENSION LESS THAN 65 mm. CROSS SECTIONAL AREA SHALL NOT BE LESS THAN 18 000 mm<sup>2</sup>.
- CYPRESS PINE POSTS SHALL BE ROUND AND HAVE A MINIMUM DIAMETER AT THE SMALL END OF 140.
- STAR PICKET STEEL POSTS TO BE GALVANISED. MINIMUM MASS OF 320 STAR PICKETS, 1650 IN LENGTH, IS TO BE 1 TONNE.
- FENCING MATERIALS ARE TO BE IN ACCORDANCE WITH THE SPECIFICATION - R 201.
- TYPICAL POST TERMINOLOGY:
  - PRESTRESSED CONCRETE POSTS - (PRS / PRI)
  - GALVANIZED STEEL POSTS - (GSS / GSI)
  - SOFTWOOD POSTS - (TTS / TTI)
  - HARDWOOD POSTS - (HTS / HTI)
  - STAR PICKET POSTS AS LINE POSTS - (SP)
- SPECIAL REQUIREMENTS MAY APPLY TO THE ERECTION PROCEDURES FOR FENCES INSTALLED NEAR HIGH VOLTAGE TRANSMISSION LINES. THE RELEVANT ELECTRICITY AUTHORITY SHOULD BE CONTACTED PRIOR TO THE INSTALLATION OF THE FENCE.

THIS DRAWING MAY BE PREPARED IN COLOUR AND MAY BE INCOMPLETE IF COPIED

QR CODE			SCAN TO CHECK DOCUMENT VER.			REV. DATE			AMENDMENT / REVISION DESCRIPTION			WVR No. APPROVAL			ALL DIMENSIONS ARE IN MILLIMETRES UNLESS OTHERWISE SHOWN			CONTACT DETAILS			ISSUED			STANDARD DRAWING			A3		
50mm ON A3 SIZE ORIGINAL			20			15			10			5			0			SEND FEEDBACK ON THIS STANDARD DRAWING TO : technologystandards@rms.nsw.gov.au			SFR			Transport Roads & Maritime Services			ROAD DESIGN ENGINEERING		
5			10			15			20			25			30			DATE 20.01.17			MANAGER ROAD POLICY, SPECIFICATIONS & TECHNOLOGY			NSW GOVERNMENT			R0800 FENCING SERIES		
10			15			20			25			30			35			DATE 20.01.17			PREPARED BY ENGINEERING SERVICES ROAD POLICY, SPECIFICATIONS AND AND TECHNOLOGY			RURAL ROAD BOUNDARY FENCING			SHEET 1 OF 1		
15			20			25			30			35			40			DATE 20.01.17			EDMS No. DS2014/005986			ORIGINAL ISSUE DATE JANUARY 2017			REV. -		
20			25			30			35			40			45			DATE 20.01.17			© Roads and Maritime Services			STANDARD DRAWING No. R0800-01			STATUS ISSUED		